



AIR BLIND RIVETING GUN PDBNP 14 B1

(GB) (IE) (NI)

AIR BLIND RIVETING GUN

Translation of the original instructions

(NL) (BE)

PERSLUCHT-BLINDNIETPISTOOL

Vertaling van de originele gebruiksaanwijzing

(FR) (BE)

PISTOLET PNEUMATIQUE POUR RIVETS AVEUGLES

Traduction des instructions d'origine

(DE) (AT) (CH)

DRUCKLUFT-BLINDNIETPISTOLE

Originalbetriebsanleitung

IAN 315471



GB IE NI

Before reading, unfold the page containing the illustrations and familiarise yourself with all functions of the device.

FR BE

Avant de lire le mode d'emploi, ouvrez la page contenant les illustrations et familiarisez-vous ensuite avec toutes les fonctions de l'appareil.

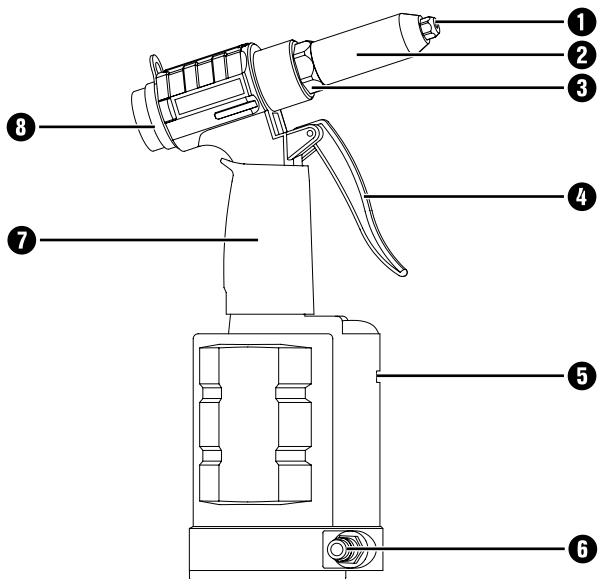
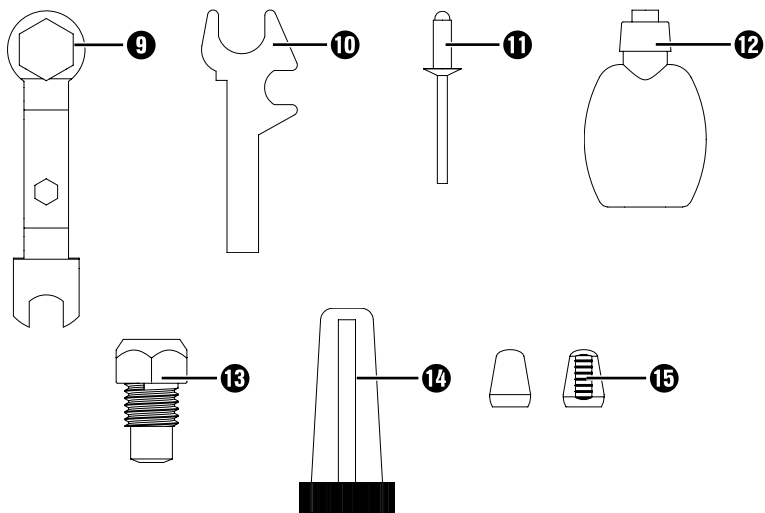
NL BE

Vouw vóór het lezen de pagina met de afbeeldingen open en maak u vertrouwd met alle functies van het apparaat.

DE AT CH

Klappen Sie vor dem Lesen die Seite mit den Abbildungen aus und machen Sie sich anschließend mit allen Funktionen des Gerätes vertraut.

GB/IE/NI	Translation of the original instructions	Page	1
FR/BE	Traduction des instructions d'origine	Page	13
NL/BE	Vertaling van de originele gebruiksaanwijzing	Pagina	27
DE/AT/CH	Originalbetriebsanleitung	Seite	41

A**B**

Contents

Introduction	2
Intended use	2
Operating components (fig. A)	2
Accessories (Fig. B)	2
Package contents	2
Technical data	2
General safety warnings for compressed air tools	3
Hazards caused by flying parts	3
Hazards during operation	4
Hazards caused by repetitive movements	4
Hazards caused by accessories	4
Hazards in the workplace	4
Risks due to noise	4
Hazards caused by vibrations	5
Additional safety instructions for pneumatic machines	5
Before use	5
Lubrication	5
Refilling oil	5
Connecting to a compressed air source	6
Use	6
Maintenance and cleaning	7
Changing the gripper jaws	7
Troubleshooting	9
Disposal	10
Kompernass Handels GmbH warranty	10
Service	11
Importer	11
Translation of the original Conformity Declaration	12

AIR BLIND RIVETING GUN PDBNP 14 B1





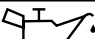
Introduction

Congratulations on the purchase of your new appliance. You have chosen a high-quality product. The operating instructions are part of this product. They contain important information about safety, usage and disposal. Before using the product, please familiarise yourself with all operating and safety instructions. Use the product only as described and for the range of applications specified. Please also pass these operating instructions on to any future owner.

Intended use

The pneumatic pop rivet gun is used to join suitable materials with a rivet joint. Any other usage or modification of the appliance is deemed to be improper and carries a significant risk of accidents. The manufacturer accepts no responsibility for damage(s) resulting from improper usage. This tool is intended for domestic use only.

Symbols on the compressed air tool:

	Read the operating instructions before use.
	Wear a dust mask.
	Always wear eye protection when using or maintaining the rivet gun.
	Always wear hearing protection.
	Oil regularly.

Operating components (fig. A)

(For illustrations see fold-out pages)

- ❶ Mouthpiece (4.8 mm pre-fitted)
- ❷ Front connector
- ❸ Hexagonal socket on the front connector
- ❹ Trigger
- ❺ Lubricant opening
- ❻ Connecting nipple
- ❼ Handle
- ❽ Thread for the pin collector

Accessories (Fig. B)

- ❾ Assembly spanner 10 | 15 | 24 mm
- ❿ Assembly spanner 14 | 19 mm
- ⓫ 4 × 20 rivets (2.4 – 3.2 – 4.0 – 4.8 mm)
- ⓬ Oil container
- ⓭ 3 spare mouthpieces (2.4 – 3.2 – 4.0 mm)
- ⓮ Pin collector with attachment ring
- ⓯ 2 × spare gripper jaws

Package contents

- 1 air blind riveting gun
- 4 mouthpieces (2.4 – 3.2 – 4.0 – 4.8 mm)
- 2 assembly spanners
- 1 connecting nipple (pre-fitted)
- 20 rivets each (2.4 – 3.2 – 4.0 – 4.8 mm)
- 1 oil container
- 1 pin collector
- 2 gripper jaws
- 1 carrying case
- 1 set of operating instructions

Technical data

- Working pressure: max. 6.3 bar
- Air consumption: 127 l/min (average)
- Stroke length: 17 mm
- Traction: min. 7,050 N
- Compressed air supply: 1/4"

Noise emission value:

Noise measurement determined in accordance with ISO 15744.

The rated noise level of the tool is typically:

Sound pressure level:	$L_{pA} =$	76.1	dB (A)
Uncertainty:	$K_{pA} =$	3	dB
Sound power level:	$L_{WA} =$	87.1	dB (A)
Uncertainty:	$K_{WA} =$	3	dB

Wear hearing protection!

Total vibration value:

Vibration values determined in accordance with ISO 28927-6 and EN 12096:

Vibration emission value $a_h \leq 0.85 \text{ m/s}^2$

Uncertainty $K_h = 0.59 \text{ m/s}^2$

NOTE

► The noise emission levels and vibration values specified in these instructions have been measured in accordance with the corresponding standardised measuring procedure and can be used to make equipment comparisons. The noise emission levels and vibration values vary depending on the use of the compressed air tool and may be higher than the values specified in these instructions in some cases. It is easy to underestimate the noise emission levels and vibration values if the compressed air tool is used regularly in this manner.



General safety warnings for compressed air tools

⚠ WARNING!

► For multiple hazards: Please ensure that you have read and understood the safety information before setting up, operating, repairing, maintaining and replacing accessories on the machine and before working in the vicinity of the machine for threadless fasteners. Failure to do this can result in serious bodily injury.

- The machine should only be set up, adjusted or used by suitably qualified and trained operators.
- This machine for threadless fasteners may not be modified in any way. Modifications can reduce the effectiveness of the safety measures and increase the risks for the operator.
- The safety instructions should not be lost – give them to the operator.
- Never use damaged machines for threadless fasteners.
- The appliance must be inspected regularly to ensure that it is labelled with the required rated values and markings given in this manual. The user must contact the manufacturer to obtain replacement labels if necessary.

Hazards caused by flying parts

- Disconnect the machine for threadless fasteners from the power supply before replacing the machine tool or accessories.
- If a workpiece or accessory or even part of the machine tool itself breaks, parts can be flung off at high speeds.
- Always wear impact-resistant eye protection when operating the machine. The level of protection required should be assessed separately for each use.
- In this case, the risks for others should also be assessed.
- You must ensure that the workpiece has been securely fixed in place.
- Check whether protection against ejection of fastening elements and/or rivet shafts is available and effective.

Hazards during operation

- When using the machine, the operator's hands may be exposed to hazards such as crushing, impact, cuts, abrasions and heat. Wear suitable gloves to protect your hands.
- The operator and maintenance personnel must be physically capable of handling the size, mass and power of the machine.
- Hold the machine correctly: Be ready to counteract any normal or sudden movements – keep both hands ready.
- Ensure that your body is balanced and that you have a secure standing position.
- Release the start/stop control in case of a disruption to the electricity supply.
- Use only the lubricants recommended by the manufacturer.
- Avoid inappropriate postures as these postures are likely to make it impossible to respond to normal or unexpected movements of the machine.
- If the machine for threadless fasteners is attached to a suspension device, the attachment must be secured,
- There is a risk of crushing if the equipment is not attached to the machine head.

Hazards caused by repetitive movements

- When using a machine for threadless fasteners, operators may experience uncomfortable sensations in their hands and arms, as well as in the neck and shoulders or other parts of the body.
- When using a machine for threadless fasteners, the operator should adopt a comfortable posture. Ensure that you have a secure foothold and avoid unfavourable postures or postures in which it is difficult to maintain balance. The operator should change positions during the course of long-lasting tasks. This can be helpful for the prevention of discomfort and fatigue.
- If the operator notices symptoms such as persistent or recurring illness, discomfort, throbbing, pain, tingling, burning or stiffness, these indications should not be ignored. The operator should consult a suitably qualified physician.

Hazards caused by accessories

- Disconnect the machine for threadless fasteners from the power supply before replacing the machine tool or accessories.
- Use only accessories and consumables of the sizes and types recommended by the manufacturer of the machine for threadless fasteners; do not use any other types or sizes of accessories or consumables.

Hazards in the workplace

- Slipping, tripping and falling are the main causes of injuries in the workplace. Look out for surfaces which could have become slippery through use of the machine, and also any tripping hazards caused by air or hydraulic hoses.
- Proceed with caution in unknown surroundings. Hidden hazards caused by power or other supply lines may be present.
- This machine for threadless fasteners is not suitable for use in explosive environments and is not insulated against contact with power sources.
- Do not operate the appliance in the vicinity of electric mains, gas pipelines, etc. which could pose a hazard if damaged by the machine.

Risks due to noise

- Excessive noise levels in conjunction with insufficient hearing protection may lead to permanent hearing damage, hearing loss and other problems, such as tinnitus (ringing, buzzing, whistling or humming in your ears).
- It is essential that a risk assessment is carried out with respect to these risks and that appropriate regulatory mechanisms are implemented.
- Suitable regulatory mechanisms include measures such as the use of insulation materials which avoid ringing noises occurring on the workpieces.
- Use ear protection equipment as per the instructions provided by your employer or as required by health and safety regulations.
- Consumables/machine tools should be selected, maintained and replaced in accordance with the recommendations in this guide in order to avoid unnecessary increase of the noise levels.

- If the machine is equipped with a silencer, always ensure that it is fitted and that it is operational while the machine is in operation.

Hazards caused by vibrations

- Vibrations can damage the nerves and cause malfunctions to the blood circulation in the hands and arms.
- When working in a cold environment, wear warm clothing and keep your hands warm and dry.
- If you experience numbness, tingling or pain in your fingers or hands or notice that the skin of your fingers or hands has become pale, stop working with the machine for threadless fasteners, inform your employer and consult a doctor.
- A stand, tensioner or balancing device must be used to support the weight of the machine, as the operator does not have to grip the machine so tightly to hold it.

Additional safety instructions for pneumatic machines

- Compressed air can cause serious injury.
 - When the machine is not in use, and before replacing accessories or carrying out repairs, always ensure that the air supply is closed, that the air hose is not under pressure and that the machine is disconnected from the air supply.
 - Never aim the airflow towards yourself or any other person.
- Thrashing hoses can cause serious injury. Always check that the hoses and fasteners are undamaged or have not come loose.
- Cold air must be directed away from the hands.
- If universal rotary joints (claw couplings) are used, locking pins must be used to provide protection; Whipcheck® air hose restraints must be used to provide protection in case of a failure of the connection of the hose to the machine.
- Ensure that the maximum permissible pressure on the machine is not exceeded.
- Never carry compressed-air-powered machines by the hose.

Before use

NOTE

- ▶ The rivet gun may only be operated on cleaned, oil-atomised compressed air and may not exceed the maximum operating pressure of 6.3 bar at the appliance. The compressor must be fitted with a pressure reducer to regulate the working pressure.
- ▶ Note that the maximum working pressure may not be exceeded. An excessive working pressure does not mean increased output; it merely increases the air consumption and accelerates appliance wear. Always comply with the technical information.

Lubrication

NOTE

- ▶ Regular lubrication is particularly important to avoid friction and corrosion damage. We recommend using a suitable special oil for compressed air tools (e.g. Liqui Moly compressor oil).
 - **Lubrication with mist oiler**
A mist oiler (not supplied) continuously and optimally lubricates the appliance as a preparation stage after the pressure reducer. A mist oiler gives off fine drops of oil into the air flow and thus guarantees regular lubrication.
 - **Manual lubrication**
If you do not have a mist oiler, lubricate the tool before every use or any longer work sessions. To do this, drip 3–5 drops of special oil for compressed air appliances into the lubricant opening **5**.

Refilling oil

To ensure that the rivet gun remains operational for as long as possible, make sure that there is sufficient pneumatic oil in the appliance.

You have the following options:

- ◆ Attach a maintenance unit with an oiler to the compressor.
- ◆ Install a fitted oiler into the compressed air line or the compressor.

- ◆ Manually add 3–5 drops of pneumatic oil from the supplied oil container **12** into the connecting nipple **6** after every 15 minutes of operation.
- ◆ When opening the oil container **12** for the first time, remove the cap nut from the container. Use a pair of long-nosed pliers or a similar implement to remove the internal pipette.
- ◆ Turn it 180°, replace it and screw it back in place with the cap nut.
- ◆ Use a needle or similar tool to poke a small hole into the tip of the pipette to release oil.

Connecting to a compressed air source

NOTE

- ▶ Before connecting the compressed air source,
 - the correct working pressure (3–6 bar) must be fully reached
 - ensure that the trigger **4** is not pulled

- ◆ Pull the supply hose connector over the quick-release fastener on the connecting nipple **6** until it clicks into place.

NOTE

The compressed air source must be equipped with a pressure reducer to ensure that you can regulate the air pressure.

Use

- ◆ The appliance is ready for use as soon as the pneumatic air flow has been established.
- ◆ Screw the pin collector **14** onto the thread for the pin collector **8** at the back of the machine.
- ◆ Determine the suitable rivet size on the basis of the workpieces used.
- ◆ Use a suitable tool to drill a hole into the workpieces in the spot where the rivet **11** will be located. Make sure the diameter of the hole corresponds to the determined rivet size.

⚠ CAUTION!

- ▶ Suitable safety precautions must be taken depending on the size and nature of the workpieces. Use suitable clamping devices to prevent the workpieces from slipping.
- ▶ In the event of an interruption to the air supply, release the trigger **4** immediately.
- ▶ Before switching on the machine, make sure the machine tool is firmly placed on the surface to be processed.

- ◆ Check if the diameter of the attached mouthpiece **1** matches the mandrel diameter of the determined rivet size.
- ◆ If it does not, unscrew the front connector **2** using the assembly spanner **9**, if necessary.

⚠ CAUTION!

- ▶ Ensure that the appliance is disconnected from the compressed air source before you fit or remove the front connector **2**.
- ◆ If necessary, unscrew the mouthpiece **1** from the front connector **2** using the assembly spanner **9**. Afterwards, screw the correct spare mouthpiece **13** into the front connector **2** and tighten it.
- ◆ To attach the front connector **2**, press it onto the thread (you will feel minor resistance) and tighten it by hand.
- ◆ Tighten the front connector **2** using the assembly spanner **9**.
- ◆ Reconnect the appliance to the compressed air supply.
- ◆ Place the rivet body in the drill hole.
- ◆ Slide the appliance over the rivet **11** until the mandrel is fully inserted into the mouthpiece **1**.
- ◆ Pull the trigger **4**. The mandrel is pulled into the device, detached from the rivet body and the rivet joint is established permanently. If necessary, repeat the process until the mandrel has been fully separated from the rivet body.

NOTE

You will need to tip the appliance to the rear to get the mandrel into the waste collector **14**.

- ◆ Proceed in the same way with the other rivets **11**.
- ◆ Empty the pin collector **14** regularly.
- ◆ When you have finished working, disconnect the appliance from the compressed air source.

Maintenance and cleaning



WARNING! RISK OF INJURY! Disconnect the appliance from the compressed air supply.

CAUTION!

- ▶ Before maintenance, clean off any hazardous substances that may (due to working processes) have accumulated on the appliance. Avoid all skin contact with these substances. If the skin comes into contact with hazardous dusts, this can lead to severe dermatitis.
- ▶ The dust and vapours produced by using the appliance can be hazardous to health (e.g. cause cancer, birth defects, asthma and/or dermatitis); it is essential to carry out a risk assessment in respect of these risks and to implement corresponding regulatory mechanisms.

NOTE

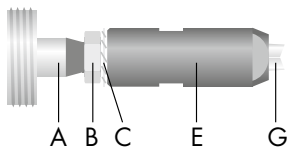
To ensure correct functioning and long-term durability of the rivet gun, pay attention to the following points:

- Sufficient and continuously intact oil lubrication is highly important for optimum functioning.
- Use only the genuine replacement parts recommended by the manufacturer, otherwise you could put users at danger. In doubt, contact the Service Centre.
- Use only accessories and supplies of the sizes and types recommended by the manufacturer of the rivet gun.
- Only clean the appliance with a soft, dry cloth or with compressed air.
- Never use sharp or scratchy cleaning agents under any circumstances.

Changing the gripper jaws

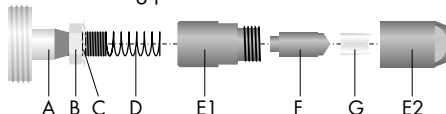
Friction can wear out the gripper jaws **15**. If this happens, replace the worn gripper jaws **15** with the supplied spare gripper jaws **15** as follows.

- ◆ Unscrew the front connector **2** using the assembly spanner **9**, if necessary. This gives you access to the following parts:



A	Appliance shaft
B	Lock nut
C	Lock washer
E	Two-piece metal cone
G	Gripper jaws

- ◆ Unscrew the two-piece metal cone (E) holding the gripper jaws (G) from the shaft (A), using the two assembly spanners **9** and **10** if necessary.
- ◆ Using both assembly spanners, **9** and **10**, unscrew the front piece of the metal cone from the back piece (E2, E1). This gives you access to the following parts:



A	Appliance shaft
B	Lock nut
C	Lock washer
D	Spring
E1	Back piece of the metal cone
F	Expanding mandrel
G	Gripper jaws
E2	Front piece of the metal cone

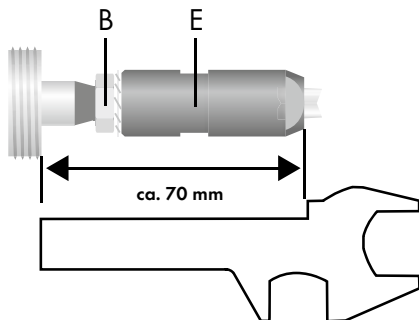
- ◆ Remove the expanding mandrel (F) and the worn gripper jaws (G) from the front piece of the metal cone (E2).

- ◆ Place the new gripper jaws (G) into the front piece of the metal cone (E2) such that the narrow ends protrude from its opening.

NOTE

Both gripper jaws (G) must protrude from the opening flush with each other. We recommend that you hold the front piece of the metal cone (E2) vertically, with the gripper jaws (G) pointing downward.

- ◆ Insert the expanding mandrel (F) such that its tips are inside the notch formed by the rear ends of the gripper jaws (G).
- ◆ Using both assembly spanners, **9** and **10**, screw the front and back piece of the metal cone (E2, E1) together.
- ◆ Screw the metal cone (E) back onto the appliance shaft (A) and tighten it using the assembly spanner **9**. Use the assembly spanner **10** to lock the lock nut (B).
- ◆ After installing the metal cone (E), check the distance between the thread and metal cone (E). It should be approximately 70 mm. You can use the assembly spanner **10** as a measuring aid. If necessary, adapt the measurement by adjusting the lock nut (B).



- ◆ To attach the front connector **2**, press it onto the thread (you will feel minor resistance) and tighten it by hand.
- ◆ Tighten the front connector **2** using the assembly spanner **9**.

Troubleshooting

Fault	Possible cause	Remedy
Riveting power too low, some air escapes from the outlet.	Moving parts jammed due to dirt.	Check the pressure supply filter for contamination.
	Pressure supply too low.	Check the pressure supply filter for contamination.
		Lubricate the tool as described in the instructions.
		If necessary, repeat the steps outlined above.
Appliance does not work; compressed air escapes completely through the outlet.	Moving parts are jammed due to material build-up.	Lubricate the tool as described in the instructions.

Disposal

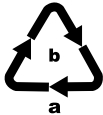


The packaging consists of environmentally friendly material.

It can be disposed of in the local recycling containers.

Do not dispose of the appliance in the normal domestic waste!

Your local community or municipal authorities can provide information on how to dispose of the worn-out appliance.



Dispose of the packaging in an environmentally friendly manner.

Note the labelling on the packaging and separate the packaging material components for disposal if necessary.

The packaging material is labelled with abbreviations (a) and numbers (b) with the following meanings:

1–7: Plastics,

20–22: Paper and cardboard,

80–98: Composites



Your local community or municipal authorities can provide information on how to dispose of the worn-out product.

Kompernass Handels GmbH warranty

Dear Customer,

This appliance has a 3-year warranty valid from the date of purchase. If this product has any faults, you, the buyer, have certain statutory rights. Your statutory rights are not restricted in any way by the warranty described below.

Warranty conditions

The validity period of the warranty starts from the date of purchase. Please keep your original receipt in a safe place. This document will be required as proof of purchase.

If any material or production fault occurs within three years of the date of purchase of the product, we will either repair or replace the product for you at

our discretion. This warranty service is dependent on you presenting the defective appliance and the proof of purchase (receipt) and a short written description of the fault and its time of occurrence.

If the defect is covered by the warranty, your product will either be repaired or replaced by us. The repair or replacement of a product does not signify the beginning of a new warranty period.

Warranty period and statutory claims for defects

The warranty period is not prolonged by repairs effected under the warranty. This also applies to replaced and repaired components. Any damage and defects present at the time of purchase must be reported immediately after unpacking. Repairs carried out after expiry of the warranty period shall be subject to a fee.

Scope of the warranty

This appliance has been manufactured in accordance with strict quality guidelines and inspected meticulously prior to delivery.

The warranty covers material faults or production faults. The warranty does not extend to product parts subject to normal wear and tear or fragile parts such as switches, batteries, baking moulds or parts made of glass.

The warranty does not apply if the product has been damaged, improperly used or improperly maintained. The directions in the operating instructions for the product regarding proper use of the product are to be strictly followed. Uses and actions that are discouraged in the operating instructions or which are warned against must be avoided.

This product is intended solely for private use and not for commercial purposes. The warranty shall be deemed void in cases of misuse or improper handling, use of force and modifications / repairs which have not been carried out by one of our authorised Service centres.

Warranty claim procedure

To ensure quick processing of your case, please observe the following instructions:

- Please have the till receipt and the item number (e.g. IAN 315471) available as proof of purchase.
- You will find the item number on the type plate, an engraving on the front page of the instructions (bottom left), or as a sticker on the rear or bottom of the appliance.
- If functional or other defects occur, please contact the service department listed either by **telephone** or by **e-mail**.
- You can return a defective product to us free of charge to the service address that will be provided to you. Ensure that you enclose the proof of purchase (till receipt) and information about what the defect is and when it occurred.

NOTE

- ▶ For Parkside and Florabest tools, please send us only the defective item without the accessories (e.g. battery, storage case, assembly tools, etc.).



You can download these instructions along with many other manuals, product videos and software on www.lidl-service.com.

Service

GB Service Great Britain

Tel.: 0800 404 7657

E-Mail: kompennass@lidl.co.uk

IE Service Ireland

Tel.: 1890 930 034

(0,08 EUR/Min., (peak))

(0,06 EUR/Min., (off peak))

E-Mail: kompennass@lidl.ie

IAN 315471

Importer

Please note that the following address is not the service address. Please use the service address provided in the operating instructions.

KOMPENASS HANDELS GMBH

BURGSTRASSE 21

DE-44867 BOCHUM

GERMANY

www.kompennass.com

Translation of the original Conformity Declaration

We, KOMPERNASS HANDELS GMBH, documents officer: Mr Semi Uguzlu, BURGSTR. 21, DE - 44867 BOCHUM, GERMANY, hereby declare that this product complies with the following standards, normative documents and EC directives:

Machinery Directive (2006/42/EC)

Applied harmonised standards:

EN ISO 11148-1: 2011

Type designation of machine:

AIR BLIND RIVETING GUN PDBNP 14 B1

Year of manufacture: 02-2019

Serial number: IAN 315471

Bochum, 08/01/2019



Semi Uguzlu

- Quality Manager -

We reserve the right to make technical changes in the context of further product development.

Table des matières

Introduction	14
Utilisation conforme à l'usage prévu	14
Éléments de commande (fig. A)	14
Accessoires (fig. B)	14
Matériel livré	14
Caractéristiques techniques	14
Avertissements de sécurité généraux pour les outils pneumatiques	15
Risques engendrés par des pièces projetées	16
Risques en service	16
Risques engendrés par des mouvements répétitifs	16
Risques engendrés par les accessoires	16
Risques au poste de travail	17
Risques engendrés par le bruit	17
Risques engendrés par les vibrations	17
Instructions de sécurité supplémentaires pour les machines pneumatiques	17
Avant la mise en service	18
Lubrification	18
Rajout d'huile	19
Raccordement à une source d'air comprimé	19
Utilisation	19
Entretien et nettoyage	20
Changer les mâchoires	21
Dépannage	22
Mise au rebut	23
Garantie de Kompernass Handels GmbH	23
Service après-vente	24
Importateur	24
Traduction de la déclaration de conformité originale	25

PISTOLET PNEUMATIQUE POUR RIVETS AVEUGLES PDBNP 14 B1






Introduction

Nous vous félicitons pour l'achat de votre nouvel appareil. Vous venez ainsi d'opter pour un produit de grande qualité. Le mode d'emploi fait partie de ce produit. Il contient des remarques importantes concernant la sécurité, l'usage et la mise au rebut. Avant d'utiliser le produit, veuillez vous familiariser avec toutes les consignes d'utilisation et de sécurité. N'utilisez le produit que conformément aux consignes et pour les domaines d'utilisation prévus. Si vous cédez le produit à un tiers, remettez-lui également tous les documents.

Utilisation conforme à l'usage prévu

La riveteuse pneumatique est destinée à assembler des matériaux adaptés à l'aide d'un rivetage. Toute utilisation autre ou modification de l'appareil est considérée comme non conforme et s'accompagne de risques d'accident non négligeables. Nous déclinons toute responsabilité pour les dommages causés résultant d'une utilisation non conforme. L'appareil est uniquement conçu pour une utilisation privée.

Symboles sur l'outil à air comprimé :

	Veuillez lire le mode d'emploi avant la mise en service.
	Portez un masque anti-poussières.
	Lors de l'utilisation ou de la maintenance de la riveteuse pneumatique, portez toujours une protection oculaire.
	Portez toujours une protection auditive.
	Huiler régulièrement

Éléments de commande (fig. A)

(Figures : voir les volets dépliant)

- ❶ Nez de pose (4,8 mm prémonté)
- ❷ Douille avant
- ❸ Logement hexagonal de la douille avant
- ❹ Gâchette
- ❺ Orifice pour lubrifiant
- ❻ Nipple
- ❼ Poignée
- ❽ Filetage pour récupérateur de tiges

Accessoires (fig. B)

- ❾ Clé de montage 10 | 15 | 24 mm
- ❿ Clé de montage 14 | 19 mm
- ⓫ 4 × 20 rivets (2,4 - 3,2 - 4,0 - 4,8 mm)
- ⓬ Flacon d'huile
- ⓭ 3 nez de pose interchangeables (2,4 - 3,2 - 4,0 mm)
- ⓮ Récupérateur de tiges avec bague de fixation
- ⓯ 2 × mâchoires de rechange

Matériel livré

- 1 riveteuse pneumatique
- 4 nez de pose (2,4 - 3,2 - 4,0 - 4,8 mm)
- 2 clés de montage
- 1 nipple (prémonté)
- 20 rivets de chaque (2,4 - 3,2 - 4,0 - 4,8 mm)
- 1 flacon d'huile
- 1 récupérateur de tiges
- 2 mâchoires
- 1 mallette de transport
- 1 mode d'emploi

Caractéristiques techniques

- Pression de service : max. 6,3 bars
- Consommation d'air : 127 l/min (moyenne)
- Longueur de course : 17 mm
- Force de compression : min. 7 050 N
- Raccord d'air comprimé : 1/4»

Valeur d'émissions sonores :

Valeur de mesure pour le bruit déterminée conformément à ISO 15744.

Le niveau de bruit pondéré typique de l'outil est de :

Niveau de pression

acoustique : $L_{pA} = 76,1$ dB (A)

Imprécision : $K_{pA} = 3$ dB

Niveau de puissance

acoustique : $L_{WA} = 87,1$ dB (A)

Imprécision : $K_{WA} = 3$ dB

Porter une protection auditive !

Valeur totale des vibrations :

Valeurs totales des vibrations déterminées conformément à

ISO 28927-6 et EN 12096 :

Valeur d'émission de vibrations $a_h \leq 0,85$ m/s²

Imprécision $K_h = 0,59$ m/s²

REMARQUE

► Les valeurs d'émissions sonores et des vibrations indiquées dans ces instructions ont été mesurées conformément à des méthodes de mesure normées et peuvent être utilisées pour la comparaison d'appareils. Les valeurs d'émissions sonores et des vibrations vont varier en fonction de l'usage de l'outil à air comprimé et peuvent, dans certains cas, dépasser les valeurs indiquées dans ces instructions. Les valeurs d'émissions sonores et des vibrations pourraient être sous-estimées si l'outil à air comprimé est utilisé régulièrement de cette manière.



Avertissements de sécurité généraux pour les outils pneumatiques

⚠ AVERTISSEMENT !

- Concernant des risques multiples :
Les consignes de sécurité doivent avoir été lues et comprises avant l'installation, l'utilisation, la réparation, la maintenance et le remplacement d'accessoires sur la machine, ainsi qu'avant le travail à proximité de la machine pour des fixations non filetées. Dans le cas contraire, de graves blessures corporelles peuvent s'ensuivre.
- La machine doit être exclusivement installée, réglée et utilisée par du personnel qualifié et formé en conséquence.
- Cette machine pour fixations non filetées ne doit pas être modifiée. Les modifications risquent de restreindre l'efficacité des mesures de sécurité et d'augmenter les risques pour l'utilisateur.
- Les consignes de sécurité ne doivent pas se perdre : remettez-les à l'utilisateur.
- N'utilisez jamais des machines endommagées pour réaliser des fixations non filetées.
- L'appareil doit être soumis régulièrement à une inspection afin de contrôler qu'il présente bien les valeurs nominales et les marquages exigés dans ce mode d'emploi. L'utilisateur doit contacter le fabricant afin d'obtenir si besoin des plaques de remplacement.

Risques engendrés par des pièces projetées

- Débranchez la machine pour fixations non filetées de l'alimentation en énergie, avant de remplacer l'outillage machine ou l'accessoire.
- Si la pièce, des accessoires voire l'outil machine lui-même cassent, des débris risquent d'être projetés à grande vitesse.
- Lors du fonctionnement de la machine, le port d'une protection oculaire résistante aux impacts est obligatoire. Le niveau de protection nécessaire doit être évalué séparément pour chaque utilisation.
- Dans ce cas, les risques encourus par d'autres personnes doivent également être estimés.
- Il faut s'assurer que la pièce à usiner soit fixée de manière sûre.
- Il convient de veiller à ce qu'une protection contre l'éjection d'éléments de fixation et/ou de tiges de rivets soit en place et efficace.

Risques en service

- Pendant l'utilisation de la machine, les mains de l'utilisateur peuvent être exposées à des risques par exemple d'écrasements, de coups, de coupures ainsi que d'éraflures et d'échaudement. Pour vous protéger les mains, portez des gants appropriés.
- L'utilisateur ainsi que le personnel de maintenance doivent être physiquement en mesure de maîtriser la taille, la masse et la puissance de la machine.
- Tenez la machine correctement : Soyez prêt à contrer les mouvements habituels mais aussi ceux inopinés : tenez vos deux mains prêtes.
- Veillez à placer votre corps bien en équilibre et à tenir l'appareil de manière sûre.
- En cas de coupure de l'alimentation énergétique, relâchez le déclencheur servant à mettre l'appareil en marche et hors service.
- Utilisez uniquement les lubrifiants recommandés par le fabricant.

- Évitez les postures inadaptées, ces dernières rendant éventuellement impossible une réaction aux mouvements normaux ou inattendus de la machine.
- Lorsque la machine pour fixations non filetées est fixée à un dispositif de suspension, cette fixation doit être sécurisée ;
- Tenez compte du risque d'écrasement lorsque le dispositif n'est pas placé sur la tête de la machine.

Risques engendrés par des mouvements répétitifs

- Lors de l'utilisation d'une machine pour fixations non filetées, il est possible que l'utilisateur ressente des sensations désagréables dans les mains et les bras ainsi qu'au niveau des épaules et du cou, ou bien sur d'autres parties du corps.
- Lors de l'utilisation d'une machine pour fixations non filetées, l'utilisateur doit adopter une posture confortable. Veillez à un maintien sûr et évitez des postures défavorables ou celles qui ne permettent pas de garder son équilibre. L'utilisateur doit changer de posture en cas de travaux de longue durée, ce qui peut être utile afin d'éviter des désagréments et la fatigue.
- Si l'utilisateur ressent des symptômes tels que par ex. un malaise durable ou réapparaissant à plusieurs reprises, des maux, palpitations, douleurs, picotements, un engourdissement, une brûlure ou raideur, ces signes ne doivent pas être ignorés. L'utilisateur doit consulter un médecin disposant des qualifications adaptées.

Risques engendrés par les accessoires

- Avant de changer l'outil de la machine ou des accessoires, débranchez la machine pour fixations non filetées de l'alimentation énergétique.
- Utilisez exclusivement des accessoires et consommables de la taille et du type recommandés par le fabricant de la machine pour fixations non filetées ; n'utilisez aucun autre type ou taille d'accessoires et de consommables.

Risques au poste de travail

- Principales causes de blessures sur le lieu de travail : dérapage, trébuchement et chute. Faites attention aux surfaces pouvant être devenues glissantes suite à l'utilisation de la machine, et aux risques de trébucher créés par le flexible d'air comprimé ou le flexible hydraulique.
- Usez de prudence dans des environnements inconnus. Des dangers risquent d'être masqués par les lignes électriques ou des lignes/conduites d'alimentation diverses.
- Cette machine pour fixations non filetées n'est pas destinée à être utilisée dans des atmosphères explosives et n'est pas isolée contre le contact avec des sources de courant électrique.
- Assurez-vous de l'absence de toute ligne électrique, tuyauterie de gaz etc. susceptible d'entraîner un danger en cas de dommage dû à l'utilisation de la machine.

Risques engendrés par le bruit

- L'effet d'un niveau sonore élevé peut, en cas de protection auditive insuffisante, provoquer des lésions auditives, une perte d'acuité auditive ainsi que d'autres problèmes comme par ex. des acouphènes (sonneries, sifflements, bourdonnements ou ronronnements dans les oreilles).
- C'est la raison pour laquelle il est indispensable de réaliser une analyse de risque par rapport à ces dangers et de mettre en œuvre des mécanismes réglementaires correspondants.
- Des mesures comme par ex. l'utilisation de matériaux isolants, visant à éviter les bruits de sonnerie apparaissant sur les pièces à usiner, font partie des mécanismes réglementaires de nature à réduire le risque.
- Utilisez des équipements de protection auditive conformément aux instructions de votre employeur ou comme prescrits dans les dispositions sanitaires et de protection du travail.
- Les consommables/outillages machine doivent être sélectionnés, entretenus et remplacés conformément aux recommandations données dans ce mode d'emploi afin d'éviter une augmentation inutile du niveau sonore.

- Assurez-vous toujours, si la machine est équipée d'un silencieux, que ce dernier soit en place et opérationnel lorsque la machine est utilisée.

Risques engendrés par les vibrations

- L'influence des vibrations peut provoquer des lésions au niveau des nerfs et des problèmes de circulation sanguine dans les mains et les bras.
- Lors de travaux dans un environnement froid, portez des vêtements chauds et maintenez vos mains au chaud et au sec.
- Si vous constatez une sensation d'engourdissement, des picotements ou des douleurs dans les doigts ou les mains, ou si la peau de vos doigts ou de vos mains devient blanche, arrêtez immédiatement le travail avec la machine pour fixations non filetées, informez-en votre employeur et consultez un médecin.
- Il convient d'utiliser un support, un dispositif de serrage ou d'équilibrage pour retenir la masse de la machine, ce qui permet à l'utilisateur de ne pas avoir à la tenir aussi fermement.

Instructions de sécurité supplémentaires pour les machines pneumatiques

- L'air comprimé peut provoquer des blessures graves.
 - Si la machine n'est pas utilisée, ainsi que lors de l'échange d'accessoires ou bien avant la réalisation de travaux de réparation, veillez à ce que l'alimentation en air soit fermée, que le flexible pneumatique ne soit pas sous pression et que la machine soit débranchée de l'alimentation d'air.
 - Ne dirigez jamais la sortie d'air vers vous-même ou d'autres personnes.
- Les flexibles qui battent comme un fouet peuvent provoquer des blessures graves. Vérifiez toujours si les flexibles et les moyens de fixation sont intacts ou qu'ils ne se sont pas détachés.
- L'air froid ne doit pas être dirigé vers les mains.

- Si des accouplements tournants universels (accouplements à griffes) sont utilisés, des tiges de retenue doivent être intégrées ; des sécurités anti-effet de fouet pour flexibles doivent être utilisées afin de protéger en cas de défaillance du raccord du flexible avec la machine et des flexibles entre eux.
- Veillez à ce que la pression maximale indiquée sur la machine ne soit pas dépassée.
- Ne portez jamais les machines pneumatiques par leur flexible.

Avant la mise en service

REMARQUE

- ▶ La riveteuse pneumatique doit être utilisée exclusivement avec de l'air comprimé épuré contenant un brouillard d'huile, et la pression maximale de travail (6,3 bars) ne doit pas être dépassée dans l'appareil. Pour réguler la pression de travail, il faut équiper le compresseur d'un détendeur.
- ▶ Tenez compte du fait que la pression de travail maximale ne doit pas être dépassée. Une pression de travail supérieure n'apporte aucun avantage au niveau de la puissance, mais augmente uniquement la consommation d'air et accélère l'usure de l'appareil. Respectez de ce fait toujours les indications techniques.

Lubrification

REMARQUE

- ▶ Afin d'éviter tout dommage par frottement et corrosion, une lubrification régulière est particulièrement importante. Nous recommandons l'utilisation d'une huile spéciale pour air comprimé (par ex. huile pour compresseurs Liqui Moly).
 - **Lubrification avec un atomiseur d'huile**
Officiant d'étage préparatoire en aval du détendeur, un atomiseur d'huile (non compris dans le matériel livré) lubrifie votre appareil en continu et de manière optimale. Un atomiseur distribue l'huile en fines gouttes dans l'air circulant et garantit ainsi une lubrification régulière.
 - **Lubrification manuelle**
Si vous n'avez pas d'atomiseur d'huile, effectuez une lubrification avant chaque mise en service ou lors de longues opérations de travail. Mettez pour cela 3-5 gouttes d'huile spéciale pour air comprimé dans l'orifice pour lubrifiant **5**.

Rajout d'huile

Afin que la riveteuse pneumatique demeure longtemps fonctionnelle, il faut qu'il y ait suffisamment d'huile pour circuit pneumatique dans l'appareil.

Vous disposez des possibilités suivantes :

- ◆ Raccordez un conditionneur d'air comprimé avec huileur au compresseur.
- ◆ Installez un huileur intégré dans la conduite d'air comprimé ou sur l'appareil pneumatique.
- ◆ Toutes les 15 minutes de fonctionnement, versez manuellement env. 3-5 gouttes d'huile pour circuit pneumatique, du flacon d'huile 12 dans le nipple 6.
- ◆ Lors de la première ouverture du flacon d'huile 12 dévissez l'écrou à collet du flacon. Retirez la pipette dirigée vers l'intérieur avec une pince à bec ou similaire.
- ◆ Retournez-la à 180° et vissez-la bien avec l'écrou-raccord.
- ◆ Percez un petit orifice à l'aide d'une aiguille ou similaire dans la pointe de la pipette pour laisser goûter l'huile.

Raccordement à une source d'air comprimé

REMARQUE

- ▶ Avant le raccordement à la source d'air comprimé
 - la pression de travail correcte (3-6 bars) doit être entièrement disponible
 - s'assurer que la gâchette 4 ne soit pas enclenchée
- ◆ Glissez le raccord du flexible d'alimentation sur la fermeture rapide du nipple 6, de manière à ce qu'il s'enclenche de manière audible.

REMARQUE

Afin de pouvoir réguler l'air comprimé, la source d'air comprimé doit être équipée d'un détendeur.

Utilisation

- ◆ L'appareil est prêt à utiliser dès qu'il est alimenté en air comprimé.
- ◆ Vissez le récupérateur de tiges 14 sur le filetage 8 à l'arrière de la machine.
- ◆ Déterminez la taille des rivets à utiliser à l'aide des pièces que vous voulez assembler.
- ◆ À l'aide d'un outil adapté, percez un trou dans les pièces à assembler à l'endroit où le rivet 11 doit être fixé. Veillez bien à ce que le diamètre du trou corresponde à la taille de rivet déterminée.

⚠ ATTENTION !

- ▶ En fonction de la taille et du type des pièces à usiner, des mesures de sécurité correspondantes doivent être prises. Utilisez des dispositifs de serrage adaptés afin d'éviter que les pièces à usiner ne glissent.
- ▶ En cas d'interruption de l'alimentation en air comprimé, relâchez immédiatement la gâchette 4.
- ▶ Avant d'allumer la machine, l'outillage doit être positionné fermement sur la surface à usiner.

- ◆ Vérifiez si le diamètre du nez de pose 1 que vous venez de monter correspond au diamètre de pointe de la taille de rivet déterminée.
- ◆ Si ce n'est pas le cas, dévissez la douille avant 2 de l'appareil, si nécessaire à l'aide de la clé de montage 9.

⚠ ATTENTION !

- ▶ Débranchez obligatoirement l'appareil de la source d'air comprimé avant de placer ou de détacher la douille avant 2.
- ◆ Dévissez si nécessaire, à l'aide de la clé de montage 9, le nez de pose 1 de la douille avant 2. Vissez ensuite le nez de pose 13 correspondant dans la douille avant 2 et serrez le bien.

- ◆ Pour visser la douille avant ②, appuyez-la sur le filetage en surmontant au passage une légère résistance mécanique puis vissez-la bien à la main.
- ◆ À l'aide de la clé de montage ⑨, vissez-bien la douille avant ②.
- ◆ Raccordez à nouveau l'appareil à l'alimentation en air comprimé.
- ◆ Placez le rivet dans le trou percé dans les pièces.
- ◆ Déplacez l'appareil sur la pointe du rivet ① de manière à ce que cette dernière glisse dans le nez de pose ① et y soit entièrement logée.
- ◆ Tirez la gâchette ④. La tige est maintenant tirée vers l'intérieur de l'appareil puis détachée du rivet, et le rivetage est ainsi définitif. Répétez l'opération si nécessaire jusqu'à ce que la tige soit entièrement séparée du rivet.

REMARQUE

Pour passer le mandrin dans le collecteur ⑭, il est nécessaire de faire basculer intentionnellement l'appareil en arrière.

- ◆ Procédez de la même manière avec les rivets ① suivants.
- ◆ Videz le récupérateur de tiges ⑭ de temps en temps.
- ◆ Une fois votre travail terminé, débranchez l'appareil de la source d'air comprimé.

Entretien et nettoyage



AVERTISSEMENT ! RISQUE DE BLESSURES ! Avant les travaux de maintenance, débranchez l'appareil du réseau d'air comprimé.

ATTENTION !

- ▶ Nettoyez l'appareil avant la maintenance pour éliminer les substances dangereuses qui (suite aux processus de travail) s'y sont déposées. Évitez tout contact cutané avec ces substances. Si la peau entre en contact avec des poussières dangereuses, ceci peut provoquer une dermatite grave.
- ▶ Les poussières et vapeurs dégagées par l'utilisation de l'appareil peuvent engendrer des risques pour la santé (comme par ex. cancer, malformations congénitales, asthme et/ou dermatite).
Il est indispensable de réaliser une analyse de risque par rapport à ces dangers et de mettre en œuvre des mécanismes de régulation correspondants.

REMARQUE

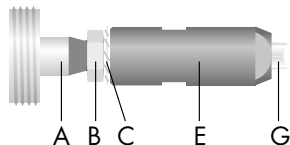
Pour garantir un fonctionnement impeccable et une longue durée de vie à la riveteuse pneumatique, il faut respecter les points suivants :

- Que la lubrification par huile soit suffisante et constante pour un fonctionnement optimal revêt une importance cruciale.
- Utilisez uniquement les pièces de remplacement d'origine du fabricant, sans quoi les utilisateurs encourent des risques. Contactez le centre de service après-vente en cas de doute.
- Utilisez exclusivement des accessoires et consommables de la taille et du type recommandés par le fabricant.
- Nettoyez l'appareil uniquement avec un chiffon doux et sec ou à l'air comprimé.
- N'utilisez en aucun cas de produits nettoyants agressifs et/ou provoquant des rayures.

Changer les mâchoires

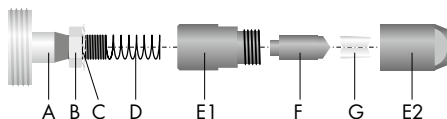
Les mâchoires **15** risquent de s'user par frottement. Remplacez dans ce cas les mâchoires **15** usées par les mâchoires de rechange **15** livrées, comme suit.

- ◆ Dévissez la douille avant **2** de l'appareil, si nécessaire à l'aide de la clé de montage **9**. Les pièces suivantes sont maintenant accessibles :



- A Axe de l'appareil
- B Contre-écrou
- C Rondelle dentée
- E Cône métallique en deux parties
- G Mâchoires

- ◆ De l'axe de l'appareil (A), dévissez le cône métallique en deux parties (E), qui retient les mâchoires (G), si nécessaire à l'aide des deux clés de montage **9** et **10**.
- ◆ Dévissez si nécessaire à l'aide des deux clés de montage **9** et **10** la partie avant et la partie arrière (E2, E1) du cône métallique pour les détacher l'une de l'autre. Les pièces suivantes sont maintenant accessibles :



- A Axe de l'appareil
- B Contre-écrou
- C Rondelle dentée
- D Ressort
- E1 Partie arrière du cône métallique
- F Mandrin expansible
- G Mâchoires
- E2 Partie avant du cône métallique

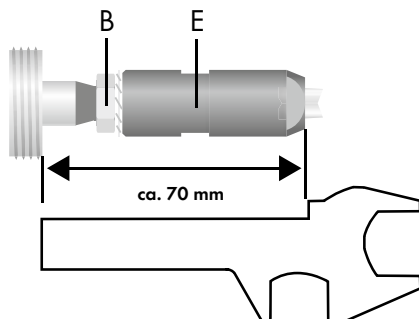
- ◆ Retirez le mandrin expansible (F) et les mâchoires usées (G) de la partie avant du cône métallique (E2).

- ◆ Placez les nouvelles mâchoires (G) dans la partie avant du cône métallique (E2) de manière à ce que les extrémités étroites dépassent de son orifice.

REMARQUE

Les deux mâchoires (G) doivent dépasser de l'ouverture à l'état fermé et bien alignées. L'idéal est de tenir la partie avant du cône métallique (E2) verticalement avec les mâchoires (G) pointant vers le bas.

- ◆ Placez le mandrin expansible (F) de manière à ce que ses pointes s'enclenchent dans les encoches qui forment les extrémités arrière des mâchoires (G).
- ◆ Vissez bien ensemble, à l'aide des deux clés de montage **9** et **10**, la partie avant et la partie arrière (E2, E1) du cône métallique.
- ◆ Vissez à nouveau le cône métallique (E) sur l'axe de l'appareil (A) et serrez bien le cône métallique à l'aide de la clé de montage **9**. Bloquez ce faisant le contre-écrou (B) à l'aide de la clé de montage **10**.
- ◆ Vérifiez après le montage du cône métallique (E) l'écart entre le filetage et le cône métallique (E). Il doit s'élever à environ 70 mm. Vous pouvez utiliser la clé de montage **10** comme aide de mesure. Si nécessaire, adaptez la mesure en ajustant le contre-écrou (B).



- ◆ Pour visser la douille avant **2**, appuyez-la sur le filetage en surmontant au passage une légère résistance mécanique puis vissez-la bien à la main.
- ◆ À l'aide de la clé de montage **9**, vissez bien la douille avant **2**.

Dépannage

Panne	Cause possible	Résolution
Performance de rivetage trop faible, de l'air s'échappe par l'orifice d'échappement.	Pièces mobiles collées par des souillures.	Vérifier l'absence de souillures au niveau de l'alimentation en pression.
	Pression d'alimentation trop basse.	Vérifier l'absence de souillures au niveau de l'alimentation en pression.
		Lubrifier l'appareil comme décrit dans le mode d'emploi. Si nécessaire, répéter les indications ci-dessus.
L'appareil ne fonctionne pas, l'air comprimé sort entièrement par l'orifice d'échappement.	Les pièces mobiles sont bloquées à cause d'une accumulation de matériau.	Lubrifier l'appareil comme décrit dans le mode d'emploi.

Mise au rebut



L'emballage se compose de matériaux respectueux de l'environnement. Il peut être éliminé dans les conteneurs de recyclage locaux.

Ne jetez pas l'appareil avec les ordures ménagères !

Renseignez-vous auprès de votre mairie ou des services de votre commune pour connaître les possibilités de mise au rebut de votre appareil usagé.



Éliminez l'emballage d'une manière respectueuse de l'environnement. Observez le marquage sur les différents matériaux d'emballage et triez-les séparément si nécessaire. Les matériaux d'emballage sont repérés par des abréviations (a) et des numéros (b) qui ont la signification suivante :

- 1 – 7 : Plastiques,
- 20 – 22 : Papier et carton,
- 80 – 98 : Matériaux composites



Renseignez-vous auprès de votre commune pour connaître les possibilités de mise au rebut de votre appareil usagé.

Garantie de Kompennass Handels GmbH

Chère cliente, cher client,

Cet appareil est garanti 3 ans à partir de la date d'achat. Si ce produit venait à présenter des vices, vous disposez de droits légaux face au vendeur de ce produit. Vos droits légaux ne sont pas restreints par notre garantie présentée ci-dessous.

Conditions de garantie

La période de garantie débute à la date de l'achat. Veuillez bien conserver le ticket de caisse d'origine. Ce document servira de preuve d'achat.

Si dans un délai de trois ans suivant la date d'achat de ce produit, un vice de matériel ou de fabrication venait à apparaître, le produit sera réparé ou remplacé gratuitement par nos soins, selon notre choix. Cette prestation de garantie nécessite dans un délai de trois ans la présentation de l'appareil défectueux et du justificatif d'achat (ticket de caisse) ainsi que la description brève du vice et du moment de son apparition.

Si le vice est couvert par notre garantie, vous recevrez le produit réparé ou un nouveau produit en retour. Aucune nouvelle période de garantie ne débute avec la réparation ou l'échange du produit.

Période de garantie et réclamation légale pour vices cachés

L'exercice de la garantie ne prolonge pas la période de garantie. Cette disposition s'applique également aux pièces remplacées ou réparées. Les dommages et vices éventuellement déjà présents à l'achat doivent être signalés immédiatement après le déballage. Toute réparation survenant après la période sous garantie fera l'objet d'une facturation.

Étendue de la garantie

L'appareil a été fabriqué avec soin conformément à des directives de qualité strictes et consciencieusement contrôlé avant sa livraison.

La prestation de garantie est valable pour des vices de matériel et de fabrication. Cette garantie ne s'étend pas aux pièces du produit qui sont exposées à une usure normale et peuvent de ce fait être considérées comme pièces d'usure, ni aux détériorations de pièces fragiles, par ex. connecteur, accu, moules ou pièces en verre.

Cette garantie devient caduque si le produit est détérioré, utilisé ou entretenu de manière non conforme. Toutes les instructions listées dans le manuel d'utilisation doivent être exactement respectées pour une utilisation conforme du produit. Des buts d'utilisation et actions qui sont déconseillés dans le manuel d'utilisation, ou dont vous êtes avertis doivent également être évités.

Le produit est uniquement destiné à un usage privé et ne convient pas à un usage professionnel.

La garantie est annulée en cas d'entretien incorrect et inapproprié, d'usage de la force et en cas d'intervention non réalisée par notre centre de service après-vente agréé.

Procédure en cas de garantie

Afin de garantir un traitement rapide de votre demande, veuillez suivre les indications suivantes :

- Veuillez avoir à portée de main pour toutes questions le ticket de caisse et la référence article (par ex. IAN 12345) en tant que justificatif de votre achat.
- Vous trouverez la référence sur la plaque signalétique, une gravure, sur la page de garde de votre manuel d'utilisation (en bas à gauche) ou sous forme d'autocollant au dos ou sur le dessous.
- Si des erreurs de fonctionnement ou d'autres vices venaient à apparaître, veuillez d'abord contacter le département service clientèle cité ci-dessous par **téléphone** ou **par e-mail**.

- Vous pouvez ensuite retourner un produit enregistré comme étant défectueux en joignant le ticket de caisse et en indiquant en quoi consiste le vice et quand il est survenu, sans devoir l'affranchir à l'adresse de service après-vente communiquée.

REMARQUE

- Pour les outils Parkside et Florabest, veuillez ne renvoyer que l'article défectueux, sans accessoire (par ex. sans accu, mallette de rangement, outils de montage, etc.).



Sur www.lidl-service.com, vous pourrez télécharger ce mode d'emploi et de nombreux autres manuels, vidéos produit et logiciels.

Service après-vente

FR Service France

Tel.: 0800 919270

E-Mail: kompernass@lidl.fr

BE Service Belgique

Tel.: 070 270 171 (0,15 EUR/Min.)

E-Mail: kompernass@lidl.be

IAN 315471

Importateur

Veuillez tenir compte du fait que l'adresse suivante n'est pas une adresse de service après-vente. Veuillez d'abord contacter le service mentionné.

KOMPERNASS HANDELS GMBH

BURGSTRASSE 21

DE-44867 BOCHUM

ALLEMAGNE

www.kompernass.com

Traduction de la déclaration de conformité originale

Nous soussignés, KOMPERNASS HANDELS GMBH, responsable du document : M. Semi Uguzlu, BURGSTR. 21, DE-44867 BOCHUM, ALLEMAGNE, déclarons par la présente que ce produit est en conformité avec les normes, documents normatifs et directives CE suivants :

Directive relative aux machines (2006 / 42 / CE)

Normes harmonisées appliquées :

EN ISO 11148-1: 2011

Désignation du modèle de la machine :

PISTOLET PNEUMATIQUE POUR RIVETS
AVEUGLES PDBNP 14 B1

Année de fabrication : 02-2019

Numéro de série : IAN 315471

Bochum, le 08/01/2019



Semi Uguzlu

- Responsable qualité -

Sous réserve de modifications techniques à des fins de perfectionnement.

Inhoud

Inleiding	28
Gebruik in overeenstemming met bestemming	28
Bedieningselementen (Afb. A)	28
Accessoires (afb. B)	28
Inhoud van het pakket	28
Technische gegevens	28
Algemene veiligheidsvoorschriften voor persluchtapparaten	29
Risico's door weggeslingerde delen	30
Risico's tijdens gebruik	30
Risico's door herhaalde bewegingen	30
Risico's door accessoires	30
Risico's op de werkplek	31
Risico's door lawaai	31
Risico's door trillingen	31
Bijkomende veiligheidsvoorschriften voor pneumatische apparaten	31
Vóór de ingebruikname	32
Smering	32
Olie bijvullen	32
Aansluiting op een persluchtbron	32
Bediening	33
Onderhoud en reiniging	34
Spanklauwen verwisselen	34
Problemen oplossen	36
Afvoeren	37
Garantie van Kompernaß Handels GmbH	37
Service	38
Importeur	38
Vertaling van de oorspronkelijke conformiteitsverklaring	39

PERSLUCHT-BLINDNIETPISTOOL PDBNP 14 B1

Inleiding

Hartelijk gefeliciteerd met de aankoop van uw nieuwe product. U hebt hiermee gekozen voor een hoogwaardig product. De gebruiksaanwijzing maakt deel uit van dit product. Deze bevat belangrijke aanwijzingen voor veiligheid, gebruik en afvoer. Lees alle bedienings- en veiligheidsvoorschriften voordat u het product in gebruik neemt. Gebruik het product uitsluitend op de voorgeschreven wijze en voor de aangegeven doeleinden. Geef alle documenten mee als u het product overdraagt aan een derde.

Gebruik in overeenstemming met bestemming

Het pneumatisch blindklinkpistool is bedoeld om daarvoor geschikte materialen met blindklinknagels/popnagels aan elkaar vast te klinken. Elk ander gebruik of elke wijziging van het apparaat geldt als niet in overeenstemming met de bestemming en brengt ernstig gevaar voor ongelukken met zich mee. Voor schade die voortvloeit uit gebruik dat niet in overeenstemming is met de bestemming aanvaarden wij geen aansprakelijkheid. Het apparaat is alleen bestemd voor privégebruik.

Symbolen op het persluchtapparaat:

	Lees de gebruiksaanwijzing zorgvuldig door voordat u het apparaat in gebruik neemt.
	Draag een stofmasker.
	Draag wanneer u het blindklinkpistool gebruikt of onderhoudt altijd oogbescherming.
	Draag altijd gehoorbescherming.
	Regelmatig smeren

Bedieningselementen (Afb. A)

(afbeeldingen: zie uitvouwpagina's)

- 1 Mondstuk (4,8 mm, voorgemonteerd)
- 2 Voorste bus
- 3 Zeskantige moerbus van de voorste bus
- 4 Hendel
- 5 Opening voor smeermiddel
- 6 Aansluitnippel
- 7 Handgreep
- 8 Schroefdraad voor opvangbak

Accessoires (afb. B)

- 9 Montagesleutel 10 | 15 | 24 mm
- 10 Montagesleutel 14 | 19 mm
- 11 4 x 20 blindklinknagels (2,4 - 3,2 - 4,0 - 4,8 mm)
- 12 Olieflacon
- 13 3 mondstukken (2,4 - 3,2 - 4,0 mm)
- 14 Opvangbak met bevestigingsring
- 15 2 x reservespanklauw

Inhoud van het pakket

- 1 pneumatisch blindklinkpistool
- 4 mondstukken (2,4 - 3,2 - 4,0 - 4,8 mm)
- 2 montagesleutels
- 1 aansluitnippel (voorgemonteerd)
- Blindklinknagels (20 van elk: 2,4 - 3,2 - 4,0 - 4,8 mm)
- 1 olieflacon
- 1 opvangbak
- 2 spanklauwen
- 1 koffer
- 1 gebruiksaanwijzing

Technische gegevens

- Werkdruk: max. 6,3 bar
- Luchtverbruik: 127 l/min (gemiddeld)
- Slaglengte: 17 mm
- Trekvermogen: min. 7050 N
- Persluchtaansluiting: 1/4"

Geluidsemissiewaarde:

Gemeten waarde voor geluid vastgesteld conform EN ISO 15744.

Het gewogen geluidsniveau van het gereedschap bedraagt gemiddeld:

Geluidsdrumniveau: $L_{pA} = 76,1 \text{ dB (A)}$

Onzekerheid: $K_{pA} = 3 \text{ dB}$

Geluidsvermogensniveau: $L_{WA} = 87,1 \text{ dB (A)}$

Onzekerheid: $K_{WA} = 3 \text{ dB}$

Draag gehoorbescherming!

Totale trillingswaarde:

Totale trillingswaarden vastgesteld conform ISO 28927-6 en EN 12096:

Trillingsemissiewaarde $a_h \leq 0,85 \text{ m/s}^2$

Onzekerheid $K_h = 0,59 \text{ m/s}^2$

OPMERKING

► De in deze gebruiksaanwijzing vermelde geluidsemissie- en trillingsniveaus zijn gemeten volgens een genormeerde meetprocedure en kunnen worden gebruikt voor apparaatvergelijking. De geluidsemissie- en trillingsniveaus veranderen afhankelijk van het gebruik van het persluchtgereedschap en kunnen in bepaalde gevallen hoger zijn dan de in deze gebruiksaanwijzingen aangegeven waarden. De geluidsemissie- en trillingsniveaus kunnen worden onderschat wanneer het persluchtgereedschap regelmatig op een dergelijke manier wordt gebruikt.



Algemene veiligheidsvoorschriften voor persluchtapparaten

! WAARSCHUWING!

- Voor meerdere gevaren: voordat u het apparaat voor schroefdraadlose bevestigingen klaarmaakt voor gebruik, gebruikt, repareert, onderhoudt of accessoires van het apparaat verwisselt en voordat u werkt in de buurt van het apparaat, moet u de veiligheidsvoorschriften gelezen en begrepen hebben. Indien u dit nalaat, kan dit leiden tot ernstig lichamelijk letsel.
- Het apparaat mag uitsluitend door daarvoor gekwalificeerde en opgeleide personen worden klaargemaakt voor gebruik, ingesteld of gebruikt.
- Dit apparaat voor schroefdraadlose bevestigingen mag niet worden gemodificeerd. Wijzigingen kunnen de effectiviteit van de veiligheidsvoorzieningen aantasten en de risico's verhogen voor wie het apparaat bedient.
- De veiligheidsvoorschriften mogen niet verloren gaan: geef ze aan degene die het apparaat bedient.
- Gebruik nooit beschadigde apparaten voor schroefdraadlose bevestigingen.
- Het apparaat moet regelmatig aan een inspectie worden onderworpen, om te controleren of het voldoet aan de in deze handleiding voorgescreven nominale waarden en aanduidingen. Neem contact op met de fabrikant om eventuele vervangende plaatjes aan te vragen.

Risico's door weggeslingerde delen

- Verbreek de stroomtoevoer naar het apparaat voor schroefdraadloze bevestigingen voordat u een opzetstuk of accessoires verwisselt.
- Bij een breuk van het werkstuk, van accessoires of van het apparaat zelf kunnen fragmenten met hoge snelheid worden weggeslingerd.
- Bij het werken met het apparaat moet altijd slagbestendige oogbescherming worden gedragen. Schat voor elk afzonderlijk gebruik in welke beschermingsgraad u nodig hebt.
- Houd in dergelijke gevallen ook rekening met de risico's voor andere personen.
- Zorg ervoor dat het werkstuk goed vastgeklemd zit.
- Gecontroleerd dient te worden of er een bescherming tegen het wegslingeren van bevestigingselementen en/of klinknagels aanwezig is en werkend is.

Risico's tijdens gebruik

- Bij gebruik van het apparaat kunnen de handen van degene die het apparaat bedient blootgesteld zijn aan risico's zoals beknellingen, slagen, snij- en schafwonden en aan warmte. Draag geschikte handschoenen om uw handen te beschermen.
- Degenen die het apparaat bedienen en onderhouden, moeten fysiek in staat zijn om de grootte, het gewicht en het vermogen van het apparaat te hanteren.
- Houd het apparaat juist vast: wees voorbereid op gebruikelijke of plotselinge bewegingen – houd beide handen gereed.
- Let erop dat uw lichaam in balans is en dat u stevig staat.
- Schakel het apparaat uit in het geval van een stroomonderbreking.
- Gebruik uitsluitend de door de fabrikant aanbevolen smeermiddelen.
- Voorkom ongewone lichaamshoudingen, omdat die zeer waarschijnlijk een reactie op normale of onverwachte bewegingen van het apparaat onmogelijk maken.

- Wanneer het apparaat voor schroefdraadloze bevestigingen aan een ophanginrichting is bevestigd, moet de bevestiging geborgd zijn.
- Let op het risico van beknellingsgevaar, wanneer de uitrusting op de apparaatkop niet is aangebracht.

Risico's door herhaalde bewegingen

- Gebruik van een apparaat voor schroefdraadloze bevestigingen kan bij degene die het apparaat bedient, leiden tot fysieke klachten in handen, armen, nek, schouders of andere delen van het lichaam.
- Bij gebruik van een apparaat voor schroefdraadloze bevestigingen moet degene die het apparaat bedient, een comfortabele lichaamshouding aannemen. Zorg ervoor dat u stevig staat en vermijd ongemakkelijke houdingen of houdingen waarbij het moeilijk is om het evenwicht te bewaren. Bij lang werken met het apparaat verdient het aanbeveling van tijd tot tijd van lichaamshouding te veranderen om fysiek ongemak en vermoeidheid te voorkomen.
- Negeer de volgende symptomen van fysiek ongemak niet: aanhoudend onwel zijn of herhaald onwel worden, ongemakken, kloppingen, pijn, tintelingen, versuffing, branderig gevoel of stijfheid. Raadpleeg bij dergelijke klachten een voor dit soort problemen gekwalificeerde arts.

Risico's door accessoires

- Koppel het apparaat voor schroefdraadloze bevestigingen los van de energievoorziening voordat u opzetstukken of accessoires vervangt.
- Gebruik uitsluitend accessoires en verbruiksmaterialen die qua grootte en type worden aanbevolen door de fabrikant van het apparaat voor schroefdraadloze bevestigingen. Gebruik geen accessoires en verbruiksmaterialen van andere typen of formaten.

Risico's op de werkplek

- Uitglijden, struikelen en vallen zijn de belangrijkste oorzaken van letsel op de werkvloer. Let op oppervlakken die glad zijn geworden door het gebruik van het apparaat en op door de luchtslang of hydraulische slang veroorzaakt struikelgevaar.
- Ga in onbekende omgevingen voorzichtig te werk. Er kunnen verborgen risico's optreden door stroom- of andere leidingen voor nutsvoorzieningen.
- Dit apparaat voor schroefdraadloze bevestigingen is niet bestemd voor gebruik in potentieel explosiegevaarlijke omgevingen en is niet geïsoleerd tegen contact met elektrische stroombronnen.
- Controleer op de aanwezigheid van elektrische leidingen, gasleidingen enz., die in geval van beschadiging door het gebruik van het apparaat een gevaar zouden kunnen vormen.

Risico's door lawaai

- Blootstelling aan hoge geluidsniveaus kan in geval van onvoldoende gehoorbescherming leiden tot blijvende gehoorschade, gehoorverlies en andere problemen, zoals tinnitus (rinkelen, suizen, fluiten of zoemen in het oor).
- Daarom is het essentieel om een risicobeoordeling uit te voeren met betrekking tot deze risico's en adequate controlemechanismen te implementeren.
- Tot de geschikte controlemechanismen voor vermindering van het risico behoren maatregelen zoals het gebruik van geluiddempende materialen, om bij de werkstukken optredende rinkelgeluiden te voorkomen.
- Gebruik gehoorbeschermingsmiddelen volgens de instructies van uw werkgever of zoals vereist door de ARBO-voorschriften.
- De verbruiksmaterialen/opzetstukken moeten volgens de aanbevelingen van deze gebruiksaanwijzing worden verwisseld, onderhouden en vervangen, om onnodige toename van het geluidsniveau te voorkomen.
- Als het apparaat is uitgerust met een geluiddemper, zorg er dan voor dat deze op het apparaat geplaatst is en werkt als u het apparaat gebruikt.

Risico's door trillingen

- Trillingen kunnen beschadiging van de zenuwen en storingen van de bloedcirculatie in handen en armen veroorzaken.
- Draag bij het werken in een koude omgeving warme kleding en houd uw handen warm en droog.
- Onderbreek het werk met het apparaat voor schroefdraadloze bevestigingen, informeer uw werkgever en raadpleeg een arts als u een gevoel van doofheid, tintelingen of pijn in uw vingers of handen vaststelt, of de huid van uw vingers of handen wit wordt.
- Gebruik voor het vasthouden van het apparaat een steun, een klem of een contragewicht, zodat degene die het apparaat bedient het apparaat dan minder stevig hoeft vast te pakken om het in bedwang te houden.

Bijkomende veiligheidsvoorschriften voor pneumatische apparaten

- Perslucht kan ernstig letsel veroorzaken.
 - Controleer, als het apparaat niet in gebruik is, vóór het verwisselen van accessoires en vóór het uitvoeren van reparatiewerkzaamheden, altijd of de luchttoevoer is afgesloten, of de luchtslang niet onder druk staat en of het apparaat is losgekoppeld van de luchttoevoer.
 - Richt de luchtstroom nooit op uzelf of op andere personen.
- Rondzwiepende slangen kunnen ernstig letsel veroorzaken. Controleer altijd of de slangen en koppelingen niet beschadigd of losgeraakt zijn.
- Koude lucht moet van de handen weggeleid worden.
- Als universele draaikoppelingen (klauwkoppelingen) worden gebruikt, moeten borgpennen worden gebruikt; Whipcheck-slangzekeringen moeten worden gebruikt voor bescherming tegen het losraken van een koppeling met het apparaat of een koppeling tussen twee slangen.
- Zorg ervoor dat de op het apparaat aangegeven maximale druk niet wordt overschreden.
- Draag perslucht machines nooit aan de slang.

Vóór de ingebruikname

OPMERKING

- ▶ Het blindklinkpistool mag alleen worden gebruikt met gezuiverde, van olienevel voorziene perslucht, waarbij een maximale werkdruk van 6,3 bar op het apparaat niet mag worden overschreden. De compressor moet zijn uitgerust met een drukregelaar om de werkdruk te regelen.
- ▶ Houd er rekening mee dat de maximale werkdruk niet mag worden overschreden. Een te hoge werkdruk levert geen prestatieverbetering op, maar verhoogt alleen het luchtverbruik en versnelt de slijtage van het apparaat. Houd u daarom altijd aan de technische specificaties.

Smering

OPMERKING

- ▶ Ter voorkoming van wrijvings- en corrosieschade is een regelmatige smering van groot belang. Het verdient aanbeveling speciale olie voor perslucht te gebruiken (bijv. Liqui Moly compressorolie).
 - **Smering met een olieverniveelaar**
Als voorbereidingsstap na de drukregelaar smeert een olieverniveelaar (niet meegeleverd) uw apparaat continu en optimaal. Een olieverniveelaar geeft in fijne druppels olie af aan de doorstromende lucht en zorgt zo voor een regelmatige smering.
 - **Handmatige smering**
Hebt u geen olieverniveelaar, smeert het apparaat dan telkens voordat u het in gebruik neemt of bij langdurige werkzaamheden. Druppel daarvoor 3 - 5 druppels speciale olie voor perslucht in de opening voor smeermiddel ⑤.

Olie bijvullen

Om het blindklinkpistool lange tijd te kunnen blijven gebruiken, moet er voldoende persluchtolie in het apparaat aanwezig zijn.

Dat kan op de volgende manieren:

- ◆ Sluit een luchtconditioneringssysteem met smeeraapparaat op de compressor aan.
- ◆ Installeer een aanbouw-smeeraapparaat op de persluchtleiding of op het persluchtapparaat.
- ◆ Doe met de hand om de 15 gebruiksminuten ca. 3 - 5 druppels persluchtolie uit de meegeleverde olieflacon ⑫ in de aansluitnippel ⑥.
- ◆ Wanneer u de olieflacon ⑫ voor de eerste keer opent, schroeft u de wartelmoer van de flacon. Neem de naar binnen gerichte pipet met een tang of iets dergelijks uit.
- ◆ Plaats de pipet 180° gedraaid terug en schroef hem weer vast met de wartelmoer.
- ◆ Maak met een naald of iets dergelijks een kleine opening in de pipet, zodat er olie uit kan druppelen.

Aansluiting op een persluchtbron

OPMERKING

- ▶ Voorafgaand aan aansluiting van de persluchtbron
 - moet de vereiste werkdruk (3 - 6 bar) volledig zijn opgebouwd
 - moet u zich ervan vergewissen dat de hendel ④ niet aangetrokken is
- ◆ Schuif de aansluiting van de toevoerslang over de snelsluiting van de aansluitnippel ⑥, zodat die merkbaar vastklikt.

OPMERKING

De persluchtbron moet zijn uitgerust met een drukregelaar om de perslucht te kunnen regelen.

Bediening

- ◆ Zodra het apparaat perslucht krijgt, is het klaar voor gebruik.
- ◆ Schroef de opvangbak **14** uit de schroefdraad **8** achter op de machine.
- ◆ Bepaal aan de hand van de werkstukken die u aan elkaar wilt klinken de maat van de klinknagels die u daarvoor nodig hebt.
- ◆ Boor met een daarvoor geschikt werktuig een gat door de werkstukken die aan elkaar geklonken moeten worden op de plaats waar de klinknagel **11** moet komen. Zorg ervoor dat de diameter van het gat overeenkomt met de grootte van de klinknagel.

⚠ LET OP!

- ▶ Al naar gelang de grootte en aard van de werkstukken moeten passende veiligheidsmaatregelen worden getroffen. Gebruik geschikte klemvoorzieningen om wegglijden van het werkstuk te voorkomen.
 - ▶ Als de persluchttoevoer wordt onderbroken, laat u de hendel **4** onmiddellijk los.
 - ▶ Voordat u de machine aanzet, moet u het werktuig stevig op het te bewerken oppervlak zetten.
- ◆ Controleer of de diameter van het gemonteerde mondstuk **1** past bij de diameter van de gekozen klinknagelmaat.
 - ◆ Is dat niet het geval, schroef dan de voorste bus **2**, zo nodig met behulp van de montagesleutel **9**, los van het apparaat.

⚠ LET OP!

- ▶ Maak het apparaat beslist los van de persluchtbron voordat u de voorste bus **2** monteert of demonteert.
- ◆ Schroef, zo nodig met behulp van de montagesleutel **9**, het mondstuk **1** van de voorste bus **2**. Vervolgens schroeft u het passende mondstuk **13** in de voorste bus **2** en draait u het goed vast.

- ◆ Om de voorste bus **2** aan te schroeven, drukt u die over een lichte weerstand heen op de schroefdraad en draait u hem handvast aan.
- ◆ Draai met behulp van de montagesleutel **9** de voorste bus **2** goed vast.
- ◆ Sluit het apparaat weer aan op de persluchttoevoer.
- ◆ Plaats de blindklinknagel in het boorgat.
- ◆ Beweeg het apparaat zodanig over de klinknagel **11**, dat de pen in het mondstuk **1** glijdt en er volledig in opgenomen wordt.
- ◆ Trek de hendel **4** aan. De pen wordt nu in het apparaat getrokken en van de blindklinknagel gescheiden, waardoor de blindklinknagelverbinding definitief tot stand komt. Herhaal zo nodig de procedure totdat de pen volledig van de blindklinknagel gescheiden is.

OPMERKING

Om de pen in de opvangbak **14** te krijgen, moet het apparaat met opzet naar achteren worden gekanteld.

- ◆ Ga met de volgende blindklinknagels **11** op dezelfde manier te werk.
- ◆ Maak de opvangbak **14** af en toe leeg.
- ◆ Na afloop van alle werkzaamheden koppelt u het apparaat los van de persluchtbron.

Onderhoud en reiniging



WAARSCHUWING! LETSELGEVAAR!
Koppel vóór onderhoudswerkzaamheden het apparaat los van de persluchttoevoer.

⚠ LET OP!

- ▶ Verwijder gevaarlijke substanties die zich (door werkprocessen) op het apparaat hebben vastgezet, voordat u onderhoudswerkzaamheden aan het apparaat uitvoert. Vermijd elk huidcontact met deze substanties. Wanneer de huid in contact komt met gevaarlijke stoffen, kan dit leiden tot ernstige dermatitis.
- ▶ Stof en dampen die ontstaan bij het gebruik van dit apparaat, kunnen gezondheidsschade (zoals kanker, geboortefwijkingen, astma en/of dermatitis) veroorzaken; het is daarom noodzakelijk om een risicobeoordeling van die risico's uit te voeren en geschikte controlemechanismen te implementeren.

OPMERKING

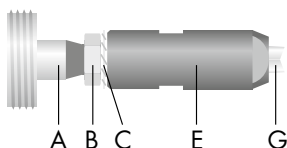
Neem de volgende punten in acht om een correcte werking en lange levensduur van het blindklinkpistool te waarborgen:

- Een voldoende en continu intacte oliesmering is voor een optimale werking van doorslaggevend belang.
- Gebruik uitsluitend originele vervangings- resp. reserveonderdelen van de fabrikant, omdat er anders gevaar bestaat voor de gebruikers. Neem bij twijfel contact op met de klantenservice.
- Gebruik uitsluitend accessoires en verbruiksmaterialen die qua grootte en type worden aanbevolen door de fabrikant.
- Reinig het apparaat uitsluitend met een droge, zachte doek of met perslucht.
- Gebruik in geen geval scherpe en/of krassende reinigingsmiddelen.

Spanklauwen verwisselen

De spanklauwen **15** kunnen door wrijving slijten. Vervang in dat geval als volgt de versleten spanklauwen **15** door de meegeleverde reservespanklauwen **15**.

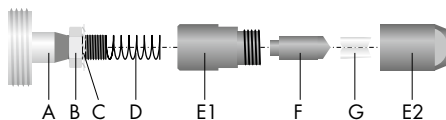
- ◆ Schroef de voorste bus **2**, zo nodig met behulp van de montagesleutel **9**, van het apparaat. De volgende onderdelen zijn nu toegankelijk:



- A As van het apparaat
- B Contramoeer
- C Getande borgring
- E Tweedelige metalen conische bus
- G Spanklauwen

- ◆ Schroef de tweedelige metalen conische bus (E) die de spanklauwen (G) vasthoudt, zo nodig met behulp van de beiden montagesleutels **9** en **10** van de as van het apparaat (A) af.

- ◆ Schroef, zo nodig met behulp van de twee montagesleutels **9** en **10**, het voorste en achterste deel van de metalen conische bus (E2, E1) van elkaar los. De volgende onderdelen zijn nu toegankelijk:



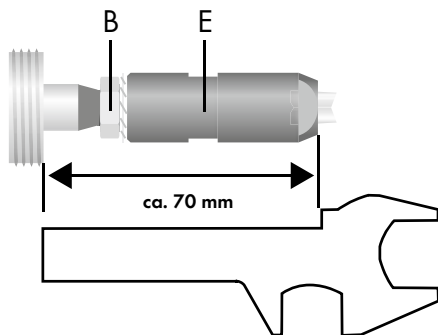
- A As van het apparaat
- B Contramoeer
- C Getande borgring
- D Veer
- E1 Achterste deel van de metalen bus
- F Drukstift
- G Spanklauwen
- E2 Voorste deel van de metalen bus

- ◆ Neem de drukstift (F) en de versleten spanklauwen (G) uit het voorste deel van de metalen bus (E2).
- ◆ Zet de nieuwe spanklauwen (G) zodanig in het voorste deel van de metalen bus (E2), dat de smalle uiteinden uit de opening ervan steken.
- ◆ Om de voorste bus ② aan te schroeven, drukt u die over een lichte weerstand heen op de schroefdraad en draait u hem handvast aan.
- ◆ Draai met behulp van de montagesleutel ⑨ de voorste bus ② goed vast.

OPMERKING

Beide spanklauwen (G) moeten daarbij even ver uit de opening steken. Dat bereikt u het gemakkelijkst door het voorste deel van de metalen bus (E2) verticaal te houden met de spanklauwen (G) omlaag gericht.

- ◆ Plaats de drukstift (F) op een zodanige manier dat de punten ervan in de groef grijpen die wordt gevormd door de achterste uiteinden van de spanklauwen (G).
- ◆ Schroef het voorste en achterste deel van de metalen bus (E2, E1) met behulp van de twee montagesleutels ⑨ en ⑩ aan elkaar vast.
- ◆ Schroef de metalen bus (E) terug op de as van het apparaat (A) en zet de metalen bus met behulp van de montagesleutel ⑨ goed vast. Zet daarbij de contraoer (B) vast met behulp van de montagesleutel ⑩.
- ◆ Controleer nadat u de metalen bus (E) gemonteerd hebt, de afstand tussen schroefdraad en metalen bus (E). Die moet ca. 70 mm bedragen. U kunt de montagesleutel ⑩ als meethulp gebruiken. Pas, indien nodig, de afstand aan met behulp van de contraoer (B).



Problemen oplossen

Probleem	Mogelijke oorzaak	Oplossing
Te weinig klinkvermogen, er komt een beetje lucht uit de uitlaat.	Bewegende delen zitten vast door vuil.	Controleer het filter van de druktoevoer op verontreiniging.
	Druktoevoer te laag.	Controleer het filter van de druktoevoer op verontreiniging.
		Smeer het apparaat zoals beschreven in de gebruiksaanwijzing.
		Herhaal zo nodig de bovenstaande stappen.
Het apparaat werkt niet, de perslucht ontsnapt volledig bij de uitlaat.	Bewegende delen zitten vast door ophoping van materiaal.	Smeer het apparaat zoals beschreven in de gebruiksaanwijzing.

Afvoeren



De verpakking bestaat uit milieuvriendelijke materialen. De verpakking kan in de plaatselijke kringloopcontainers worden gedeponeerd.

Deponeer het apparaat niet bij het normale huisvuil!

Informatie over mogelijkheden voor het afvoeren van het afgedankte apparaat krijgt u bij uw gemeentereinigingsdienst.



Voer de verpakking af conform de milieuvoorschriften.

Let op de aanduiding op de verschillende verpakkingsmaterialen en voer ze zo nodig gescheiden af. De verpakkingsmaterialen zijn voorzien van afkortingen (a) en cijfers (b) met de volgende betekenis:

1 – 7: kunststoffen,

20 – 22: papier en karton,

80 – 98: composietmaterialen



Mogelijkheden voor het afvoeren van het afgedankte product vindt u bij uw gemeente.

Garantie van Kompernaß Handels GmbH

Geachte klant,

U hebt op dit apparaat 3 jaar garantie vanaf de aankoopdatum. In geval van gebreken in dit product hebt u wettelijke rechten tegenover de verkoper van het product. Deze wettelijke rechten worden door onze hierna beschreven garantie niet beperkt.

Garantievoorwaarden

De garantieperiode geldt vanaf de datum van aankoop. Bewaar de originele kassabon. U hebt de bon nodig als bewijs van aankoop.

Als er binnen drie jaar vanaf de aankoopdatum van dit product een materiaal- of fabricagefout optreedt, wordt het product door ons – naar onze keuze – voor u kosteloos gerepareerd of vervangen. Voorwaarde voor deze garantie is dat binnen de termijn van drie jaar het defecte apparaat en het aankoopbewijs (kassabon) worden overlegd en dat kort wordt omschreven waaruit het gebrek bestaat en wanneer het is opgetreden.

Wanneer het defect door onze garantie wordt gedekt, krijgt u het gerepareerde product of een nieuw product retour. Met de reparatie of vervanging van het product begint er geen nieuwe garantieperiode.

Garantieperiode en wettelijke aanspraken bij gebreken

De garantieperiode wordt door deze waarborg niet verlengd. Dat geldt ook voor vervangen en gerepareerde onderdelen. Eventueel al bij aankoop aanwezige schade en gebreken moeten meteen na het uitpakken worden gemeld. Voor reparaties na afloop van de garantieperiode worden kosten in rekening gebracht.

Garantieomvang

Het apparaat is op basis van strenge kwaliteitsnormen met de grootst mogelijke zorg vervaardigd en voorafgaand aan de levering nauwkeurig gecontroleerd.

De garantie geldt voor materiaal- of fabricagefouten. Deze garantie geldt niet voor productonderdelen die blootstaan aan normale slijtage en derhalve als aan slijtage onderhevige onderdelen kunnen worden aangemerkt, of voor beschadigingen aan breekbare onderdelen, bijv. schakelaars, accu's, bakvormen of onderdelen die van glas zijn gemaakt.

Deze garantie vervalt wanneer het product is beschadigd, ondeskundig is gebruikt of is gerepareerd. Voor deskundig gebruik van het product moeten alle in de gebruiksaanwijzing beschreven aanwijzingen precies worden opgevolgd. Gebruiksdoeleinden en handelingen die in de gebruiksaanwijzing worden afgeraden of waarvoor wordt gewaarschuwd, moeten beslist worden vermeden.

Het product is uitsluitend bestemd voor privégebruik en niet voor bedrijfsmatige doeleinden. Bij verkeerd gebruik en ondeskundige behandeling, bij gebruik van geweld en bij reparaties die niet door ons erkend servicefiliaal zijn uitgevoerd, vervalt de garantie.

Afhandeling bij een garantiekwestie

Voor een snelle afhandeling van uw aanvraag neemt u de volgende aanwijzingen in acht:

- Houd voor alle aanvragen de kassabon en het artikelnummer (bijv. IAN 12345) als aankoopbewijs bij de hand.
- Het artikelnummer vindt u op het typeplaatje, in het product gegraveerd, op de titelpagina van de gebruiksaanwijzing (linksonder) of als sticker op de achter- of onderkant van het product.
- Als er fouten in de werking of andere gebreken optreden, neemt u eerst contact op met de hierna genoemde serviceafdeling, **telefonisch** of **via e-mail**.

- Een als defect geregistreerd product kunt u dan zonder portokosten naar het aan u doorgegeven serviceadres sturen. Voeg het aankoopbewijs (kassabon) bij en vermeld waaruit het gebrek bestaat en wanneer het is opgetreden.

OPMERKING

- Bij gereedschap van Parkside en Florabest: retourneer a.u.b. uitsluitend het defecte artikel zonder accessoires (bijv. accu, opbergkoffer, montagegereedschap, enz.).



Op www.lidl-service.com kunt u deze en vele andere handboeken, productvideo's en software downloaden.

Service

NL Service Nederland

Tel.: 0900 0400223 (0,10 EUR/Min.)

E-Mail: kompernass@lidl.nl

BE Service België

Tel.: 070 270 171 (0,15 EUR/Min.)

E-Mail: kompernass@lidl.be

IAN 315471

Importeur

Let op: het onderstaande adres is geen serviceadres. Neem eerst contact op met het opgegeven serviceadres.

KOMPERNASS HANDELS GMBH

BURGSTRASSE 21

DE-44867 BOCHUM

DUITSLAND

www.kompernass.com

Vertaling van de oorspronkelijke conformiteitsverklaring

Wij, KOMPERNASS HANDELS GMBH, documentverantwoordelijke: de heer Semi Uguzlu, BURGSTR. 21, DE - 44867 BOCHUM, DUITSLAND, verklaren hierbij dat dit product voldoet aan de volgende normen, normatieve documenten en EU-richtlijnen:

**Machinerichtlijn
(2006/42/EC)**

Toegepaste geharmoniseerde normen:

EN ISO 11148-1: 2011

Typeaanduiding van het apparaat:

PERSLUCHT-BLINDNIETPISTOOL PDBNP 14 B1

Productiejaar: 02-2019

Serienummer: IAN 315471

Bochum, 08-01-2019



Semi Uguzlu

- Kwaliteitsmanager -

Technische wijzigingen vanwege verdere ontwikkeling voorbehouden.

Inhaltsverzeichnis

Einleitung	42
Bestimmungsgemäßer Gebrauch	42
Bedienelemente (Abb. A)	42
Zubehör (Abb. B)	42
Lieferumfang	42
Technische Daten	42
Allgemeine Sicherheitshinweise für Druckluftgeräte	43
Gefährdungen durch herausgeschleuderte Teile	44
Gefährdungen im Betrieb	44
Gefährdungen durch wiederholte Bewegungen	44
Gefährdungen durch Zubehörteile	45
Gefährdungen am Arbeitsplatz	45
Gefährdungen durch Lärm	45
Gefährdungen durch Schwingungen	45
Zusätzliche Sicherheitsanweisungen für pneumatische Maschinen	46
Vor der Inbetriebnahme	46
Schmierung	46
Öl nachfüllen	47
Anschluss an eine Druckluftquelle	47
Bedienung	47
Wartung und Reinigung	48
Greifbacken wechseln	49
Fehlerbehebung	50
Entsorgung	51
Garantie der Kompersnaß Handels GmbH	51
Service	52
Importeur	52
Original - Konformitätserklärung	53

DRUCKLUFT-BLINDNIETPISTOLE PDBNP 14 B1




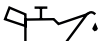
Einleitung

Wir beglückwünschen Sie zum Kauf Ihres neuen Gerätes. Sie haben sich damit für ein hochwertiges Produkt entschieden. Die Bedienungsanleitung ist Teil dieses Produkts. Sie enthält wichtige Hinweise für Sicherheit, Gebrauch und Entsorgung. Machen Sie sich vor der Benutzung des Produkts mit allen Bedien- und Sicherheitshinweisen vertraut. Benutzen Sie das Produkt nur wie beschrieben und für die angegebenen Einsatzbereiche. Händigen Sie alle Unterlagen bei Weitergabe des Produkts an Dritte mit aus.

Bestimmungsgemäßer Gebrauch

Die Druckluft-Blindnietpistole ist zum Verbinden von geeigneten Materialien mittels Nietverbindung bestimmt. Jede andere Verwendung oder Veränderung des Gerätes gilt als nicht bestimmungsgemäß und birgt erhebliche Unfallgefahren. Für aus bestimmungswidriger Verwendung entstandene Schäden übernehmen wir keine Haftung. Das Gerät ist nur für den privaten Einsatz bestimmt.

Symbole auf dem Druckluftwerkzeug:

	Vor der Inbetriebnahme die Bedienungsanleitung lesen.
	Tragen Sie eine Staubschutzmaske.
	Tragen Sie beim Einsatz oder Wartung der Blindnietpistole stets einen Augenschutz.
	Tragen Sie stets Gehörschutz.
	Regelmäßig ölen

Bedienelemente (Abb. A)

(Abbildungen siehe Ausklappseiten)

- ➊ Mundstück (4,8 mm vormontiert)
- ➋ Vordere Buchse
- ➌ Sechskantaufnahme der vorderen Buchse
- ➍ Auslöser
- ➎ Schmiermittelöffnung
- ➏ Anschlussnippel
- ➐ Handgriff
- ➑ Gewinde für Stiftaufangbehälter

Zubehör (Abb. B)

- ➒ Montageschlüssel 10 | 15 | 24 mm
- ➓ Montageschlüssel 14 | 19 mm
- ➔ 4 × 20 Nieten (2,4 – 3,2 – 4,0 – 4,8 mm)
- ➕ Öl-Behälter
- ➖ 3 Wechselmundstücke (2,4 – 3,2 – 4,0 mm)
- ➗ Stiftaufangbehälter mit Befestigungsring
- ➘ 2 × Ersatz-Greifbacken

Lieferumfang

- 1 Druckluft-Blindnietpistole
- 4 Mundstücke (2,4 – 3,2 – 4,0 – 4,8 mm)
- 2 Montageschlüssel
- 1 Anschlussnippel (vormontiert) je 20 Nieten (2,4 – 3,2 – 4,0 – 4,8 mm)
- 1 Öl-Behälter
- 1 Stiftaufangbehälter
- 2 Greifbacken
- 1 Tragekoffer
- 1 Bedienungsanleitung

Technische Daten

- Arbeitsdruck: max. 6,3 bar
- Luftverbrauch: 127 l/min (durchschnittlich)
- Hublänge: 17 mm
- Zugkraft: min. 7.050N
- Druckluftanschluss: 1/4"

Geräuschemissionswert:

Messwert für Geräusch ermittelt entsprechend ISO 15744. Der bewertete Geräuschpegel des Werkzeugs beträgt typischerweise:

Schalldruckpegel:	$L_{pA} = 76,1 \text{ dB (A)}$
Unsicherheit:	$K_{pA} = 3 \text{ dB}$
Schallleistungspegel:	$L_{WA} = 87,1 \text{ dB (A)}$
Unsicherheit:	$K_{WA} = 3 \text{ dB}$

Gehörschutz tragen!

Schwingungsgesamtwert:

Schwingungsgesamtwerte ermittelt entsprechend ISO 28927-6 und EN 12096:

Schwingungsemissionswert $a_h \leq 0,85 \text{ m/s}^2$

Unsicherheit $K_h = 0,59 \text{ m/s}^2$

HINWEIS

- Die in diesen Anweisungen angegebenen Geräuschemissionswerte und Schwingungswerte sind entsprechend genormten Messverfahren gemessen worden und können für den Gerätevergleich verwendet werden. Die Geräuschemissionswerte und Schwingungswerte werden sich entsprechend dem Einsatz des Druckluftwerkzeugs verändern und können in manchen Fällen über dem in diesen Anweisungen angegebenen Werten liegen. Die Geräuschemissionswerte und Schwingungswerte könnten unterschätzt werden, wenn das Druckluftwerkzeug regelmäßig in solcher Weise verwendet wird.



Allgemeine Sicherheitshinweise für Druckluftgeräte

! WARNUNG!

- Für mehrfache Gefährdungen: Die Sicherheitshinweise sind vor dem Einrichten, dem Betrieb, der Reparatur, der Wartung und dem Austausch von Zubehörteilen der Maschine sowie vor der Arbeit in der Nähe der Maschine für gewindelose Befestigungen zu lesen und müssen verstanden werden. Ist dies nicht der Fall, so kann dies zu schweren körperlichen Verletzungen führen.
- Die Maschine sollte ausschließlich von entsprechend qualifizierten und geschulten Bedienungspersonen eingerichtet, eingestellt oder verwendet werden.
- Diese Maschine für gewindelose Befestigungen darf nicht verändert werden. Veränderungen können die Wirksamkeit der Sicherheitsmaßnahmen verringern und die Risiken für die Bedienungsperson erhöhen.
- Die Sicherheitsanweisungen dürfen nicht verloren gehen – Geben Sie sie der Bedienungsperson.
- Benutzen Sie niemals beschädigte Maschinen für gewindelose Befestigungen.
- Das Gerät muss regelmäßig einer Inspektion unterzogen werden, um zu überprüfen, dass das Gerät mit den in dieser Anleitung geforderten Bemessungswerten und Kennzeichnungen gekennzeichnet ist. Der Benutzer muss den Hersteller kontaktieren, um erforderlichenfalls Ersatzschilder zu erhalten.

Gefährdungen durch herausgeschleuderte Teile

- Trennen Sie die Maschine für gewindelose Befestigungen von der Stromversorgung, bevor Sie das Maschinenwerkzeug oder Zubehörteile austauschen.
- Bei einem Bruch des Werkstücks oder von Zubehörteilen oder gar des Maschinenwerkzeugs selbst können Teile mit hoher Geschwindigkeit herausgeschleudert werden.
- Beim Betrieb der Maschine ist immer ein schlagfester Augenschutz zu tragen. Der Grad des erforderlichen Schutzes sollte für jede einzelne Verwendung gesondert bewertet werden.
- In diesem Falle sollten auch die Risiken für andere Personen bewertet werden.
- Es ist sicherzustellen, dass das Werkstück sicher befestigt ist.
- Es ist zu überprüfen, ob ein Schutz gegen das Herausschleudern von Befestigungselementen und/oder Nietschäften vorhanden und wirksam ist.

Gefährdungen im Betrieb

- Beim Einsatz der Maschine können die Hände der Bedienungsperson Gefährdungen wie z. B. Quetschungen, Schlägen, Schnitten sowie Abschürfungen und Wärme ausgesetzt sein. Tragen Sie geeignete Handschuhe zum Schutz der Hände.
- Die Bedienungsperson und das Wartungspersonal müssen physisch in der Lage sein, die Größe, die Masse und die Leistung der Maschine zu handhaben.
- Halten Sie die Maschine richtig: Seien Sie bereit, den üblichen oder plötzlichen Bewegungen entgegenzuwirken – halten Sie beide Hände bereit.
- Achten Sie darauf, dass Ihr Körper im Gleichgewicht ist und dass Sie sicheren Halt haben.
- Geben Sie Befehlseinrichtung zum Ingang- und Stillsetzen im Falle einer Unterbrechung der Energieversorgung frei.
- Verwenden Sie nur die vom Hersteller empfohlenen Schmiermittel.

- Vermeiden Sie ungeeignete Körperhaltungen, da diese Körperhaltungen sehr wahrscheinlich eine Reaktion auf normale oder unerwartete Bewegungen der Maschine unmöglich machen.
- Wenn die Maschine für gewindelose Befestigungen an einer Aufhängevorrichtung befestigt ist, muss die Befestigung gesichert sein;
- Achten Sie auf das Risiko einer Quetschgefahr, wenn die Ausrüstung am Maschinenkopf nicht angebracht ist.

Gefährdungen durch wiederholte Bewegungen

- Bei der Verwendung einer Maschine für gewindelose Befestigungen kann es möglicherweise bei der Bedienungsperson zu unangenehmen Empfindungen in den Händen und Armen, sowie im Hals- und Schulterbereich oder an anderen Körperteilen kommen.
- Bei der Verwendung einer Maschine für gewindelose Befestigungen sollte die Bedienungsperson eine bequeme Körperhaltung einnehmen. Achten Sie auf sicheren Halt und vermeiden Sie ungünstige Körperhaltungen oder solche, bei denen es schwierig ist, das Gleichgewicht zu halten. Die Bedienungsperson sollte im Verlauf von lang andauernden Arbeiten die Körperhaltung verändern, was hilfreich bei der Vermeidung von Unannehmlichkeiten und Ermüdung sein kann.
- Falls die Bedienungsperson Symptome wie z. B. andauerndes oder wiederholt auftretendes Unwohlsein, Beschwerden, Pochen, Schmerz, Kribbeln, Taubheit, Brennen oder Steifheit an sich wahrnimmt, sollten diese Anzeichen nicht ignoriert werden. Die Bedienungsperson sollte einen entsprechend qualifizierten Mediziner konsultieren.

Gefährdungen durch Zubehörteile

- Trennen Sie die Maschine für gewindelose Befestigungen vor dem Auswechseln des Maschinenwerkzeugs oder von Zubehörteilen von der Energieversorgung.
- Verwenden Sie ausschließlich Zubehörteile und Verbrauchsmaterialien der vom Hersteller der Maschine für gewindelose Befestigungen empfohlenen Größen und Typen; verwenden Sie keine anderen Typen oder Größen der Zubehörteile und Verbrauchsmaterialien.

Gefährdungen am Arbeitsplatz

- Ausrutschen, Stolpern und Stürzen sind Hauptgründe für Verletzungen am Arbeitsplatz. Achten Sie auf Oberflächen, die durch den Gebrauch der Maschine rutschig geworden sein können, und auf durch den Luft- oder den Hydraulikschlauch bedingte Stolpergefahren.
- Gehen Sie in unbekanntem Umgebungen mit Vorsicht vor. Es können versteckte Gefährdungen durch Strom- oder sonstige Versorgungsleitungen gegeben sein.
- Diese Maschine für gewindelose Befestigungen ist nicht zum Einsatz in explosionsfähigen Atmosphären bestimmt und nicht gegen den Kontakt mit elektrischen Stromquellen isoliert.
- Stellen Sie sicher, dass keine elektrischen Leitungen, Gasrohrleitungen usw. vorhanden sind, die im Falle der Beschädigung durch die Verwendung der Maschine zu einer Gefährdung führen könnten.

Gefährdungen durch Lärm

- Die Einwirkung hoher Lärmpegel kann bei ungenügendem Gehörschutz zu dauerhaften Gehörschäden, Hörverlust und anderen Problemen, wie z. B. Tinnitus (Klingeln, Sausen, Pfeifen oder Summen im Ohr), führen.
- Es ist unerlässlich, eine Risikobewertung in Bezug auf diese Gefährdungen durchzuführen und entsprechende Regelungsmechanismen zu implementieren.
- Zu den für die Risikominderung geeigneten Regelungsmechanismen gehören Maßnahmen wie z. B. die Verwendung von Dämmstoffen, um an den Werkstücken auftretende Klingelgeräusche zu vermeiden.

- Verwenden Sie Gehörschutzausrüstungen nach den Anweisungen Ihres Arbeitgebers oder wie nach den Arbeits- und Gesundheitsschutzvorschriften gefordert.
- Die Verbrauchsmaterialien/Maschinenwerkzeuge sind den Empfehlungen dieser Anleitung entsprechend auszuwählen, zu warten und zu ersetzen, um eine unnötige Erhöhung des Lärmpegels zu vermeiden.
- Stellen Sie, falls die Maschine mit einem Schalldämpfer ausgestattet ist, immer sicher, dass dieser an seinem Platz und funktionstüchtig ist, wenn die Maschine in Betrieb ist.

Gefährdungen durch Schwingungen

- Die Einwirkung von Schwingungen kann Schädigungen an den Nerven und Störungen der Blutzirkulation in Händen und Armen verursachen.
- Tragen Sie bei Arbeiten in kalter Umgebung warme Kleidung und halten Sie ihre Hände warm und trocken.
- Falls Sie ein Taubheitsgefühl, Kribbeln oder Schmerzen in Ihren Fingern oder Händen feststellen oder sich die Haut an Ihren Fingern oder Händen weiß verfärbt, stellen Sie die Arbeit mit der Maschine für gewindelose mechanische Befestigungen ein, informieren Sie Ihren Arbeitgeber und konsultieren Sie einen Arzt.
- Zum Halten der Masse der Maschine ist ein Ständer, ein Spanner oder eine Ausgleichsrichtung zu verwenden, da die Bedienungsperson die Maschine dann nicht so fest greifen muss, um sie zu halten.

Zusätzliche Sicherheitsanweisungen für pneumatische Maschinen

- Druckluft kann ernsthafte Verletzungen verursachen.
 - Sorgen Sie im Falle, dass die Maschine nicht gebraucht wird, sowie vor dem Austausch von Zube-hörteilen oder vor der Ausführung von Reparaturarbeiten immer dafür, dass die Luftzufuhr geschlossen ist, der Luftschlauch nicht unter Druck steht und dass die Maschine von der Luftzufuhr getrennt wird.
 - Richten Sie den Luftstrom niemals gegen sich selbst oder gegen andere Personen.
- Umherschlagende Schläuche können ernsthafte Verletzungen verursachen. Überprüfen Sie immer, ob die Schläuche und Befestigungsmittel unbeschädigt sind oder sich nicht gelöst haben.
- Kalte Luft ist von den Händen fortzuleiten.
- Falls Universal-Drehkupplungen (Klauenkupplungen) verwendet werden, müssen Arretierstifte eingesetzt werden; Whipcheck-Schlauchsicherungen müssen verwendet werden, um Schutz für den Fall eines Versagens der Verbindung des Schlauchs mit der Maschine und von Schläuchen untereinander zu bieten.
- Sorgen Sie dafür, dass der auf der Maschine angegebene Höchstdruck nicht überschritten wird.
- Tragen Sie mit Luft betriebene Maschinen niemals am Schlauch.


Vor der Inbetriebnahme

HINWEIS

- ▶ Die Blindnietpistole darf ausschließlich mit gereinigter, ölvernebelter Druckluft betrieben werden und darf den maximalen Arbeitsdruck von 6,3 bar am Gerät nicht überschreiten. Zur Regulierung des Arbeitsdruckes muss der Kompressor mit einem Druckminderer ausgestattet sein.
- ▶ Beachten Sie, dass der maximale Arbeitsdruck nicht überschritten werden darf. Ein überhöhter Arbeitsdruck bringt keinen Leistungsgewinn, sondern erhöht lediglich den Luftverbrauch und beschleunigt den Geräteverschleiß. Halten Sie sich daher stets an die technischen Angaben.

Schmierung

HINWEIS

- ▶ Zur Vermeidung von Reibung- und Korrosionsschäden ist eine regelmäßige Schmierung besonders wichtig. Wir empfehlen ein geeignetes Druckluft-Spezialöl zu verwenden (z. B. Liqui Moly Kompressorenöl).
 - **Schmierung mit Nebelöler**
Als Aufbereitungsstufe nach dem Druckminderer schmiert ein Nebelöler (nicht im Lieferumfang enthalten) Ihr Gerät kontinuierlich und optimal. Ein Nebelöler gibt in feinen Tropfen Öl an die durchströmende Luft ab und garantiert so eine regelmäßige Schmierung.
 - **Manuelle Schmierung**
Wenn Sie über keinen Nebelöler verfügen, nehmen Sie vor jeder Inbetriebnahme bzw. bei längeren Arbeitsgängen eine Schmierung vor. Lassen Sie dazu 3 - 5 Tropfen Druckluft-Spezialöl in die Schmiermittelöffnung  tropfen.

Öl nachfüllen

Damit die Blindnietpistole lange einsatzfähig bleibt, muss ausreichend Pneumatik-Öl im Gerät vorhanden sein.

Folgende Möglichkeiten stehen Ihnen zur Verfügung:

- ◆ Schließen Sie eine Wartungseinheit mit Öler am Kompressor an.
- ◆ Installieren Sie einen Anbauöler in der Druckluftleitung oder am Druckluftgerät.
- ◆ Geben Sie alle 15 Betriebsminuten ca. 3 - 5 Tropfen Pneumatik-Öl aus dem mitgelieferten Öl-Behälter 12 von Hand in den Anschlussnippel 6.
- ◆ Beim ersten Öffnen des Öl-Behälters 12 drehen Sie die Überwurfmutter vom Behälter ab. Nehmen Sie die nach innen gerichtete Pipette mit einer Schnabelzange o.Ä. heraus.
- ◆ Setzen Sie sie um 180° gedreht wieder auf und schrauben Sie sie mit der Überwurfmutter wieder fest.
- ◆ Machen Sie mit einer Nadel o.Ä. eine kleine Öffnung in die Spitze der Pipette, um Öl heraus tropfen lassen zu können.

Anschluss an eine Druckluftquelle

HINWEIS

- ▶ Vor Anschluss der Druckluftquelle
 - muss der richtige Arbeitsdruck (3 - 6 bar) vollständig aufgebaut sein
 - ist sicherzustellen, dass der Auslöser 4 nicht gezogen ist
- ◆ Schieben Sie den Anschluss des Versorgungsschlauches über den Schnellverschluss des Anschlussnippels 6, so dass dieser spürbar einrastet.

HINWEIS

Damit Sie den Luftdruck regulieren können, muss die Druckluftquelle mit einem Druckminderer ausgestattet sein.

Bedienung

- ◆ Sobald das Gerät mit Luftdruck versorgt wird, ist es einsatzbereit.
- ◆ Schrauben Sie den Stiftaufangbehälter 14 auf das Gewinde 8 hinten an der Maschine.
- ◆ Ermitteln Sie anhand der zu verbindenden Werkstücke die zu verwendende Nietgröße.
- ◆ Bohren Sie mit einem geeigneten Werkzeug ein Loch an der Stelle durch die zu verbindenden Werkstücke, an der die Niete 11 sitzen soll. Achten Sie darauf, dass der Durchmesser des Lochs der ermittelten Nietgröße entspricht.

! ACHTUNG!

- ▶ Je nach Größe und Art der Werkstücke sind entsprechende Sicherheitsvorkehrungen zu treffen. Verwenden Sie geeignete Klemmrichtungen, um ein Verrutschen der Werkstücke zu verhindern.
- ▶ Im Falle einer Unterbrechung der Druckluftversorgung, lassen Sie den Auslöser 4 sofort los.
- ▶ Bevor die Maschine eingeschaltet wird, ist das Maschinenwerkzeug fest auf der zu bearbeitenden Oberfläche aufzusetzen.
- ◆ Prüfen Sie, ob der Durchmesser des gerade montierten Mundstücks 1 zum Dorn Durchmesser der ermittelten Nietgröße passt.
- ◆ Wenn nicht, schrauben Sie die vordere Buchse 2 ggf. mit Hilfe des Montageschlüssels 9 vom Gerät ab.

⚠ ACHTUNG!

- ▶ Trennen Sie das Gerät unbedingt von der Druckluftquelle, bevor Sie die vordere Buchse **2** aufsetzen oder lösen.
- ◆ Schrauben Sie ggf. mit Hilfe des Montageschlüssels **9** das Mundstück **1** von der vorderen Buchse **2** ab. Dann schrauben Sie das passende Wechselmundstück **13** in die vordere Buchse **2** ein und ziehen es fest an.
- ◆ Zum Anschrauben der vorderen Buchse **2** drücken Sie diese über einen leichten Widerstand hinweg an das Gewinde und drehen sie handfest.
- ◆ Mit Hilfe des Montageschlüssels **9** ziehen Sie die vordere Buchse **2** fest an.
- ◆ Schließen Sie das Gerät wieder an die Druckluftversorgung an.
- ◆ Setzen Sie den Nietkörper in das Bohrloch ein.
- ◆ Bewegen Sie das Gerät so über die Niete **11**, dass deren Dorn in das Mundstück **1** gleitet und darin vollständig aufgenommen wird.
- ◆ Ziehen Sie den Auslöser **4**. Der Dorn wird nun in das Gerät gezogen, vom Nietkörper getrennt und die Nietverbindung dadurch dauerhaft gesetzt.
Wiederholen Sie den Vorgang ggf. so oft, bis der Dorn vollständig vom Nietkörper getrennt ist.

HINWEIS

Um den Dorn in den Auffangbehälter **14** zu bekommen, ist ein bewusstes Abkippen des Gerätes nach hinten erforderlich.

- ◆ Verfahren Sie mit weiteren zu setzenden Nieten **11** entsprechend.
- ◆ Leeren Sie den Stiftaufangbehälter **14** von Zeit zu Zeit aus.
- ◆ Nach Beendigung aller Arbeiten, trennen Sie das Gerät von der Druckluftquelle.

Wartung und Reinigung

WARNUNG! VERLETZUNGSGEFAHR!
Trennen Sie vor **Wartungsarbeiten** das Gerät vom **Druckluftnetz**.

⚠ ACHTUNG!

- ▶ Reinigen Sie das Gerät vor der Wartung von gefährlichen Substanzen, die sich (aufgrund von Arbeitsprozessen) auf diesem abgelagert haben. Vermeiden Sie jeden Hautkontakt mit diesen Substanzen. Wenn die Haut mit gefährlichen Stäuben in Kontakt kommt, kann dies zu schwerer Dermatitis führen.
- ▶ Die beim Einsatz des Gerätes entstehenden Stäube und Dämpfe können gesundheitliche Schäden (wie z. B. Krebs, Geburtsfehler, Asthma und/oder Dermatitis) verursachen; es ist unerlässlich, eine Risikobewertung in Bezug auf diese Gefährdungen durchzuführen und entsprechende Regelungsmechanismen umzusetzen.

HINWEIS

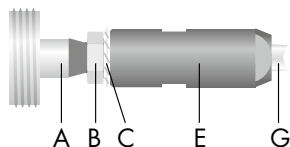
Um eine einwandfreie Funktion und lange Haltbarkeit der Blindnietpistole zu gewährleisten, sind folgende Punkte zu beachten:

- Eine ausreichende und ständig intakte Ölschmierung ist für eine optimale Funktion von ganz entscheidender Bedeutung.
- Benutzen Sie nur Originalersatz- bzw. Austauschteile des Herstellers, da sonst Gefahr für die Benutzer besteht. Kontaktieren Sie im Zweifel das Service-Center.
- Verwenden Sie ausschließlich Zubehörteile und Verbrauchsmaterialien der vom Hersteller empfohlenen Größen und Typen.
- Reinigen Sie das Gerät nur mit einem trockenen, weichen Tuch oder mit Druckluft.
- Verwenden Sie auf keinen Fall scharfe und/oder kratzende Reinigungsmittel.

Greifbacken wechseln

Durch Abrieb können die Greifbacken **15** verschleifen. Tauschen Sie in diesem Falle die verschlissenen Greifbacken **15** gegen die mitgelieferten Ersatz-Greifbacken **15** wie folgt aus.

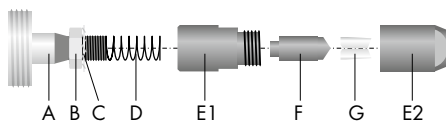
- ◆ Schrauben Sie die vordere Buchse **2** ggf. mit Hilfe des Montageschlüssels **9** vom Gerät ab. Folgende Teile werden nun zugänglich:



A	Geräteachse
B	Kontermutter
C	Zahnscheibe
E	zweiteiliger Metallkonus
G	Greifbacken

- ◆ Schrauben Sie den zweiteiligen Metallkonus (E), der die Greifbacken (G) hält, ggf. mit Hilfe der beiden Montageschlüssel **9** und **10** von der Geräteachse (A) ab.

- ◆ Schrauben Sie ggf. mit Hilfe der beiden Montageschlüssel **9** und **10** den vorderen und hinteren Teil des Metallkonuses (E2, E1) voneinander los. Folgende Teile werden nun zugänglich:



A	Geräteachse
B	Kontermutter
C	Zahnscheibe
D	Feder
E1	hinterer Teil des Metallkonuses
F	Spreizdorn
G	Greifbacken
E2	vorderer Teil des Metallkonuses

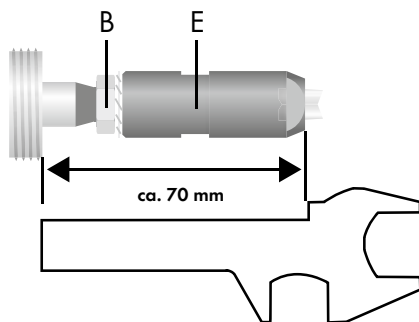
- ◆ Nehmen Sie den Spreizdorn (F) und die verschlissenen Greifbacken (G) aus dem vorderen Teil des Metallkonuses (E2).

- ◆ Setzen Sie die neuen Greifbacken (G) so in den vorderen Teil des Metallkonuses (E2) ein, dass die schmalen Enden aus dessen Öffnung ragen.

HINWEIS

Beide Greifbacken (G) müssen dabei bündig miteinander abschließend aus der Öffnung ragen. Am besten halten Sie den vorderen Teil des Metallkonuses (E2) dabei vertikal mit den Greifbacken (G) nach unten zeigend.

- ◆ Setzen Sie den Spreizdorn (F) so ein, dass dessen Spitzen in die Kerbe greifen, die die hinteren Enden der Greifbacken (G) bilden.
- ◆ Schrauben Sie den vorderen und hinteren Teil des Metallkonuses (E2, E1) mit Hilfe der beiden Montageschlüssel **9** und **10** miteinander fest.
- ◆ Schrauben Sie den Metallkonus (E) wieder auf die Geräteachse (A) und ziehen Sie den Metallkonus mit Hilfe des Montageschlüssels **9** fest an. Dabei arretieren Sie die Kontermutter (B) mit Hilfe des Montageschlüssels **10**.
- ◆ Überprüfen Sie nach Montage des Metallkonus (E) den Abstand zwischen Gewinde und Metallkonus (E). Dieser muss ca. 70 mm betragen. Sie können den Montageschlüssel **10** als Messhilfe verwenden. Passen Sie das Maß ggf. durch Verstellen der Kontermutter (B) an.



- ◆ Zum Anschrauben der vorderen Buchse **2** drücken Sie diese über einen leichten Widerstand hinweg an das Gewinde und drehen sie handfest.
- ◆ Mit Hilfe des Montageschlüssels **9** ziehen Sie die vordere Buchse **2** fest an.

Fehlerbehebung

Fehler	Mögliche Ursache	Behebung
Nietleistung zu gering, etwas Luft tritt aus dem Auslass aus.	Bewegte Teile durch Schmutz verklemmt.	Filter der Druckversorgung auf Verschmutzung prüfen.
	Druckversorgung zu niedrig.	Filter der Druckversorgung auf Verschmutzung prüfen.
		Gerät schmieren, wie in der Anleitung beschrieben.
		Wenn nötig, Angaben von oben wiederholen.
Gerät arbeitet nicht, Druckluft tritt komplett beim Auslass aus.	Bewegte Teile sitzen aufgrund von Materialansammlung fest.	Gerät schmieren, wie in der Anleitung beschrieben.

Entsorgung

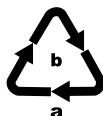


Die Verpackung besteht aus umweltfreundlichen Materialien. Sie kann in den örtlichen Recyclebehältern entsorgt werden.

Werfen Sie das Gerät nicht in den Hausmüll!

Möglichkeiten zur Entsorgung des ausgedienten Gerätes erfahren

Sie bei Ihrer Gemeinde- oder Stadtverwaltung.



Entsorgen Sie die Verpackung umweltgerecht.

Beachten Sie die Kennzeichnung auf den verschiedenen Verpackungsmaterialien und trennen Sie diese gegebenenfalls gesondert. Die Verpackungsmaterialien sind gekennzeichnet mit Abkürzungen (a) und Ziffern (b) mit folgender Bedeutung:

1 - 7: Kunststoffe,

20 - 22: Papier und Pappe,

80 - 98: Verbundstoffe



Möglichkeiten zur Entsorgung des ausgedienten Produkts erfahren Sie bei Ihrer Gemeinde- oder Stadtverwaltung.

Garantie der Kompernaß Handels GmbH

Sehr geehrte Kundin, sehr geehrter Kunde,

Sie erhalten auf dieses Gerät 3 Jahre Garantie ab Kaufdatum. Im Falle von Mängeln dieses Produkts stehen Ihnen gegen den Verkäufer des Produkts gesetzliche Rechte zu. Diese gesetzlichen Rechte werden durch unsere im Folgenden dargestellte Garantie nicht eingeschränkt.

Garantiebedingungen

Die Garantiefrist beginnt mit dem Kaufdatum. Bitte bewahren Sie den Original-Kassenbon gut auf. Diese Unterlage wird als Nachweis für den Kauf benötigt.

Tritt innerhalb von drei Jahren ab dem Kaufdatum dieses Produkts ein Material- oder Fabrikationsfehler auf, wird das Produkt von uns – nach unserer Wahl – für Sie kostenlos repariert oder ersetzt.

Diese Garantieleistung setzt voraus, dass innerhalb der Drei-Jahres-Frist das defekte Gerät und der Kaufbeleg (Kassenbon) vorgelegt und schriftlich kurz beschrieben wird, worin der Mangel besteht und wann er aufgetreten ist.

Wenn der Defekt von unserer Garantie gedeckt ist, erhalten Sie das reparierte oder ein neues Produkt zurück. Mit Reparatur oder Austausch des Produkts beginnt kein neuer Garantiezeitraum.

Garantiezeit und gesetzliche Mängelansprüche

Die Garantiezeit wird durch die Gewährleistung nicht verlängert. Dies gilt auch für ersetzte und reparierte Teile. Eventuell schon beim Kauf vorhandene Schäden und Mängel müssen sofort nach dem Auspacken gemeldet werden. Nach Ablauf der Garantiezeit anfallende Reparaturen sind kostenpflichtig.

Garantieumfang

Das Gerät wurde nach strengen Qualitätsrichtlinien sorgfältig produziert und vor Auslieferung gewissenhaft geprüft.

Die Garantieleistung gilt für Material- oder Fabrikationsfehler. Diese Garantie erstreckt sich nicht auf Produktteile, die normaler Abnutzung ausgesetzt sind und daher als Verschleißteile angesehen werden können oder für Beschädigungen an zerbrechlichen Teilen, z. B. Schalter, Akkus, Backformen oder Teile die aus Glas gefertigt sind.

Diese Garantie verfällt, wenn das Produkt beschädigt, nicht sachgemäß benutzt oder gewartet wurde. Für eine sachgemäße Benutzung des Produkts sind alle in der Bedienungsanleitung aufgeführten Anweisungen genau einzuhalten. Verwendungszwecke und Handlungen, von denen in der Bedienungsanleitung abgeraten oder vor denen gewarnt wird, sind unbedingt zu vermeiden.

Das Produkt ist nur für den privaten und nicht für den gewerblichen Gebrauch bestimmt. Bei missbräuchlicher und unsachgemäßer Behandlung, Gewaltanwendung und bei Eingriffen, die nicht von unserer autorisierten Service-Niederlassung vorgenommen wurden, erlischt die Garantie.

Abwicklung im Garantiefall

Um eine schnelle Bearbeitung ihres Anliegens zu gewährleisten, folgen Sie bitte den folgenden Hinweisen:

- Bitte halten Sie für alle Anfragen den Kassenbon und die Artikelnummer (z. B. IAN 12345) als Nachweis für den Kauf bereit.
- Die Artikelnummer entnehmen Sie bitte dem Typenschild, einer Gravur, auf dem Titelblatt ihrer Anleitung (unten links) oder als Aufkleber auf der Rück- oder Unterseite.
- Sollten Funktionsfehler oder sonstige Mängel auftreten, kontaktieren Sie zunächst die nachfolgend benannte Serviceabteilung **telefonisch** oder per **E-Mail**.
- Ein als defekt erfasstes Produkt können Sie dann unter Beifügung des Kaufbelegs (Kassenbon) und der Angabe, worin der Mangel besteht und wann er aufgetreten ist, für Sie portofrei an die Ihnen mitgeteilte Service-Anschrift übersenden.

HINWEIS

- ▶ Bei Parkside und Florabest Werkzeugen senden Sie bitte ausschließlich den defekten Artikel ohne Zubehör (z. B. Akku, Aufbewahrungskoffer, Montagewerkzeuge, etc) ein.



Auf www.lidl-service.com können Sie diese und viele weitere Handbücher, Produktvideos und Software herunterladen.

Service

DE Service Deutschland

Tel.: 0800 5435 111 (Kostenfrei aus dem dt. Festnetz/Mobilfunknetz)
E-Mail: kompernass@lidl.de

AT Service Österreich

Tel.: 0820 201 222 (0,15 EUR/Min.)
E-Mail: kompernass@lidl.at

CH Service Schweiz

Tel.: 0842 665566 (0,08 CHF/Min., Mobilfunk max. 0,40 CHF/Min.)
E-Mail: kompernass@lidl.ch

IAN 315471

Importeur

Bitte beachten Sie, dass die folgende Anschrift keine Serviceanschrift ist. Kontaktieren Sie zunächst die benannte Servicestelle.

KOMPERNASS HANDELS GMBH
BURGSTRASSE 21
DE-44867 BOCHUM
DEUTSCHLAND
www.kompernass.com

Original - Konformitätserklärung

Wir, KOMPERNASS HANDELS GMBH, Dokumentenverantwortlicher: Herr Semi Uguzlu, BURGSTR. 21, DE - 44867 BOCHUM, DEUTSCHLAND, erklären hiermit, dass dieses Produkt mit den folgenden Normen, normativen Dokumenten und EG-Richtlinien übereinstimmt:

Maschinenrichtlinie (2006 / 42 / EG)

Angewandte harmonisierte Normen:

EN ISO 11148-1: 2011

Typbezeichnung der Maschine: Druckluft-Blindnietpistole PDBNP 14 B1

Herstellungsjahr: 02-2019

Seriennummer: IAN 315471

Bochum, 08.01.2019



Semi Uguzlu

- Qualitätsmanager -

Technische Änderungen im Sinne der Weiterentwicklung sind vorbehalten.

KOMPERNASS HANDELS GMBH

BURGSTRASSE 21
DE-44867 BOCHUM
GERMANY
www.kompernass.com

Last Information Update

Version des informations - Stand van de informatie

Stand der Informationen: 01/2019 · Ident.-No.: PDBNP 14 B1-012019-1

IAN 315471