



DIAMOND STONE CUTTER PDFS 1300 A1

GB IE NI

DIAMOND STONE CUTTER

Translation of the original instructions

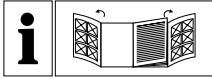
DE AT CH

DIAMANTSCHNEIDER

Originalbetriebsanleitung

IAN 312517

GB IE
NI



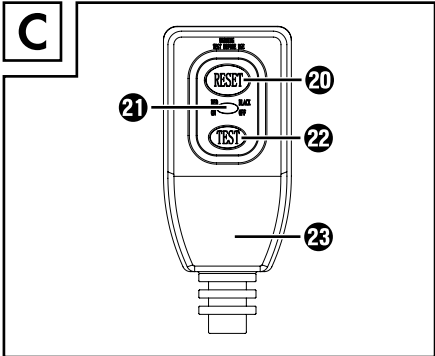
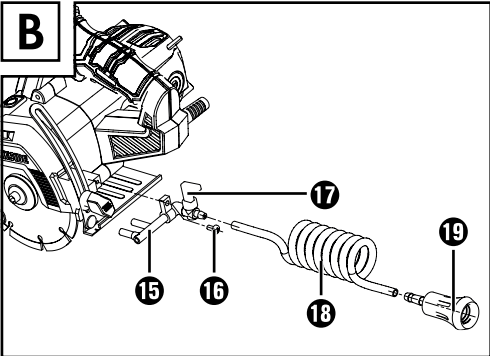
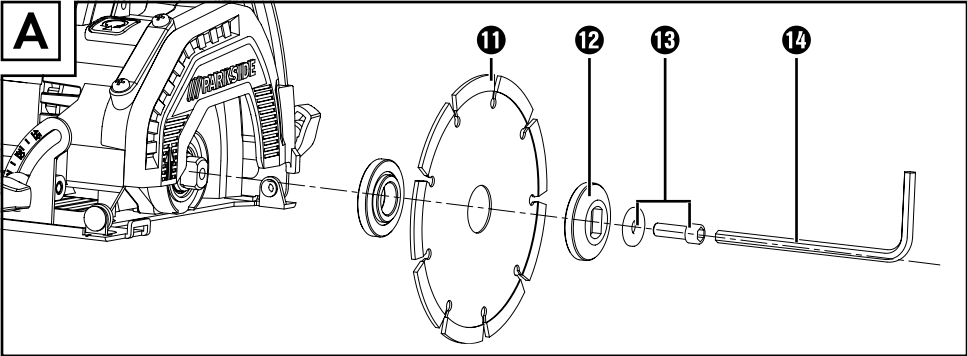
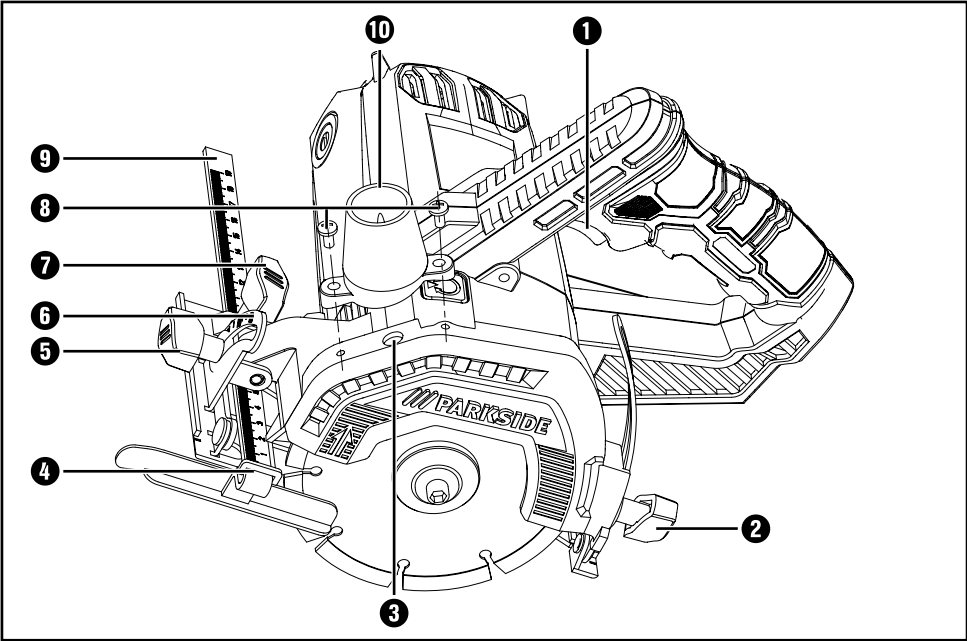
GB IE NI

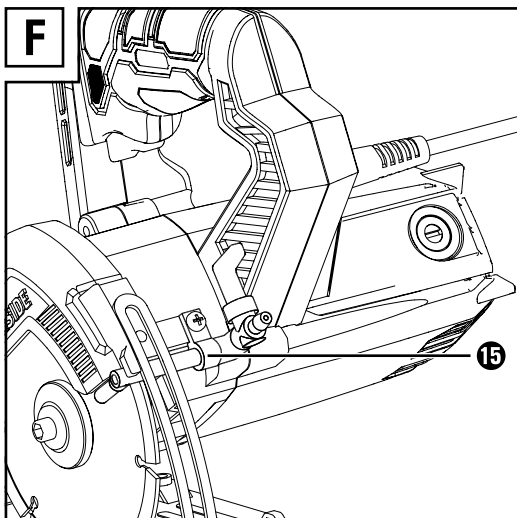
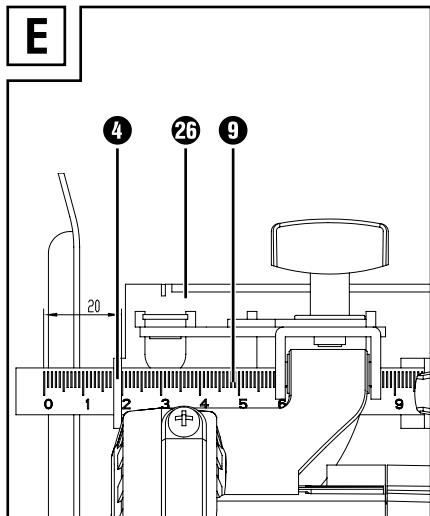
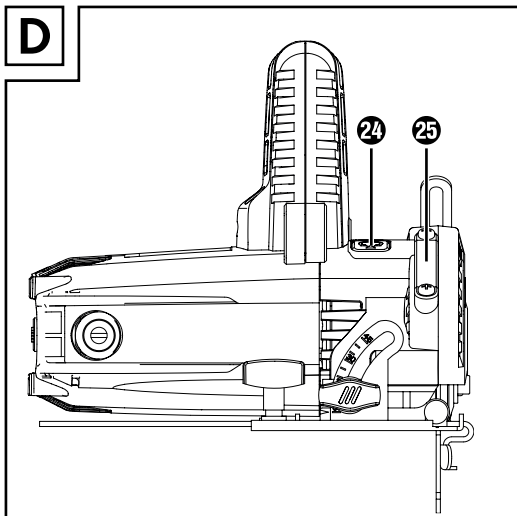
Before reading, unfold both pages containing illustrations and familiarise yourself with all functions of the device.

DE AT CH

Klappen Sie vor dem Lesen die beiden Seiten mit den Abbildungen aus und machen Sie sich anschließend mit allen Funktionen des Gerätes vertraut.

GB/IE/NI	Translation of the original instructions	Page	1
DE/AT/CH	Originalbetriebsanleitung	Seite	15





Contents

Introduction	2
Intended use	2
Features	2
Package contents	2
Technical data	2
General power tool safety warnings	3
1. Work area safety	3
2. Electrical safety	3
3. Personal safety	4
4. Power tool use and care	4
5. Service	4
Safety instructions for abrasive saws	5
Further safety instructions for abrasive cutting applications	7
Supplementary notes	8
Residual risks	8
Working procedures	8
Assembly	9
Fitting/changing the cutting disc	9
Fitting/setting the rip fence	9
Fitting the water inlet hose	9
Installing the dust extraction system	10
Operation	10
Residual current circuit breaker	10
Switching on and off	10
Setting the cutting angle	10
Setting the cutting depth	10
Handling the appliance	11
Maintenance and cleaning	11
Disposal	11
Kompernass Handels GmbH warranty	12
Service	13
Importer	13
Translation of the original Conformity Declaration	14

DIAMOND STONE CUTTER

PDFS 1300 A1

Introduction

Congratulations on the purchase of your new appliance. You have chosen a high-quality product. The operating instructions are part of this product. They contain important information about safety, usage and disposal. Before using the product, please familiarise yourself with all operating and safety instructions. Use the product only as described and for the range of applications specified. Please also pass these operating instructions on to any future owner.

Intended use

The appliance is designed to make cuts or slits in mineral materials on a stable support (with or without the use of water). The appliance is not suitable for cutting wood, plastic, metal or reinforced concrete.

Any other usage or modification of the appliance is deemed to be improper and carries a significant risk of accidents. Not for commercial use.

Features

- 1 ON/OFF switch
- 2 Locking screw
- 3 Dust outlet
- 4 Rip fence slot
- 5 Wing screw for cutting angle preselector
- 6 Cutting angle scale
- 7 Wing screw for rip fence slot
- 8 Screws
- 9 Rip fence
- 10 Vacuum adapter for dust extraction
- 11 Cutting disc
- 12 Clamping flange
- 13 Clamping screw/washer
- 14 Hex key
- 15 Water inlet
- 16 Accessory screw
- 17 Valve
- 18 Water inlet hose
- 19 Water connection adapter
- 20 RESET button
- 21 Indicator
- 22 Test button
- 23 Residual current circuit breaker

- 24 Spindle lock
- 25 Protective cover
- 26 Base plate

Package contents

- 1 diamond stone cutter
- 1 rip fence
- 1 vacuum adapter for dust extraction
- 1 hex key
- 1 cutting disc (pre-assembled)
- 1 water inlet hose
- 1 water connection adapter
- 1 water inlet
- 1 residual current circuit breaker
- 1 set of operating instructions

Technical data

Nominal power input: 1300 W

Nominal voltage: 230 V ~ 50 Hz (AC)

Thread size: M6

Rated speed: n 12000 rpm

Cutting discs: 1x Ø 125 mm x 2 mm x Ø 22.23 mm, 9 teeth



Max. cutting depth: At 0°: 40 mm



At 45°: 26.5 mm

Protection class: II/□ (double insulation)

Noise and vibration data:

Noise measurement value determined in accordance with EN 60745. The A-rated noise level of the power tool is typically:

Noise emission value:

Sound pressure level:	$L_{PA} =$	92.3	dB (A)
Uncertainty:	$K_{PA} =$	3	dB
Sound power level:	$L_{WA} =$	103.3	dB (A)
Uncertainty:	$K_{WA} =$	3	dB



Wear ear muffs!

Total vibration value:

Cutting of concrete slabs $a_h = 5.262 \text{ m/s}^2$
 Uncertainty $K = 1.5 \text{ m/s}^2$

⚠ WARNING!

- ▶ The vibration level specified in these instructions has been measured in accordance with the standardised measuring procedure specified in EN 60745 and can be used to make equipment comparisons. The specified vibration emission value can also be used to make an initial exposure estimate. The vibration level varies in accordance with the use of the power tool and may be higher than the value specified in these instructions in some cases. Regular use of the power tool in such a way may cause the user to underestimate the vibration.

NOTE

- ▶ Try to keep the vibration loads as low as possible. Measures to reduce the vibration load are, e.g. wearing gloves and limiting the working time. Wherein all states of operation must be included (e.g. times when the power tool is switched off and times where the power tool is switched on but running without load).



General power tool safety warnings

⚠ WARNING!

- ▶ **Read all safety warnings and all instructions.** Failure to follow the warnings and instructions may result in electric shock, fire and/or serious injury.

Save all warnings and instructions for future reference.

The term "power tool" in the warnings refers to your mains-operated (corded) power tool or battery-operated (cordless) power tool.

1. Work area safety

- a) **Keep work area clean and well lit.** Cluttered or dark areas invite accidents.
- b) **Do not operate power tools in explosive atmospheres, such as in the presence of flammable liquids, gases or dust.** Power tools create sparks which may ignite the dust or fumes.
- c) **Keep children and bystanders away while operating a power tool.** Distractions can cause you to lose control.

2. Electrical safety

- a) **Power tool plugs must match the outlet.** Never modify the plug in any way. Do not use any adapter plugs with earthed (grounded) power tools. Unmodified plugs and matching outlets will reduce risk of electric shock.
- b) **Avoid body contact with earthed or grounded surfaces, such as pipes, radiators, ranges and refrigerators.** There is an increased risk of electric shock if your body is earthed or grounded.
- c) **Do not expose power tools to rain or wet conditions.** Water entering a power tool will increase the risk of electric shock.
- d) **Do not abuse the cord. Never use the cord for carrying, pulling or unplugging the power tool. Keep cord away from heat, oil, sharp edges or moving parts.** Damaged or entangled cords increase the risk of electric shock.

- e) When operating a power tool outdoors, use an extension cord suitable for outdoor use. Use of a cord suitable for outdoor use reduces the risk of electric shock.
- f) If operating a power tool in a damp location is unavoidable, use a residual current device (RCD) protected supply. Use of an RCD reduces the risk of electric shock.

3. Personal safety

- a) Stay alert, watch what you are doing and use common sense when operating a power tool. Do not use a power tool while you are tired or under the influence of drugs, alcohol or medication. A moment of inattention while operating power tools may result in serious personal injury.
- b) Use personal protective equipment. Always wear eye protection. Protective equipment such as dust mask, non-skid safety shoes, hard hat, or hearing protection used for appropriate conditions will reduce personal injuries.
- c) Prevent unintentional starting. Ensure the switch is in the off-position before connecting to power source and/or battery pack, picking up or carrying the tool. Carrying power tools with your finger on the switch or energising power tools that have the switch on invites accidents.
- d) Remove any adjusting key or wrench before turning the power tool on. A wrench or a key left attached to a rotating part of the power tool may result in personal injury.
- e) Do not overreach. Keep proper footing and balance at all times. This enables better control of the power tool in unexpected situations.
- f) Dress properly. Do not wear loose clothing or jewellery. Keep your hair, clothing and gloves away from moving parts. Loose clothes, jewellery or long hair can be caught in moving parts.
- g) If devices are provided for the connection of dust extraction and collection facilities, ensure these are connected and properly used. Use of dust collection can reduce dust-related hazards.

4. Power tool use and care

- a) Do not force the power tool. Use the correct power tool for your application. The correct power tool will do the job better and safer at the rate for which it was designed.
- b) Do not use the power tool if the switch does not turn it on and off. Any power tool that cannot be controlled with the switch is dangerous and must be repaired.
- c) Disconnect the plug from the power source and/or the battery pack from the power tool before making any adjustments, changing accessories, or storing power tools. Such preventive safety measures reduce the risk of starting the power tool accidentally.
- d) Store idle power tools out of the reach of children and do not allow persons unfamiliar with the power tool or these instructions to operate the power tool. Power tools are dangerous in the hands of untrained users.
- e) Maintain power tools. Check for misalignment or binding of moving parts, breakage of parts and any other condition that may affect the power tool's operation. If damaged, have the power tool repaired before use. Many accidents are caused by poorly maintained power tools.
- f) Keep cutting tools sharp and clean. Properly maintained cutting tools with sharp cutting edges are less likely to bind and are easier to control.
- g) Use the power tool, accessories and tool bits etc. in accordance with these instructions, taking into account the working conditions and the work to be performed. Use of the power tool for operations different from those intended could result in a hazardous situation.

5. Service

- a) Have your power tool serviced by a qualified repair person using only identical replacement parts. This will ensure that the safety of the power tool is maintained.

Safety instructions for abrasive saws

- a) The blade guard, which is a part of the power tool, must be attached securely and set in a way that ensures maximum safety, i.e. the smallest possible amount of the grinding tool is exposed to the operator. Ensure that you and anyone else in the vicinity remain outside of the range of the rotating grinding disc. The blade guard is designed to protect the operator from fragments and accidental contact with the grinding tool.
- b) Use only diamond-coated cutting discs for your power tool. Just because you can attach the accessories to your power tool does not guarantee they are safe to use.
- c) The permissible speed of the accessory tool used must be at least as high as the maximum speed specified for the power tool. Accessories that rotate faster than the permissible rate can break and throw pieces into the air.
- d) Grinding tools should only be used for the recommended applications. For example: **Never grind with the side surface of a cutting disc.** Cutting discs are designed to remove material with the edge of the disc. Any lateral application of force on these grinding tools can lead to a breakage.
- e) Always use an undamaged clamping flange of the correct size and shape for the selected grinding disc. Suitable flanges support the grinding disc and reduce the risk of a disc breakage.
- f) The external diameter and thickness of the attachment part used must comply with the dimensions of the power tool. Incorrectly dimensioned accessory tools cannot be sufficiently shielded or controlled.
- g) Grinding discs and flanges must fit precisely onto the grinding spindle of your power tool. Accessory tools which do not fit precisely on the grinding spindle of the power tool will rotate unevenly, vibrate severely and can lead to a loss of control.
- h) Do not use damaged grinding discs. Check the grinding discs for chips and cracks before each use. If the power tool or grinding disc is dropped, check to see if either is damaged, or use an undamaged grinding disc. After checking and inserting the grinding disc, ensure that you and any other people in the vicinity remain outside of the range of the rotating grinding disc and allow the tool to rotate at maximum speed for one minute. Damaged grinding discs usually break during this test period.
- i) Wear personal protective equipment. Depending on the application, ensure that you use full face protection, eye protection or goggles. If required, use a dust mask, ear muffs, protective gloves or a special apron to protect you from grindings and material particles. Protect your eyes from flying debris that may be created during certain applications. Dust or filter masks must be used to filter any dust created by the application. Long-term exposure to loud noise can cause a hearing loss.
- j) Ensure that other people remain at a safe distance to your workspace. Anyone who enters the workspace must wear personal protective equipment. Fragments of the workpiece or broken accessory tools can fly off and cause injury – even outside the immediate working area.
- k) Hold the appliance only by its insulated gripping surfaces when you are performing work during which the power tool may hit hidden power lines or its own power cord. Contact with a live cable can also make metal parts of the appliance live and could result in an electric shock.
- l) Keep the power cord away from rotating tools. If you lose control of the appliance, the cord may get cut or caught and your hand or arm could get caught in the rotating accessory tool.
- m) Never remove the power tool before the accessory tool has come to a complete stop. The rotating accessory tool could come into contact with the surface and cause you to lose control of the power tool.

- n) **Do not leave the power tool running whilst carrying it.** Accidental contact between your clothing and the rotating accessory tool could cause your clothing to get caught and the accessory tool to penetrate a part of your body.
- o) **Clean the ventilation slots of your power tool regularly.** The engine fan draws dust into the housing and a strong accumulation of metal dust can cause electrical hazards.
- p) **Do not use the power tool in the vicinity of flammable materials.** Sparks can ignite such materials.
- q) **It may be necessary to use water or some other coolant when operating this appliance. It may therefore only be connected to circuits protected by residual current circuit breakers. Check that the residual current circuit breaker is functioning correctly on a regular basis. Working with equipment that uses water or other coolants may result in an electric shock or fatal electrocution if no residual current circuit breaker is used.**
- r) **Keep your hands away from the cutting area and the cutting disc. Keep your other hand on the additional handle or the motor housing.** If you hold the machine with both hands, the cutting disc cannot cause injuries to your hands.
- s) **Never reach under the workpiece.** The guard cannot protect you from the cutting wheel below the workpiece.
- t) **Never hold the workpiece you are cutting in your hands or on your leg. Secure the workpiece on a stable platform.** It is important to properly support the workpiece to protect your body, prevent the cutting disc from jamming and to maintain control of the tool.
- u) **Never use damaged or incorrect washers or a damaged or incorrect bolt for the cutting disc.** The washers and bolts for the cutting disc are specially designed for your machine to achieve optimum performance and reliability.
- v) **Do not unplug the power cord if it or the outlet has become wet.** First switch off the power by removing the fuse or via the circuit breaker of the circuit in question. Afterwards, you can pull out the plug and check the connections for any traces of water.

⚠ WARNING!

- ▶ To avoid the risk of electric shock, keep all connections dry and away from the ground. Do not touch the power plug with wet hands.
- ▶ The cable set is equipped with a portable residual current device. For additional safety, sockets with integrated portable residual current devices are available. When using an extension cord, always plug it into an outlet protected by a portable residual current device.
- ▶ Always plug an extension cord into an outlet protected by a portable residual current device.
- ▶ Never use the appliance with salt water or conductive liquids.
- ▶ Grooves and slots in load-bearing walls are subject to DIN 1053-1 and/or country-specific regulations. These regulations must be observed under all circumstances. Before starting work, contact the responsible structural engineer, architect or site manager.
- ▶ Approved cutting disc designs: segmented diamond discs with maximum slots between the segments of 10 mm, only with negative cutting angle.

Further safety instructions for abrasive cutting applications

Kickback and corresponding safety instructions

Kickback – causes and corresponding safety instructions

- Kickback is a sudden reaction caused when a rotating grinding disc catches or jams. Catching or jamming causes the rotating accessory tool to stop abruptly. If this happens, an uncontrolled power tool turns rapidly against the direction of rotation of the accessory tool caught in the blockage.
- If, for example, a grinding disc catches or jams, the edge of the grinding disc that is projecting into the workpiece can get caught and break off the grinding disc or cause a kickback. The grinding disc can then fly in the direction of the operator or away from him, depending on the direction of rotation of the disc at the blockage. This can also break grinding discs.

A kickback is caused by improper or incorrect use of the power tool. This can be avoided by taking proper precautions as described below.

- a) **Hold the power tool firmly in both hands and position your body and arms so they can absorb the force of a kickback. Always use the auxiliary handle, if available, so that you have the maximum possible control over the kickback force or reaction forces at full speed.** By taking adequate precautions, the operator can stay in control of the kickback and reaction forces.
- b) **Never hold your hand close to a rotating accessory tool.** The accessory tool can jump out of your hand if there is a kickback.
- c) **Avoid the area in front of and behind the rotating cutting disc.** The kickback will force the electrical tool in the opposite direction to the direction of rotation of the grinding disc at the blockage.
- d) **Take special care when working near corners, sharp edges, etc. Avoid allowing the accessory tool to bounce back from the workpiece or jam.** The rotating accessory tool is more likely to jam in corners or sharp edges or if it bounces. This can cause a loss of control or kickback.
- e) **Do not use chained or toothed cutting discs or segmented diamond discs with slots more than 10 mm wide.** Such accessories often cause a kickback or loss of control over the power tool.
- f) **Avoid cutting disc jams or excessive contact pressure. Do not make any excessively deep cuts.** Overloading the cutting disc increases the stress and likelihood of tilting or blocking and thus the possibility of a kickback or a breakage of the grinding tool.
- g) **If the cutting disc jams or you stop working, switch the tool off and hold it steady until the disc has completely stopped turning. Never attempt to pull a rotating cutting disc out of a cut. This could lead to kickback.** Identify and remove the cause of the jam.
- h) **Do not switch the power tool back on as long as it is in the workpiece. Allow the cutting disc to reach its full speed before you carefully continue the cut.** Otherwise, the disc may jam, jump out of the workpiece or cause kickback.
- i) **Support panels or large workpieces to reduce the risk of the cutting disc jamming and causing a kickback.** Large workpieces can bend under their own weight. The workpiece must be supported on both sides, namely in the vicinity of the cut and also at the edge.

- j) Be particularly careful when making pocket cuts into existing walls or other obscured areas. The inserted cutting disc may cut into gas or water pipes, electrical wiring or other objects that can cause a kickback.
- k) Position your body on one of the two sides of the cutting disc, but not in line with the cutting disc.

Supplementary notes



Wear ear muffs!



Wear safety goggles!



Wear safety shoes!



Wear protective gloves!



Wear a dust mask!



Not approved for side grinding

Original accessories/auxiliary equipment

- Use only the accessories and additional equipment that are specified in the operating instructions and are compatible with the appliance.

Residual risks

Despite compliance with the applicable safety regulations and the use of protective devices, certain risks cannot be avoided. These are the following:

- Hearing loss
- Risk of injury due to flying fragments
- Risk of burns due to accessories becoming hot during operation
- Risk of injury due to prolonged use.

Working procedures

- **Secure the workpiece.** Use clamps/a vice to hold the workpiece firmly in place. This is much safer than simply holding it in your hand.
- **Materials containing asbestos may not be processed.** Asbestos is a known carcinogen.



Tip! This symbol indicates proper behaviour.

⚠ DANGER! ALWAYS GUIDE THE APPLIANCE THROUGH THE WORKPIECE IN REVERSE ROTATION.

- ▶ In the opposite direction there is a risk of kickback. The appliance can be pushed out of the cut.
- Always hold the appliance firmly with two hands while working. Ensure that your stance is secure and stable.
- When working on angled surfaces, do not exert great force on the workpiece. If the rotational speed drops significantly, you must reduce the pressure exerted to allow safe and effective working. If the appliance suddenly brakes completely or jams, it must be switched off immediately.
- Cutting: Work with a moderate feed and do not tilt the cutting disc.
- Cutting discs become very hot when working – let them cool down completely before touching them.
- Never use the appliance for purposes other than those for which it was designed.
- **Remain alert at all times! Always pay attention to what you are doing and act with common sense.** Do not use the appliance if you are distracted or feeling unwell.

Assembly

Fitting/changing the cutting disc

⚠ WARNING! RISK OF INJURY!

- Switch the appliance off and remove the power plug before starting any work on the appliance.

NOTE

- Only use diamond cutting discs with diameters corresponding to the inscriptions on the appliance.
- ◆ Set the cutting depth (using the locking screw **2**) to the minimum position.
- ◆ Actuate the spindle lock **24** and turn the clamping screw **13** until the spindle lock **24** clicks into place. Loosen the clamping screw/washer **13** with the hex key **14**. Now remove the clamping screw/washer **13** and the clamping flange **12** (see also fold-out page, fig. A).
- ◆ Remove the cutting disc **11**.
- ◆ Fitting a cutting disc **11** is carried out in the reverse order.
- ◆ Actuate the spindle lock **24** and turn the clamping screw **13** until the spindle lock **24** clicks into place. Use the hex key **14** to firmly tighten the clamping screw **13**.

⚠ WARNING!

- ▶ The arrow on the cutting disc **11** must match the direction of rotation arrow (running direction, marked on the appliance).
- Make sure that the cutting disc **11** is suitable for the speed of the tool.

Fitting/setting the rip fence

- ◆ Undo the wing screw **7** and insert the rip fence **9** into the rip fence slot **4**.

- ◆ Set the desired cutting width using the scale on the rip fence **9** and the rip fence slot **4**. The rip fence slot **4** serves as an orientation mark (see also fold-out page, fig. E).
- ◆ Retighten the wing screw **7**.

Fitting the water inlet hose

⚠ WARNING!

- ▶ Check the correct function of the residual current circuit breaker **23** before each use!
- ▶ Work with the appliance in a horizontal position and not overhead to prevent water from entering the machine.
- ▶ Before each use, check the water supply system for leaks.

⚠ CAUTION!

- ▶ Do not connect the appliance to a water supply system with more than 6 bar!
- ▶ Only use water as coolant.

- ◆ Set the cutting depth (using the locking screw **2**) to the minimum position.
- ◆ Using a Phillips screwdriver and the accessory screw supplied **16**, fit the water inlet **15** to the housing (see also fold-out page, fig. B). Please note that the water inlet **15** must be guided around the cutting depth adjustment. The two water outlets of the water inlet **15** must be located on the side of the cutting disc **11** (see also fold-out page, fig. F).
- ◆ Push the water inlet hose **18** into the water inlet **15**.
- ◆ Insert the other end of the water inlet hose **18** into the water connection adapter **19**.
- ◆ Connect the water connection adapter **19** to a water hose with a suitable diameter of approx. 19 mm. Check for a tight fit by pulling on the water hose.
- ◆ Open the valve **17** on the water inlet **15**.
- ◆ Carefully adjust the amount of water at the water source so that there is always enough water on the cutting disc **11** and the cutting area.
- ◆ Disconnect the water supply after completion of the work.

Installing the dust extraction system

On delivery, the connection point of the adapter for dust extraction ⑩ is closed off. To install the dust extractor, proceed as follows:

- ◆ Remove the screws ⑧ from the housing and remove the protective cover ⑫.
- ◆ Using the screws ⑧ provided, fasten the adapter for dust extraction ⑩ onto the dust outlet ④.
- ◆ Connect an approved dust and chip extraction device.

Operation

⚠ WARNING!

- ▶ Prevent dripping water from dripping along the power cord into the power outlet or plug. To do this, form a loop from the mains cable underneath the mains socket. This prevents any dripping water from getting into the mains socket.

Residual current circuit breaker

⚠ WARNING!

- ▶ Check the correct function of the residual current circuit breaker before each use ⑮!
- ◆ Connect the residual current circuit breaker ⑮ to the power grid.
- ◆ Press the reset button ⑳ until the indicator ㉑ is red.
- ◆ Press the Test button ㉒ until the indicator ㉑ is black. This shows that the test was successful. If the indicator ㉑ continues to indicate red, the residual current circuit breaker ⑮ is defective and must be repaired by qualified personnel!

⚠ WARNING!

- ▶ Do not operate a appliance with faulty circuit breakers!
- ◆ After a successful test, press the reset button again ㉑ to switch the appliance back on.

Switching on and off

⚠ WARNING!

- ▶ To avoid the risk of electric shock, make sure that no water gets into the appliance. Do not touch the power plug with wet hands.

⚠ CAUTION!

- ▶ Wait until the appliance has reached the maximum speed and use a low feed rate to achieve clean cuts.

Switching on:

- ◆ Press the ON/OFF switch ①.

Switching off:

- ◆ Release the ON/OFF switch ①.

Setting the cutting angle

You can change the cutting angle using the cutting angle scale ⑥.

- Undo the wing screw of the cutting angle pre-selector ⑤. Set the desired angle on the cutting angle scale ⑥ and retighten the wing screw ⑤.

Setting the cutting depth

NOTE

- ▶ We recommend that the cutting depth should be approx. 3 mm greater than the material thickness. This ensures that you achieve a clean cut.
- ▶ To determine the correct setting, you can place the machine on the edge of the material to be machined so that the cutting disc ⑪ can swing freely downwards when the locking screw ② is loosened. Once the cutting disc ⑪ protrudes approx. 3 mm beyond the material thickness, tighten the locking screw ②.
- ▶ Use a similar procedure if you want to mill a groove.
- ▶ We recommend testing the setting on a sample piece of material.
- ◆ Undo the locking screw ②. Set the desired cutting depth and tighten the locking screw ② again.

Handling the appliance

1. Switch on the appliance – as described in "Switching on and off" – and then place it with the front edge of the base plate **2b** on the material.
2. Align the machine using the rip fence **4** or by using a marked line.
3. Hold the machine by the handle and housing with both hands. Guide it using moderate pressure.

Maintenance and cleaning



WARNING! RISK OF INJURY! Switch the appliance off and remove the power plug before starting any work on the appliance.

- Store the appliance in a dry and dust-free location.
- Cutting discs must be kept dry and must not be stacked.
- The appliance must always be clean and free of oil or grease.
- Use a soft, dry cloth to clean the housing.
- The carbon brushes should only be replaced by the service centre or an authorised specialist workshop.
- Ventilation openings must never be obstructed.
- Remove any adhering swarf with a brush.

WARNING!

- If the connecting cable needs to be replaced, this must be carried out by the manufacturer or an authorised representative in order to avoid safety hazards.

NOTE

- ▶ Replacement parts not listed (such as carbon brushes, switch) can be ordered via our service hotline.

Disposal



The packaging consists of environmentally friendly material. It can be disposed of in the local recycling containers.



Do not dispose of power tools in your normal domestic waste!

European Directive 2012/19/EU requires that worn-out power tools be collected separately and recycled in an environmentally compatible manner.

Your local community or municipal authorities can provide information on how to dispose of the worn-out appliance.



Dispose of the packaging in an environmentally friendly manner. Note the labelling on the packaging and separate the packaging material components for disposal if necessary. The packaging material is labelled with abbreviations (a) and numbers (b) with the following meanings:
 1–7: plastics,
 20–22: paper and cardboard,
 80–98: composites



Your local community or municipal authorities can provide information on how to dispose of the worn-out product.

Kompernass Handels GmbH warranty

Dear Customer,

This appliance has a 3-year warranty valid from the date of purchase. If this product has any faults, you, the buyer, have certain statutory rights. Your statutory rights are not restricted in any way by the warranty described below.

Warranty conditions

The warranty period starts on the date of purchase. Please keep your receipt in a safe place. This will be required as proof of purchase.

If any material or manufacturing fault occurs within three years of the date of purchase of the product, we will either repair or replace the product for you or refund the purchase price (at our discretion).

This warranty service requires that you present the defective appliance and the proof of purchase (receipt) within the three-year warranty period, along with a brief written description of the fault and of when it occurred.

If the defect is covered by the warranty, your product will either be repaired or replaced by us. The repair or replacement of a product does not signify the beginning of a new warranty period.

Warranty period and statutory claims for defects

The warranty period is not prolonged by repairs effected under the warranty. This also applies to replaced and repaired components. Any damage and defects present at the time of purchase must be reported immediately after unpacking. Repairs carried out after expiry of the warranty period shall be subject to a fee.

Scope of the warranty

This appliance has been manufactured in accordance with strict quality guidelines and inspected meticulously prior to delivery.

The warranty covers material faults or production faults. The warranty does not extend to product parts subject to normal wear and tear or to fragile parts which could be considered as consumable parts such as switches, batteries or parts made of glass.

The warranty does not apply if the product has been damaged, improperly used or improperly maintained. The directions in the operating instructions for the product regarding proper use of the product are to be strictly followed. Uses and actions that are discouraged in the operating instructions or which are warned against must be avoided.

This product is intended solely for private use and not for commercial purposes. The warranty shall be deemed void in cases of misuse or improper handling, use of force and modifications / repairs which have not been carried out by one of our authorised Service centres.

Warranty claim procedure

To ensure quick processing of your case, please observe the following instructions:

- Please have the till receipt and the item number (e.g. IAN 12345) available as proof of purchase.
- You will find the item number on the type plate on the product, an engraving on the product, on the front page of the operating instructions (below left) or on the sticker on the rear or bottom of the product.
- If functional or other defects occur, please contact the service department listed either by **telephone** or by **e-mail**.
- You can return a defective product to us free of charge to the service address that will be provided to you. Ensure that you enclose the proof of purchase (till receipt) and information about what the defect is and when it occurred.



You can download these instructions along with many other manuals, product videos and installation software at www.lidl-service.com.

This QR code will take you directly to the Lidl service page (www.lidl-service.com) where you can open your operating instructions by entering the item number (IAN) 123456.

Service

GB Service Great Britain
 Tel.: 0800 404 7657
 E-Mail: kompernass@lidl.co.uk

IE Service Ireland
 Tel.: 1890 930 034
 (0,08 EUR/Min., (peak))
 (0,06 EUR/Min., (off peak))
 E-Mail: kompernass@lidl.ie

IAN 312517

Importer

Please note that the following address is not the service address. Please use the service address provided in the operating instructions.

KOMPERNASS HANDELS GMBH
 BURGSTRASSE 21
 DE-44867 BOCHUM
 GERMANY
www.kompernass.com

Translation of the original Conformity Declaration

We, KOMPERNASS HANDELS GMBH, document officer: Mr Semi Uguzlu, BURGSTR. 21, DE - 44867 BOCHUM, GERMANY, hereby declare that this product complies with the following standards, normative documents and EC directives:

**Machinery Directive
(2006/42/EC)**

**Electromagnetic Compatibility
(2014/30/EU)**

**RoHS Directive
(2011/65/EU)***

*The manufacturer bears the full responsibility for compliance with this conformity declaration. The object of the declaration described above complies with the requirements of the Directive 2011/65/EU of the European Parliament and Council of 8 June 2011 on the limitations of use of certain dangerous substances in electrical and electronic appliances.

Applied harmonised standards:

EN 60745-1:2009/A11:2010

EN 60745-2-22:2011/A11:2013

EN 55014-1:2017

EN 55014-2:2015

EN 61000-3-2:2014

EN 61000-3-3:2013

Type designation of machine: Diamond stone cutter PDFS 1300 A1

Year of manufacture: 01-2019

Serial number: IAN 312517

Bochum, 23/01/2019



Semi Uguzlu

- Quality Manager -

We reserve the right to make technical changes in the context of further product development.

Inhaltsverzeichnis

Einleitung	16
Bestimmungsgemäßer Gebrauch	16
Ausstattung	16
Lieferumfang	16
Technische Daten	16
Allgemeine Sicherheitshinweise für Elektrowerkzeuge	17
1. Arbeitsplatz-Sicherheit	17
2. Elektrische Sicherheit	17
3. Sicherheit von Personen	18
4. Verwendung und Behandlung des Elektrowerkzeugs	18
5. Service	19
Sicherheitshinweise für Trennschleifmaschinen	19
Weitere Sicherheitshinweise für Trennschleifanwendungen	21
Ergänzende Anweisungen	22
Restrisiken	22
Arbeitshinweise	23
Montage	23
Trennscheibe montieren / wechseln	23
Parallelanschlag montieren / einstellen	23
Wasser-Zulaufschlauch montieren	24
Staubabsaugung montieren	24
Bedienung	24
Fehlerstromschutzschalter	24
Ein- und ausschalten	25
Schnittwinkel einstellen	25
Schnitttiefe einstellen	25
Handhabung des Gerätes	25
Wartung und Reinigung	25
Entsorgung	26
Garantie der Kompernaß Handels GmbH	26
Service	27
Importeur	27
Original-Konformitätserklärung	28

DIAMANTSCHNEIDER PDFS 1300 A1

Einleitung

Wir beglückwünschen Sie zum Kauf Ihres neuen Gerätes. Sie haben sich damit für ein hochwertiges Produkt entschieden. Die Bedienungsanleitung ist Teil dieses Produkts. Sie enthält wichtige Hinweise für Sicherheit, Gebrauch und Entsorgung. Machen Sie sich vor der Benutzung des Produkts mit allen Bedien- und Sicherheitshinweisen vertraut. Benutzen Sie das Produkt nur wie beschrieben und für die angegebenen Einsatzbereiche. Händigen Sie alle Unterlagen bei Weitergabe des Produkts an Dritte mit aus.

Bestimmungsgemäßer Gebrauch

Das Gerät ist dafür bestimmt bei stabiler Auflage Schnitte oder Schlitzte in mineralischen Materialien mit oder ohne Verwendung von Wasser auszuführen. Das Gerät ist nicht geeignet für Schnitte in Holz, Kunststoff, Metall oder Stahlbeton.

Jede andere Verwendung oder Veränderung des Gerätes gilt als nicht bestimmungsgemäß und birgt erhebliche Unfallgefahren. Nicht zum gewerblichen Gebrauch.

Ausstattung

- 1 EIN-/AUS-Schalter
- 2 Feststellschraube
- 3 Staubauswurf
- 4 Parallelanschlagaufnahme
- 5 Flügelschraube für Schnittwinkelvorwahl
- 6 Schnittwinkelskala
- 7 Flügelschraube für Parallelanschlagaufnahme
- 8 Schrauben
- 9 Parallelanschlag
- 10 Adapter für Staubabsaugung
- 11 Trennscheibe
- 12 Spannflansch
- 13 Spannschraube / Unterlegscheibe
- 14 Innensechskantschlüssel
- 15 Wasserzulauf
- 16 Zubehörschraube
- 17 Ventil
- 18 Wasser-Zulaufschlauch
- 19 Wasseranschlussadapter
- 20 Reset-Taste
- 21 Indikator

- 22 Test-Taste
- 23 Fehlerstromschutzschalter
- 24 Spindelarreterierung
- 25 Schutzabdeckung
- 26 Grundplatte

Lieferumfang

- 1 Diamantschneider
- 1 Parallelanschlag
- 1 Adapter zur Staubabsaugung
- 1 Innensechskantschlüssel
- 1 Trennscheibe (vormontiert)
- 1 Wasser-Zulaufschlauch
- 1 Wasseranschlussadapter
- 1 Wasserzulauf
- 1 Fehlerstromschutzschalter
- 1 Betriebsanleitung

Technische Daten

Nennaufnahme:	1300 W
Nennspannung:	230 V ~ 50 Hz (Wechselstrom)
Gewindemaß:	M6
Bemessungsdrehzahl:	n 12000 min ⁻¹
Trennscheiben:	1x Ø 125 mm x 2 mm x Ø 22,23 mm, 9 Zähne



Max. Schnitttiefe:	Bei 0°: 40 mm Bei 45°: 26,5 mm
--------------------	---



Schutzklasse: II/□ (Doppelisolierung)

Geräusch- und Vibrationsinformationen:

Messwert für Geräusch ermittelt entsprechend EN 60745. Der A-bewertete Geräuschpegel des Elektrowerkzeugs beträgt typischerweise:

Geräuschemissionswert:

Schalldruckpegel: $L_{PA} = 92,3 \text{ dB (A)}$

Unsicherheit: $K_{PA} = 3 \text{ dB}$

Schallleistungspegel: $L_{WA} = 103,3 \text{ dB (A)}$

Unsicherheit: $K_{WA} = 3 \text{ dB}$



Gehörschutz tragen!

Schwingungsgesamtwert:

Trennen von Betonplatten $a_h = 5,262 \text{ m/s}^2$

Unsicherheit $K = 1,5 \text{ m/s}^2$

! WARNUNG!

- Der in diesen Anweisungen angegebene Schwingungspegel ist entsprechend einem in EN 60745 genormten Messverfahren gemessen worden und kann für den Gerätevergleich verwendet werden. Der angegebene Schwingungsemissionswert kann auch zu einer einleitenden Einschätzung der Aussetzung verwendet werden. Der Schwingungspegel wird sich entsprechend dem Einsatz des Elektrowerkzeugs verändern und kann in manchen Fällen über dem in diesen Anweisungen angegebenen Wert liegen. Die Schwingungsbelastung könnte unterschätzt werden, wenn das Elektrowerkzeug regelmäßig in solcher Weise verwendet wird.

HINWEIS

- Versuchen Sie, die Belastung durch Vibrationen so gering wie möglich zu halten. Beispielhafte Maßnahmen zur Verringerung der Vibrationsbelastung sind das Tragen von Handschuhen beim Gebrauch des Werkzeugs und die Begrenzung der Arbeitszeit. Dabei sind alle Anteile des Betriebszyklus zu berücksichtigen (beispielweise Zeiten, in denen das Elektrowerkzeug abgeschaltet ist, und solche, in denen es zwar eingeschaltet ist, aber ohne Belastung läuft).



Allgemeine Sicherheitshinweise für Elektrowerkzeuge



! WARNUNG!

- **Lesen Sie alle Sicherheitshinweise und Anweisungen.** Versäumnisse bei der Einhaltung der Sicherheitshinweise und Anweisungen können elektrischen Schlag, Brand und/oder schwere Verletzungen verursachen.

Bewahren Sie alle Sicherheitshinweise und Anweisungen für die Zukunft auf.

Der in den Sicherheitshinweisen verwendete Begriff „Elektrowerkzeug“ bezieht sich auf netzbetriebene Elektrowerkzeuge (mit Netzkabel) und auf akkubetriebene Elektrowerkzeuge (ohne Netzkabel).

1. Arbeitsplatz-Sicherheit

- Halten Sie Ihren Arbeitsbereich sauber und gut beleuchtet.** Unordnung und unbeleuchtete Arbeitsbereiche können zu Unfällen führen.
- Arbeiten Sie mit dem Elektrowerkzeug nicht in explosionsgefährdeter Umgebung, in der sich brennbare Flüssigkeiten, Gase oder Stäube befinden.** Elektrowerkzeuge erzeugen Funken, die den Staub oder die Dämpfe entzünden können.
- Halten Sie Kinder und andere Personen während der Benutzung des Elektrowerkzeugs fern.** Bei Ablenkung können Sie die Kontrolle über das Gerät verlieren.

2. Elektrische Sicherheit

- Der Anschlussstecker des Elektrowerkzeuges muss in die Steckdose passen.** Der Stecker darf in keiner Weise verändert werden. **Verwenden Sie keine Adapterstecker gemeinsam mit Schutzgeerdeten Elektrowerkzeugen.** Unveränderte Stecker und passende Steckdosen verringern das Risiko eines elektrischen Schlages.
- Vermeiden Sie Körperkontakt mit geerdeten Oberflächen, wie von Rohren, Heizungen, Herden und Kühlschränken.** Es besteht ein erhöhtes Risiko durch elektrischen Schlag, wenn Ihr Körper geerdet ist.

- c) Halten Sie Elektrowerkzeuge von Regen oder Nässe fern. Das Eindringen von Wasser in ein Elektrogerät erhöht das Risiko eines elektrischen Schlages.
- d) Zweckentfremden Sie das Kabel nicht, um das Elektrowerkzeug zu tragen, aufzuhängen oder um den Stecker aus der Steckdose zu ziehen. Halten Sie das Kabel fern von Hitze, Öl, scharfen Kanten oder sich bewegenden Geräteteilen. Beschädigte oder verwickelte Kabel erhöhen das Risiko eines elektrischen Schlages.
- e) Wenn Sie mit einem Elektrowerkzeug im Freien arbeiten, verwenden Sie nur Verlängerungskabel, die auch für den Außenbereich zugelassen sind. Die Anwendung eines für den Außenbereich geeigneten Verlängerungskabels verringert das Risiko eines elektrischen Schlages.
- f) Wenn der Betrieb des Elektrowerkzeuges in feuchter Umgebung nicht vermeidbar ist, verwenden Sie einen Fehlerstromschutzschalter. Der Einsatz eines Fehlerstromschutzschalters vermindert das Risiko eines elektrischen Schlages.
- d) Entfernen Sie Einstellwerkzeuge oder Schraubenschlüssel, bevor Sie das Elektrowerkzeug einschalten. Ein Werkzeug oder Schlüssel, der sich in einem drehenden Geräteteil befindet, kann zu Verletzungen führen.
- e) Vermeiden Sie eine abnormale Körperhaltung. Sorgen Sie für einen sicheren Stand und halten Sie jederzeit das Gleichgewicht. Dadurch können Sie das Elektrowerkzeug in unerwarteten Situationen besser kontrollieren.
- f) Tragen Sie geeignete Kleidung. Tragen Sie keine weite Kleidung oder Schmuck. Halten Sie Haare, Kleidung und Handschuhe fern von sich bewegenden Teilen. Lockere Kleidung, Schmuck oder lange Haare können von sich bewegenden Teilen erfasst werden.
- g) Wenn Staubabsaug- und -auffangeinrichtungen montiert werden können, vergewissern Sie sich, dass diese angeschlossen sind und richtig verwendet werden. Die Verwendung einer Staubabsaugung kann Gefährdungen durch Staub verringern.

3. Sicherheit von Personen

- a) Seien Sie stets aufmerksam, achten Sie darauf, was Sie tun und gehen Sie mit Vernunft an die Arbeit mit einem Elektrowerkzeug. Benutzen Sie kein Elektrowerkzeug, wenn Sie müde sind oder unter dem Einfluss von Drogen, Alkohol oder Medikamenten stehen. Ein Moment der Unachtsamkeit beim Gebrauch des Elektrowerkzeuges kann zu ernsthaften Verletzungen führen.
- b) Tragen Sie persönliche Schutzausrüstung und immer eine Schutzbrille. Das Tragen persönlicher Schutzausrüstung wie Staubmaske, rutschfeste Sicherheitsschuhe, Schutzhelm oder Gehörschutz, je nach Art und Einsatz des Elektrowerkzeuges, verringert das Risiko von Verletzungen.
- c) Vermeiden Sie eine unbeabsichtigte Inbetriebnahme. Vergewissern Sie sich, dass das Elektrowerkzeug ausgeschaltet ist, bevor Sie es an die Stromversorgung und / oder den Akku anschließen, es aufnehmen oder tragen. Wenn Sie beim Tragen des Elektrowerkzeuges den Finger am Schalter haben oder das Gerät bereits eingeschaltet an die Stromversorgung anschließen, kann dies zu Unfällen führen.

4. Verwendung und Behandlung des Elektrowerkzeugs

- a) Überlasten Sie das Gerät nicht. Verwenden Sie für Ihre Arbeit das dafür bestimmte Elektrowerkzeug. Mit dem passenden Elektrowerkzeug arbeiten Sie besser und sicherer im angegebenen Leistungsbereich.
- b) Benutzen Sie kein Elektrowerkzeug, dessen Schalter defekt ist. Ein Elektrowerkzeug, das sich nicht mehr ein- oder ausschalten lässt, ist gefährlich und muss repariert werden.
- c) Ziehen Sie den Stecker aus der Steckdose und/oder entfernen Sie den Akku, bevor Sie Geräteeinstellungen vornehmen, Zubehörteile wechseln oder das Gerät weglegen. Diese Vorsichtsmaßnahme verhindert den unbeabsichtigten Start des Elektrowerkzeuges.
- d) Bewahren Sie unbenutzte Elektrowerkzeuge außerhalb der Reichweite von Kindern auf. Lassen Sie Personen das Gerät nicht benutzen, die mit diesem nicht vertraut sind oder diese Anweisungen nicht gelesen haben. Elektrowerkzeuge sind gefährlich, wenn sie von unerfahrenen Personen benutzt werden.

- e) Pflegen Sie Elektrowerkzeuge mit Sorgfalt. Kontrollieren Sie, ob bewegliche Teile einwandfrei funktionieren und nicht klemmen, ob Teile gebrochen oder so beschädigt sind, dass die Funktion des Elektrowerkzeuges beeinträchtigt ist. Lassen Sie beschädigte Teile vor dem Einsatz des Gerätes reparieren. Viele Unfälle haben ihre Ursache in schlecht gewarteten Elektrowerkzeugen.
- f) Halten Sie Schneidwerkzeuge scharf und sauber. Sorgfältig gepflegte Schneidwerkzeuge mit scharfen Schneidkanten verkleben sich weniger und sind leichter zu führen.
- g) Verwenden Sie Elektrowerkzeug, Zubehör, Einsatzwerkzeuge usw. entsprechend diesen Anweisungen. Berücksichtigen Sie dabei die Arbeitsbedingungen und die auszuführende Tätigkeit. Der Gebrauch von Elektrowerkzeugen für andere als die vorgesehenen Anwendungen kann zu gefährlichen Situationen führen.

5. Service

- a) Lassen Sie Ihr Elektrowerkzeug nur von qualifiziertem Fachpersonal und nur mit Original-Ersatzteilen reparieren. Damit wird sichergestellt, dass die Sicherheit des Elektrowerkzeugs erhalten bleibt.

Sicherheitshinweise für Trennschleifmaschinen

- a) Die zum Elektrowerkzeug gehörende Schutzhaube muss sicher angebracht und so eingestellt sein, dass ein Höchstmaß an Sicherheit erreicht wird, d. h. der kleinstmögliche Teil des Schleifkörpers zeigt offen zur Bedienperson. Halten Sie und in der Nähe befindliche Personen sich außerhalb der Ebene der rotierenden Schleifscheibe auf. Die Schutzhaube soll die Bedienperson vor Bruchstücken und zufälligem Kontakt mit dem Schleifkörper schützen.
- b) Verwenden Sie ausschließlich diamantbesetzte Trennscheiben für Ihr Elektrowerkzeug. Nur weil Sie das Zubehör an Ihrem Elektrowerkzeug befestigen können, garantiert das keine sichere Verwendung.
- c) Die zulässige Drehzahl des Einsatzwerkzeugs muss mindestens so hoch sein wie die auf dem Elektrowerkzeug angegebene Höchstdrehzahl. Zubehör, das sich schneller als zulässig dreht, kann zerbrechen und umherfliegen.
- d) Schleifkörper dürfen nur für die empfohlenen Einsatzmöglichkeiten verwendet werden. Zum Beispiel: Schleifen Sie nie mit der Seitenfläche einer Trennscheibe. Trennscheiben sind zum Materialabtrag mit der Kante der Scheibe bestimmt. Seitliche Krafteinwirkung auf diese Schleifkörper kann sie zerbrechen.
- e) Verwenden Sie immer unbeschädigte Spannfleische in der richtigen Größe und Form für die von Ihnen gewählte Schleifscheibe. Geeignete Flansche stützen die Schleifscheibe und verringern so die Gefahr eines Schleifscheibenbruchs.
- f) Außendurchmesser und Dicke des Einsatzwerkzeugs müssen den Maßangaben Ihres Elektrowerkzeugs entsprechen. Falsch bemessene Einsatzwerkzeuge können nicht ausreichend abgeschirmt oder kontrolliert werden.
- g) Schleifscheiben und Flansche müssen genau auf die Schleifspindel Ihres Elektrowerkzeugs passen. Einsatzwerkzeuge, die nicht genau auf die Schleifspindel des Elektrowerkzeugs passen, drehen sich ungleichmäßig, vibrieren sehr stark und können zum Verlust der Kontrolle führen.
- h) Verwenden Sie keine beschädigten Schleifscheiben. Kontrollieren Sie vor jeder Verwendung die Schleifscheiben auf Absplitterungen und Risse. Wenn das Elektrowerkzeug oder die Schleifscheibe herunterfällt, überprüfen Sie, ob es / sie beschädigt ist, oder verwenden Sie eine unbeschädigte Schleifscheibe. Wenn Sie die Schleifscheibe kontrolliert und eingesetzt haben, halten Sie und in der Nähe befindliche Personen sich außerhalb der Ebene der rotierenden Schleifscheibe auf und lassen Sie das Gerät eine Minute lang mit Höchstdrehzahl laufen. Beschädigte Schleifscheiben brechen meist in dieser Testzeit.

- i) Tragen Sie persönliche Schutzausrüstung. Verwenden Sie je nach Anwendung Vollgesichtsschutz, Augenschutz oder Schutzbrille. Soweit angemessen, tragen Sie Staubmaske, Gehörschutz, Schutzhandschuhe oder Spezialschürze, die kleine Schleif- und Materialpartikel von Ihnen fernhält. Die Augen sollen vor herumfliegenden Fremdkörpern geschützt werden, die bei verschiedenen Anwendungen entstehen. Staub- oder Atemschutzmaske müssen den bei der Anwendung entstehenden Staub filtern. Wenn Sie lange lautem Lärm ausgesetzt sind, können Sie einen Hörverlust erleiden.
- j) Achten Sie bei anderen Personen auf sicheren Abstand zu Ihrem Arbeitsbereich. Jeder, der den Arbeitsbereich betritt, muss persönliche Schutzausrüstung tragen. Bruchstücke des Werkstücks oder gebrochener Einsatzwerkzeuge können wegfliegen und Verletzungen auch außerhalb des direkten Arbeitsbereichs verursachen.
- k) Halten Sie das Gerät nur an den isolierten Griffflächen, wenn Sie Arbeiten ausführen, bei denen das Einsatzwerkzeug verborgene Stromleitungen oder das eigene Netzkabel treffen kann. Der Kontakt mit einer spannungsführenden Leitung kann auch metallene Geräteteile unter Spannung setzen und zu einem elektrischen Schlag führen.
- l) Halten Sie das Netzkabel von sich drehenden Einsatzwerkzeugen fern. Wenn Sie die Kontrolle über das Gerät verlieren, kann das Netzkabel durchtrennt oder erfasst werden und Ihre Hand oder Ihr Arm in das sich drehende Einsatzwerkzeug geraten.
- m) Legen Sie das Elektrowerkzeug niemals ab, bevor das Einsatzwerkzeug völlig zum Stillstand gekommen ist. Das sich drehende Einsatzwerkzeug kann in Kontakt mit der Ablagefläche geraten, wodurch Sie die Kontrolle über das Elektrowerkzeug verlieren können.
- n) Lassen Sie das Elektrowerkzeug nicht laufen, während Sie es tragen. Ihre Kleidung kann durch zufälligen Kontakt mit dem sich drehenden Einsatzwerkzeug erfasst werden, und das Einsatzwerkzeug sich in Ihren Körper bohren.
- o) Reinigen Sie regelmäßig die Lüftungsschlitze Ihres Elektrowerkzeugs. Das Motorgebläse zieht Staub in das Gehäuse, und eine starke Ansammlung von Metallstaub kann elektrische Gefahren verursachen.
- p) Verwenden Sie das Elektrowerkzeug nicht in der Nähe brennbarer Materialien. Funken können diese Materialien entzünden.
- q) Möglicherweise ist beim Betrieb dieses Gerätes die Verwendung von Wasser oder einer anderen Kühlflüssigkeit erforderlich. Es darf daher nur an durch Fehlerstromschutzschalter geschützte Stromkreise angeschlossen werden. Überprüfen Sie regelmäßig die einwandfreie Funktion des Fehlerstromschutzschalters. Die Arbeit mit Geräten, bei denen Wasser oder eine andere Kühlflüssigkeit zum Einsatz kommt, birgt die Gefahr elektrischer Schläge oder tödlicher Stromschläge, wenn kein Fehlerstromschutzschalter verwendet wird.
- r) Halten Sie Ihre Hände vom Schneidebereich und der Trennscheibe fern. Halten Sie die andere Hand am Zusatzgriff oder dem Motorgehäuse. Wenn Sie die Maschine mit beiden Händen halten, kann die Trennscheibe keine Verletzungen an den Händen verursachen.
- s) Greifen Sie niemals unter das Werkstück. Die Schutzvorrichtung kann Sie nicht vor der Trennscheibe unterhalb des Werkstücks schützen.
- t) Halten Sie das zu schneidene Werkstück niemals in den Händen oder auf dem Bein. Sichern Sie das Werkstück auf einer stabilen Plattform. Es ist wichtig, das Werkstück richtig abzustützen, damit ihr Körper geschützt wird, die Trennscheibe nicht festklemmt und Sie die Kontrolle behalten.
- u) Verwenden Sie niemals beschädigte oder falsche Unterlegscheiben oder einen beschädigten oder falschen Bolzen für die Trennscheibe. Die Unterlegscheiben und der Bolzen für die Trennscheibe wurden speziell für Ihre Maschine konstruiert, so dass eine optimale Leistung und Betriebssicherheit erzielt wird.

- v) Ziehen Sie den Netzstecker nicht, wenn dieser oder die Steckdose nass geworden ist. Schalten Sie zuerst den Strom durch Herausnehmen der Sicherung bzw. mit dem Unterbrecher des betreffenden Stromkreises aus. Ziehen Sie erst dann den Stecker und prüfen Sie die Anschlüsse auf eventuelle Wasserspuren.

WARNUNG!

- ▶ Um die Gefahr von elektrischen Schlägen zu vermeiden, halten Sie alle Anschlüsse trocken und vom Boden fern. Berühren Sie den Netzstecker nicht mit nassen Händen.
- ▶ Der Kabelsatz ist mit einer tragbaren Fehlerstrom-Schutzeinrichtung ausgestattet. Es sind Steckdosen mit integrierter tragbarer Fehlerstrom-Schutzeinrichtung erhältlich, die für mehr Sicherheit verwendet werden können. Wenn Sie ein Verlängerungskabel verwenden, stecken Sie dieses immer in eine durch eine tragbare Fehlerstrom-Schutzeinrichtung geschützte Steckdose.
- ▶ Stecken Sie ein Verlängerungskabel immer in eine durch eine tragbare Fehlerstrom-Schutzeinrichtung geschützte Steckdose.
- ▶ Verwenden Sie das Gerät niemals mit Salzwasser oder leitenden Flüssigkeiten.
- ▶ Nuten und Schlitze in tragenden Wänden unterliegen der Norm DIN 1053-1 und/oder ggf. länderspezifischen Bestimmungen. Diese Vorschriften sind unter allen Umständen einzuhalten. Wenden Sie sich vor Aufnahme der Arbeit an den zuständigen Statiker, Architekten oder den Bauleiter.
- ▶ Zulässige Trennscheibenkonstruktionen: segmentierte Diamantscheiben mit maximalen Schlitzen zwischen den Segmenten von 10 mm, nur mit negativem Schneidwinkel.

Weitere Sicherheitshinweise für Trennschleifanwendungen

Rückschlag und entsprechende Sicherheitshinweise

Rückschlag - Ursachen und entsprechende Sicherheitshinweise

- Rückschlag ist die plötzliche Reaktion infolge einer hakenden oder blockierten drehenden Schleifscheibe. Verhaken oder Blockieren führt zu einem abrupten Stopp des rotierenden Einsatzwerkzeugs. Dadurch wird ein unkontrolliertes Elektrowerkzeug gegen die Drehrichtung des Einsatzwerkzeugs an der Blockierstelle beschleunigt.
- Wenn z. B. eine Schleifscheibe im Werkstück hakt oder blockiert, kann sich die Kante der Schleifscheibe, die in das Werkstück eintaucht, verfangen und dadurch die Schleifscheibe ausbrechen oder einen Rückschlag verursachen. Die Schleifscheibe bewegt sich dann auf die Bedienperson zu oder von ihr weg, je nach Drehrichtung der Scheibe an der Blockierstelle. Hierbei können Schleifscheiben auch brechen.

Ein Rückschlag ist die Folge eines falschen oder fehlerhaften Gebrauchs des Elektrowerkzeugs. Er kann durch geeignete Vorsichtsmaßnahmen, wie nachfolgend beschrieben, verhindert werden.

- a) **Halten Sie das Elektrowerkzeug gut fest und bringen Sie Ihren Körper und Ihre Arme in eine Position, in der Sie die Rückschlagkräfte abfangen können. Verwenden Sie immer den Zusatzgriff, falls vorhanden, um die größtmögliche Kontrolle über Rückschlagkräfte oder Reaktionsmomente beim Hochlauf zu haben.** Die Bedienperson kann durch geeignete Vorsichtsmaßnahmen die Rückschlag- und Reaktionskräfte beherrschen.
- b) **Bringen Sie Ihre Hand nie in die Nähe sich drehender Einsatzwerkzeuge.** Das Einsatzwerkzeug kann sich beim Rückschlag über Ihre Hand bewegen.
- c) **Meiden Sie den Bereich vor und hinter der rotierenden Trennscheibe.** Der Rückschlag treibt das Elektrowerkzeug in die Richtung entgegengesetzt zur Bewegung der Schleifscheibe an der Blockierstelle.

- d) Arbeiten Sie besonders vorsichtig im Bereich von Ecken, scharfen Kanten usw. Verhindern Sie, dass Einsatzwerkzeuge vom Werkstück zurückprallen und verklemmen. Das rotierende Einsatzwerkzeug neigt bei Ecken, scharfen Kanten oder wenn es abprallt dazu, sich zu verklemmen. Dies verursacht einen Kontrollverlust oder Rückschlag.
- e) Verwenden Sie keine Ketten- oder gezähnten Trennscheiben sowie keine segmentierte Diamantscheibe mit mehr als 10 mm breiten Schlitz. Solche Einsatzwerkzeuge verursachen häufig einen Rückschlag oder den Verlust der Kontrolle über das Elektrowerkzeug.
- f) Vermeiden Sie ein Blockieren der Trennscheibe oder zu hohen Anpressdruck. Führen Sie keine übermäßig tiefen Schnitte aus. Eine Überlastung der Trennscheibe erhöht deren Beanspruchung und die Anfälligkeit zum Verkannten oder Blockieren und damit die Möglichkeit eines Rückschlags oder Schleifkörperbruchs.
- g) Falls die Trennscheibe verklemmt oder Sie die Arbeit unterbrechen, schalten Sie das Gerät aus und halten Sie es ruhig, bis die Scheibe zum Stillstand gekommen ist. Versuchen Sie nie, die noch laufende Trennscheibe aus dem Schnitt zu ziehen, sonst kann ein Rückschlag erfolgen. Ermitteln und beheben Sie die Ursache für das Verklemmen.
- h) Schalten Sie das Elektrowerkzeug nicht wieder ein, solange es sich im Werkstück befindet. Lassen Sie die Trennscheibe erst ihre volle Drehzahl erreichen, bevor Sie den Schnitt vorsichtig fortsetzen. Anderenfalls kann die Scheibe verhaken, aus dem Werkstück springen oder einen Rückschlag verursachen.
- i) Stützen Sie Platten oder große Werkstücke ab, um das Risiko eines Rückschlags durch eine eingeklemmte Trennscheibe zu vermindern. Große Werkstücke können sich unter ihrem eigenen Gewicht durchbiegen. Das Werkstück muss auf beiden Seiten der Scheibe abgesetzt werden, und zwar sowohl in der Nähe des Trennschnitts als auch an der Kante.
- j) Seien Sie besonders vorsichtig bei „Taschenschnitten“ in bestehende Wände oder andere nicht einsehbare Bereiche. Die eintauchende Trennscheibe kann beim Schneiden in Gas- oder Wasserleitungen, elektrische Leitungen oder andere Objekte einen Rückschlag verursachen.
- k) Positionieren Sie Ihren Körper auf einer der beiden Seiten der Trennscheibe, jedoch nicht in einer Reihe mit der Trennscheibe.

Ergänzende Anweisungen



Gehörschutz tragen!



Schutzbrille tragen!



Sicherheitsschuhe tragen!



Schutzhandschuhe tragen!



Atemschutz tragen!



Nicht zulässig für Seitenschleifen

Originalzubehör / -zusatzgeräte

- Benutzen Sie nur Zubehör und Zusatzgeräte, die in der Bedienungsanleitung angegeben sind bzw. deren Aufnahme mit dem Gerät kompatibel ist.

Restrisiken

Trotz Beachtung der geltenden Sicherheitsvorschriften und des Einsatzes von Schutzvorrichtungen können bestimmte Risiken nicht vermieden werden. Diese sind folgende:

- Schwerhörigkeit
- Verletzungsgefahr durch umherfliegende Fragmente
- Verbrennungsgefahr durch während des Betriebes heiß werdende Zubehörteile
- Verletzungsgefahr durch andauernden Gebrauch.

Arbeitshinweise

- Sichern Sie das Werkstück. Benutzen Sie Spannvorrichtungen / Schraubstock, um das Werkstück festzuhalten. Es ist damit sicherer gehalten, als mit Ihrer Hand.
- Asbesthaltiges Material darf nicht bearbeitet werden. Asbest gilt als krebserregend.



! Tipp! So verhalten Sie sich richtig.

⚠️ GEFAHR! FÜHREN SIE DAS GERÄT IMMER IM GEGENLAUF DURCH DAS WERKSTÜCK.

- ▶ Bei entgegengesetzter Richtung besteht die Gefahr eines Rückschlags. Das Gerät kann aus dem Schnitt gedrückt werden.
- Halten Sie das Gerät während der Arbeit immer fest mit beiden Händen. Sorgen Sie für einen sicheren Stand.
- Beim Bearbeiten von schrägen Flächen darf das Gerät nicht mit großer Kraft auf das Werkstück gedrückt werden. Wenn die Drehzahl stark abfällt, müssen Sie die Andruckkraft reduzieren, um sicheres und effektives Arbeiten zu ermöglichen. Sollte das Gerät plötzlich vollkommen gebremst oder blockiert sein, muss das Gerät sofort ausgeschaltet werden.
- Trennen: Arbeiten Sie mit mäßigem Vorschub und verkanten Sie die Trennscheibe nicht.
- Trennscheiben werden beim Arbeiten sehr heiß – lassen Sie sie vor dem Berühren vollständig abkühlen.
- Verwenden Sie das Gerät niemals zweckentfremdet.
- Seien Sie stets aufmerksam! Achten Sie immer darauf, was Sie tun, und gehen Sie stets mit Vernunft vor. Benutzen Sie das Gerät in keinem Fall, wenn Sie unkonzentriert sind oder sich unwohl fühlen.

Montage

Trennscheibe montieren / wechseln

⚠️ WARNUNG! VERLETZUNGSGEFAHR!

- Schalten Sie vor allen Arbeiten am Gerät das Gerät aus und ziehen Sie den Netzstecker.

HINWEIS

- Verwenden Sie nur Diamanttrennscheiben mit Durchmessern entsprechend den Aufschriften auf dem Gerät.
- ◆ Setzen Sie die Schnittiefe (mittels Feststellschraube ②) auf die minimalste Position.
- ◆ Betätigen Sie die Spindelarretierung ②④ und drehen Sie die Spanschraube ⑬ bis die Spindelarretierung ②④ einrastet. Lösen Sie mit dem Innensechskantschlüssel ⑭ die Spanschraube / Unterlegscheibe ⑬. Nehmen Sie jetzt die Spanschraube / Unterlegscheibe ⑬ und den Spannflansch ⑫ ab (siehe auch Ausklappseite Abb. A).
- ◆ Nehmen Sie die Trennscheibe ⑪ ab.
- ◆ Einbau der Trennscheibe ⑪ entsprechend in umgekehrter Reihenfolge wie beschrieben vornehmen.
- ◆ Betätigen Sie die Spindelarretierung ②④ und drehen Sie die Spanschraube ⑬ bis die Spindelarretierung ②④ einrastet. Ziehen Sie mit dem Innensechskantschlüssel ⑭ die Spanschraube ⑬ fest.

⚠️ WARNUNG!

- ▶ Der Pfeil auf der Trennscheibe ⑪ muss mit dem Drehrichtungspfeil (Laufrichtung, am Gerät markiert) übereinstimmen.
- Stellen Sie sicher, dass die Trennscheibe ⑪ für die Drehzahl des Werkzeuges geeignet ist.

Parallelanschlag montieren / einstellen

- ◆ Lösen Sie die Flügelschraube ⑦ und setzen Sie den Parallelanschlag ⑨ in die Parallelanschlagaufnahme ④ ein.

- ◆ Stellen Sie die gewünschte Schnittbreite mit Hilfe der Skala auf dem Parallelanschlag **9** und der Parallelanschlagsaufnahme **4** ein. Die Parallelanschlagsaufnahme **4** dient hierbei als Orientierungsmarkierung (siehe auch Ausklappseite Abb. E).
- ◆ Ziehen Sie die Flügelschraube **7** wieder fest.

Wasser-Zulaufschlauch montieren

⚠️ WARNUNG!

- ▶ Überprüfen Sie vor jedem Gebrauch die korrekte Funktion des Fehlerstromschutzschalters **23**!
- ▶ Arbeiten Sie mit dem Gerät in waagerechter Position und nicht über Kopf, damit kein Wasser in die Maschine eindringen kann.
- ▶ Prüfen Sie vor jedem Gebrauch das Wasserzulaufsystem auf Dichtigkeit.

⚠️ VORSICHT!

- ▶ Schließen Sie das Gerät nicht an ein Wasserversorgungssystem mit mehr als 6 bar an!
- ▶ Verwenden Sie nur Wasser als Kühlmittel.
- ◆ Setzen Sie die Schnitttiefe (mittels Feststellschraube **2**) auf die minimalste Position.
- ◆ Montieren Sie mit Hilfe eines Kreuzschlitzschraubendrehers und der mitgelieferten Zubehörschraube **16** den Wasserzulauf **15** am Gehäuse (siehe auch Ausklappseite Abb. B). Beachten Sie dabei, dass der Wasserzulauf **15** um die Schnitttiefeinstellung herumgeführt werden muss. Die beiden Wasserauslässe des Wasserzulaufs **15** müssen seitlich der Trennscheibe **11** liegen (siehe auch Ausklappseite Abb. F).
- ◆ Stecken Sie den Wasser-Zulaufschlauch **18** an den Wasserzulauf **15**.
- ◆ Stecken Sie das andere Ende des Wasser-Zulaufschlauchs **18** auf den Wasseranschlussadapter **19**.
- ◆ Schließen Sie den Wasseranschlussadapter **19** an einen Wasserleitungsschlauch mit passendem Durchmesser von ca. 19 mm an. Prüfen Sie den festen Sitz, indem Sie am Wasserleitungsschlauch ziehen.

- ◆ Öffnen Sie das Ventil **17** am Wasserzulauf **15**.
- ◆ Stellen Sie die Wassermenge so gering wie nötig an der Wasserquelle ein. Es muss sich immer ausreichend Wasser auf der Trennscheibe **11** und dem Schnittbereich befinden.
- ◆ Unterbrechen Sie die Wasserzufuhr nach Beendigung der Arbeiten.

Staubabsaugung montieren

Im Auslieferungszustand ist die Anschlussstelle des Adapters zur Staubabsaugung **10** verschlossen. Um die Staubabsaugung zu montieren gehen Sie wie folgt vor:

- ◆ Entfernen Sie die Schrauben **8** aus dem Gehäuse und nehmen Sie die Schutzabdeckung **25** ab.
- ◆ Befestigen Sie mithilfe der Schrauben **8** den Adapter zur Staubabsaugung **10** auf dem Staubauswurf **3**.
- ◆ Schließen Sie eine zugelassene Staub- und Spanabsaugung an.

Bedienung

⚠️ WARNUNG!

- ▶ Verhindern Sie, dass Tropfwasser entlang des Netzkabels in die Netzsteckdose oder den Netzstecker tropfen kann. Bilden Sie dazu aus dem Netzkabel eine Schlaufe, die sich unterhalb der Netzsteckdose befindet. So kann verhindert werden, dass eventuelles Tropfwasser in die Netzsteckdose gelangt.

Fehlerstromschutzschalter

⚠️ WARNUNG!

- ▶ Überprüfen Sie vor jedem Gebrauch die korrekte Funktion des Fehlerstromschutzschalters **23**!
- ◆ Verbinden Sie den Fehlerstromschutzschalter **23** mit dem Stromnetz.
- ◆ Drücken Sie die Reset-Taste **20** bis der Indikator **21** rot anzeigt.

- ◆ Drücken Sie die Test-Taste **22** bis der Indikator **21** schwarz anzeigt. Der Test war somit erfolgreich. Falls der Indikator **21** weiterhin rot anzeigen sollte, ist der Fehlerstromschutzschalter **23** defekt und muss von Fachpersonal repariert werden!

⚠️ WARNUNG!

- ▶ Nehmen Sie kein Gerät mit fehlerhaften Fehlerschutzschalter in Betrieb!
- ◆ Drücken Sie nach erfolgreichem Test erneut die Reset-Taste **20**, um das Gerät in Betrieb nehmen zu können.

Ein- und ausschalten

⚠️ WARNUNG!

- ▶ Um die Gefahr von elektrischen Schlägen zu vermeiden, stellen Sie sicher, dass kein Wasser in das Gerät eindringt. Berühren Sie den Netzstecker nicht mit nassen Händen.

⚠️ VORSICHT!

- ▶ Warten Sie, bis das Gerät die maximale Drehzahl erreicht hat und benutzen Sie einen niedrigen Vorschub, um saubere Schnitte zu erzielen.

Einschalten:

- ◆ Betätigen Sie den EIN-/AUS-Schalter **1**.

Ausschalten:

- ◆ Lassen Sie den EIN-/AUS-Schalter **1** los.

Schnittwinkel einstellen

Sie können den Schnittwinkel mit Hilfe der Schnittwinkelskala **6** bestimmen.

- Lösen Sie die Flügelschraube der Schnittwinkelwahl **5**. Stellen Sie den gewünschten Winkel an der Schnittwinkelskala **6** ein und ziehen Sie die Flügelschraube **5** wieder fest.

Schnitttiefe einstellen

HINWEIS

- ▶ Wir empfehlen, die Schnitttiefe möglichst ca. 3 mm größer als die Materialstärke zu wählen. Dadurch erzielen Sie einen sauberen Schnitt.
- ▶ Um die korrekte Einstellung zu ermitteln, können Sie das Gerät auf die Kante des zu bearbeitenden Materials stellen, sodass die Trennscheibe **11** bei gelöster Feststellschraube **2** frei nach unten schwingen kann. Wenn die Trennscheibe **11** ca. 3 mm über die Materialstärke hinausragt, ziehen Sie die Feststellschraube **2** fest.
- ▶ Verfahren Sie ähnlich, wenn Sie eine Nut fräsen wollen.
- ▶ Wir empfehlen die Einstellung an einem Probe-Materialstück zu testen.
- ◆ Lösen Sie die Feststellschraube **2**. Stellen Sie die gewünschte Schnitttiefe ein und ziehen Sie die Feststellschraube **2** wieder fest.

Handhabung des Gerätes

1. Gerät – wie unter »Ein- und ausschalten« beschrieben – einschalten und mit der vorderen Kante der Grundplatte **25** auf das Material setzen.
2. Richten Sie die Maschine am Parallelanschlag **9** oder an einer aufgezeichneten Linie aus.
3. Halten Sie die Maschine mit beiden Händen am Griff und Gehäuse. Führen Sie sie mitmäßigem Druck.

Wartung und Reinigung



WARNUNG! VERLETZUNGSGEFAHR!
Schalten Sie vor allen Arbeiten am Gerät das Gerät aus und ziehen Sie den Netzstecker.

- Bewahren Sie das Gerät an einem trockenen und staubgeschützten Ort auf.
- Trennscheiben müssen trocken aufbewahrt werden und dürfen nicht gestapelt werden.
- Das Gerät muss stets sauber und frei von Öl oder Schmierfetten sein.

- Verwenden Sie zum Reinigen des Gehäuses ein trockenes Tuch.
- Lassen Sie den Austausch der Kohlebürsten ausschließlich durch die Servicestelle oder eine anerkannte Fachwerkstatt durchführen.
- Lüftungsöffnungen müssen immer frei sein.
- Entfernen Sie anhaftenden Schleifstaub mit einem Pinsel.

⚠️ WARNUNG!

- Wenn ein Ersatz der Anschlussleitung erforderlich ist, dann ist dies vom Hersteller oder seinem Vertreter auszuführen, um Sicherheitsgefährdungen zu vermeiden.

HINWEIS

- ▶ Nicht aufgeführte Ersatzteile (wie z. B. Kohlebürsten, Schalter) können Sie über unsere Service - Hotline bestellen.

Entsorgung



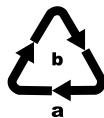
Die Verpackung besteht aus umweltfreundlichen Materialien. Sie kann in den örtlichen Recyclebehältern entsorgt werden.



Werfen Sie Elektrowerkzeuge nicht in den Hausmüll!

Gemäß Europäischer Richtlinie 2012/19/EU müssen verbrauchte Elektrowerkzeuge getrennt gesammelt und einer umweltgerechten Wiederverwertung zugeführt werden.

Möglichkeiten zur Entsorgung des ausgedienten Gerätes erfahren Sie bei Ihrer Gemeinde- oder Stadtverwaltung.



Entsorgen Sie die Verpackung umweltgerecht.

Beachten Sie die Kennzeichnung auf den verschiedenen Verpackungsmaterialien und trennen Sie diese gegebenenfalls gesondert. Die Verpackungsmaterialien sind gekennzeichnet mit Abkürzungen (a) und Ziffern (b) mit folgender Bedeutung:

- 1-7: Kunststoffe,
- 20-22: Papier und Pappe,
- 80-98: Verbundstoffe



Möglichkeiten zur Entsorgung des ausgedienten Produkts erfahren Sie bei Ihrer Gemeinde- oder Stadtverwaltung.

Garantie der Kompersnaß Handels GmbH

Sehr geehrte Kundin, sehr geehrter Kunde,

Sie erhalten auf dieses Gerät 3 Jahre Garantie ab Kaufdatum. Im Falle von Mängeln dieses Produkts stehen Ihnen gegen den Verkäufer des Produkts gesetzliche Rechte zu. Diese gesetzlichen Rechte werden durch unsere im Folgenden dargestellte Garantie nicht eingeschränkt.

Garantiebedingungen

Die Garantiefrist beginnt mit dem Kaufdatum. Bitte bewahren Sie den Kassenbon gut auf. Dieser wird als Nachweis für den Kauf benötigt.

Tritt innerhalb von drei Jahren ab dem Kaufdatum dieses Produkts ein Material- oder Fabrikationsfehler auf, wird das Produkt von uns – nach unserer Wahl – für Sie kostenlos repariert, ersetzt, oder der Kaufpreis erstattet. Diese Garantieleistung setzt voraus, dass innerhalb der Dreijahresfrist das defekte Gerät und der Kaufbeleg (Kassenbon) vorgelegt und schriftlich kurz beschrieben wird, worin der Mangel besteht und wann er aufgetreten ist.

Wenn der Defekt von unserer Garantie gedeckt ist, erhalten Sie das reparierte oder ein neues Produkt zurück. Mit Reparatur oder Austausch des Produkts beginnt kein neuer Garantiezeitraum.

Garantiezeit und gesetzliche Mängelansprüche

Die Garantiezeit wird durch die Gewährleistung nicht verlängert. Dies gilt auch für ersetzte und reparierte Teile. Eventuell schon beim Kauf vorhandene Schäden und Mängel müssen sofort nach dem Auspacken gemeldet werden. Nach Ablauf der Garantiezeit anfallende Reparaturen sind kostenpflichtig.

Garantieumfang

Das Gerät wurde nach strengen Qualitätsrichtlinien sorgfältig produziert und vor Auslieferung gewissenhaft geprüft.

Die Garantieleistung gilt für Material- oder Fabrikationsfehler. Diese Garantie erstreckt sich nicht auf Produktteile, die normaler Abnutzung ausgesetzt sind und daher als Verschleißteile angesehen werden können oder für Beschädigungen an zerbrechlichen Teilen, z. B. Schalter, Akkus oder Teile, die aus Glas gefertigt sind.

Diese Garantie verfällt, wenn das Produkt beschädigt, nicht sachgemäß benutzt oder gewartet wurde. Für eine sachgemäße Benutzung des Produkts sind alle in der Bedienungsanleitung aufgeführten Anweisungen genau einzuhalten. Verwendungszwecke und Handlungen, von denen in der Bedienungsanleitung abgeraten oder vor denen gewarnt wird, sind unbedingt zu vermeiden.

Das Produkt ist nur für den privaten und nicht für den gewerblichen Gebrauch bestimmt. Bei missbräuchlicher und unsachgemäßer Behandlung, Gewaltanwendung und bei Eingriffen, die nicht von unserer autorisierten Servicenerlassung vorgenommen wurden, erlischt die Garantie.

Abwicklung im Garantiefall

Um eine schnelle Bearbeitung Ihres Anliegens zu gewährleisten, folgen Sie bitte den folgenden Hinweisen:

- Bitte halten Sie für alle Anfragen den Kassenschein und die Artikelnummer (z. B. IAN 123456) als Nachweis für den Kauf bereit.
- Die Artikelnummer entnehmen Sie bitte dem Typenschild am Produkt, einer Gravur am Produkt, dem Titelblatt der Bedienungsanleitung (unten links) oder dem Aufkleber auf der Rück- oder Unterseite des Produktes.
- Sollten Funktionsfehler oder sonstige Mängel auftreten, kontaktieren Sie zunächst die nachfolgend benannte Serviceabteilung **telefonisch** oder per **E-Mail**.

- Ein als defekt erfasstes Produkt können Sie dann unter Beifügung des Kaufbelegs (Kassenschein) und der Angabe, worin der Mangel besteht und wann er aufgetreten ist, für Sie portofrei an die Ihnen mitgeteilte Serviceanschrift übersenden.



Auf www.lidl-service.com können Sie diese und viele weitere Handbücher, Produktvideos und Installationssoftware herunterladen.

Mit diesem QR-Code gelangen Sie direkt auf die Lidl-Service-Seite (www.lidl-service.com) und können mittels der Eingabe der Artikelnummer (IAN) 312517 Ihre Bedienungsanleitung öffnen.

Service

DE Service Deutschland

Tel.: 0800 5435 111 (kostenfrei aus dem dt. Festnetz/Mobilfunknetz)
E-Mail: kompernass@lidl.de

AT Service Österreich

Tel.: 0820 201 222 (0,15 EUR/Min.)
E-Mail: kompernass@lidl.at

CH Service Schweiz

Tel.: 0842 665566 (0,08 CHF/Min., Mobilfunk max. 0,40 CHF/Min.)
E-Mail: kompernass@lidl.ch

IAN 312517

Importeur

Bitte beachten Sie, dass die folgende Anschrift keine Serviceanschrift ist. Kontaktieren Sie zunächst die benannte Servicestelle.

KOMPERNASS HANDELS GMBH
BURGSTRASSE 21
DE-44867 BOCHUM
DEUTSCHLAND
www.kompernass.com

Original-Konformitätserklärung

Wir, KOMPERNASS HANDELS GMBH, Dokumentenverantwortlicher: Herr Semi Uguzlu, BURGSTR. 21, DE - 44867 BOCHUM, DEUTSCHLAND, erklären hiermit, dass dieses Produkt mit den folgenden Normen, normativen Dokumenten und EG-Richtlinien übereinstimmt:

**Maschinenrichtlinie
(2006 / 42 / EG)**

**Elektromagnetische Verträglichkeit
(2014 / 30 / EU)**

**RoHS Richtlinie
(2011 / 65 / EU)***

*Die alleinige Verantwortung für die Ausstellung dieser Konformitätserklärung trägt der Hersteller. Der oben beschriebene Gegenstand der Erklärung erfüllt die Vorschriften der Richtlinie 2011/65/EU des Europäischen Parlaments und des Rates vom 8. Juni 2011 zur Beschränkung der Verwendung bestimmter gefährlicher Stoffe in Elektro- und Elektronikgeräten.

Angewandte harmonisierte Normen:

EN 60745-1:2009/A11:2010

EN 60745-2-22:2011/A11:2013

EN 55014-1:2017

EN 55014-2:2015

EN 61000-3-2:2014

EN 61000-3-3:2013

Typbezeichnung der Maschine: Diamantschneider PDFS 1300 A1

Herstellungsjahr: 01 - 2019

Seriennummer: IAN 312517

Bochum, 23.01.2019



Semi Uguzlu

- Qualitätsmanager -

Technische Änderungen im Sinne der Weiterentwicklung sind vorbehalten.

KOMPERNASS HANDELS GMBH

BURGSTRASSE 21

DE-44867 BOCHUM

GERMANY

www.kompennass.com

Last Information Update · Stand der Informationen:

04/2019 · Ident.-No.: PDFS1300A1-022019-2

IAN 312517