



[www.lidl-service.com](http://www.lidl-service.com)



## **SABRE SAW PFS 710 D3**

GB IE NI

### **SABRE SAW**

Translation of the original instructions

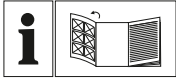
DE AT CH

### **SÄBELSÄGE**

Originalbetriebsanleitung

**IAN 310922**

GB IE  
NI



GB IE NI

Before reading, unfold the page containing the illustrations and familiarise yourself with all functions of the device.

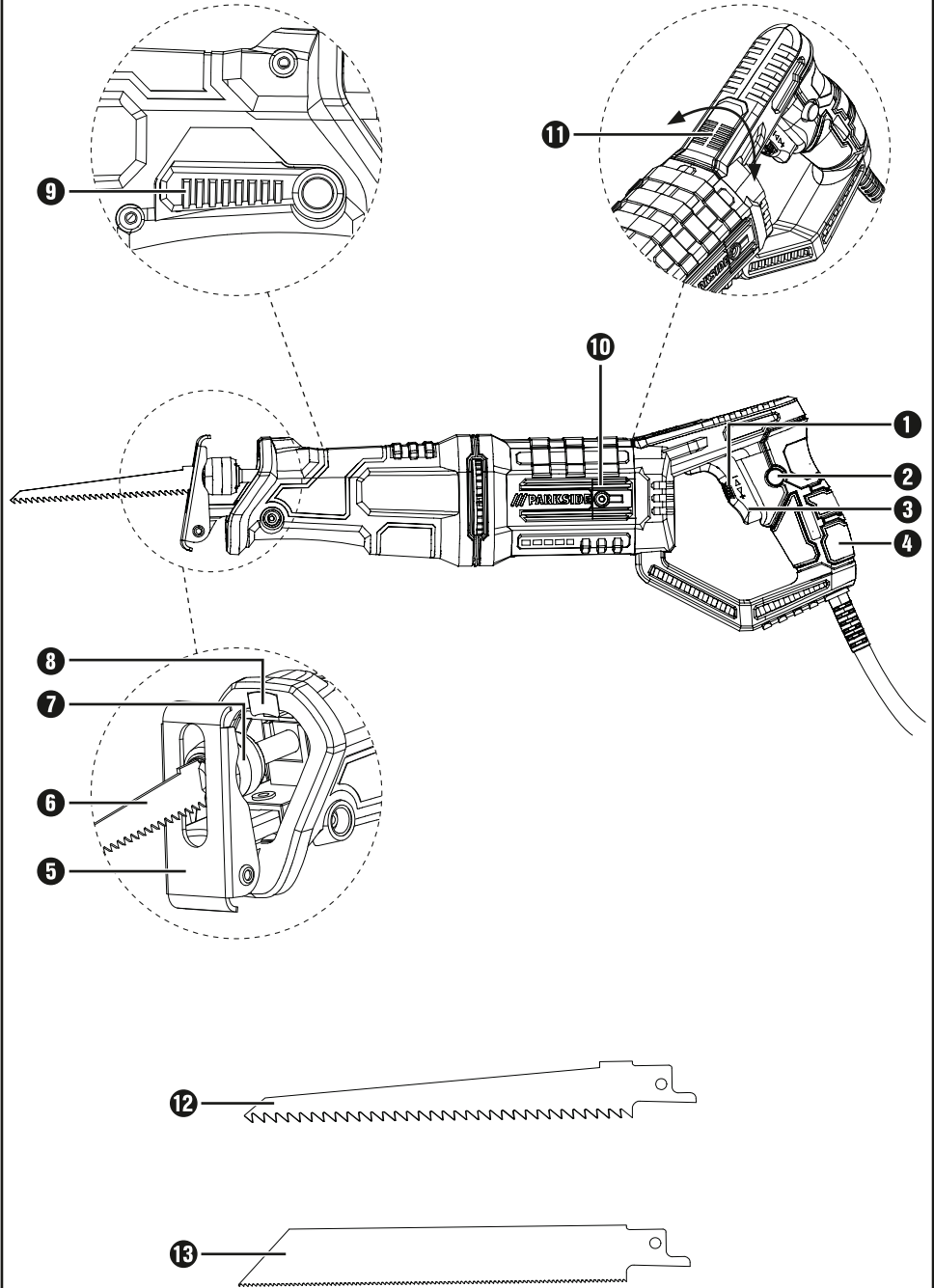
---

DE AT CH

Klappen Sie vor dem Lesen die Seite mit den Abbildungen aus und machen Sie sich anschließend mit allen Funktionen des Gerätes vertraut.

GB/IE/NI	Translation of the original instructions	Page	1
DE/AT/CH	Originalbetriebsanleitung	Seite	11

---



# Contents

<b>Introduction</b> .....	<b>2</b>
Intended use .....	2
Features .....	2
Package contents .....	2
Technical data .....	2
<b>General Power Tool Safety Warnings</b> .....	<b>3</b>
1. Work area safety .....	3
2. Electrical safety .....	3
3. Personal safety .....	3
4. Power tool use and care .....	4
5. Service .....	4
Appliance-specific safety instructions for sabre saws .....	5
Original accessories/auxiliary equipment .....	5
Information on saw blades .....	5
<b>Before use</b> .....	<b>5</b>
Fitting/changing the saw blade .....	5
Turning the appliance handle .....	5
Adjusting the footplate .....	6
Stroke rate selection .....	6
<b>Use</b> .....	<b>6</b>
Switching on and off .....	6
Guiding the sabre blade safely .....	6
Practical advice on sawing .....	6
<b>Maintenance and cleaning</b> .....	<b>7</b>
<b>Kompernass Handels GmbH warranty</b> .....	<b>7</b>
<b>Service</b> .....	<b>8</b>
<b>Importer</b> .....	<b>9</b>
<b>Disposal</b> .....	<b>9</b>
<b>Translation of the original Conformity Declaration</b> .....	<b>10</b>

## SABRE SAW PFS 710 D3

### Introduction

Congratulations on the purchase of your new appliance. You have chosen a high-quality product. The operating instructions are part of this product. They contain important information about safety, usage and disposal. Before using the product, please familiarise yourself with all operating and safety instructions. Use the product only as described and for the range of applications specified. Please also pass these operating instructions on to any future owner.

### Intended use

This appliance is designed for sawing, cutting to length and adapting wood, plastics and construction materials. The sabre saw is suitable for rough sawing work, straight and curved cuts and cuts off surfaces flush. Heed the information concerning saw blades and practical advice on sawing. Any other uses of or modifications to the machine are deemed to be improper usage and may result in serious physical injury. The manufacturer accepts no responsibility for damage(s) attributable to misuse. This appliance is not intended for commercial use.

### Features

- ➊ Stroke rate adjusting wheel
- ➋ Locking switch
- ➌ ON/OFF switch
- ➍ Handle
- ➎ Footplate
- ➏ Saw blade
- ➐ Quick-release chuck
- ➑ Work light
- ➒ Locking lever for footplate
- ➓ Cover for carbon brushes
- ➑ Release button
- ➒ Saw blade for wood
- ➓ Bimetal saw blade

### Package contents

- 1 sabre saw PFS 710 D3
- 1 saw blade for wood HCS 152 mm
- 1 bimetal saw blade 152 mm
- 1 set of operating instructions

### Technical data

Rated voltage:	230 V ~, 50 Hz (AC)
Rated power consumption:	710 W
Rated idle speed:	$n_0$ 0-2800 rpm
Stroke length:	20 mm
Max. cutting performance:	Wood 160 mm Aluminium 18 mm Metal 8 mm
Sawblade mounting:	$\frac{1}{2}$ " (12.7 mm)
Protection class:	II/□ (double insulation)

### Noise emission value:

Noise measurement value determined in accordance with EN 60745. The A-rated noise level of the power tool is typically as follows:

Sound pressure level:	$L_{PA} =$	88	dB(A)
Uncertainty:	$K =$	3	dB
Sound power level:	$L_{WA} =$	99	dB(A)
Uncertainty:	$K =$	3	dB

### Wear hearing protection!

Vibration values (vector total of three directions) determined in accordance with EN 60745:

### Total vibration value:

Cutting boards:  $a_{h,B} = 9.8 \text{ m/s}^2$

Uncertainty:  $K = 1.5 \text{ m/s}^2$

Cutting wooden beams:  $a_{h,WB} = 12.1 \text{ m/s}^2$

Uncertainty:  $K = 1.5 \text{ m/s}^2$

### NOTE

- The vibration level specified in these instructions has been measured in accordance with a standardised measuring procedure and can be used for equipment comparisons. The specified vibration emission value can also be used to make an initial exposure estimate.

**⚠ WARNING!**

- ▶ The vibration level will vary according to the use of the power tool and may sometimes be higher than the value specified in these instructions. Regular use of the power tool in this way may cause the user to underestimate the vibration. Try to keep the vibration loads as low as possible. Measures to reduce the vibration load are, e.g. wearing gloves and limiting the working time. Wherein all states of operation must be included (e.g. times when the power tool is switched off and times where the power tool is switched on but running without load).



**General Power Tool Safety Warnings**

**⚠ WARNING!**

- ▶ Read all safety warnings and all instructions. Failure to follow the warnings and instructions may result in electric shock, fire and/or serious injury.

**Save all warnings and instructions for future reference.**

The term "power tool" in the warnings refers to your mains-operated (corded) power tool or battery-operated (cordless) power tool.

**1. Work area safety**

- a) **Keep work area clean and well lit.** Cluttered or dark areas invite accidents.
- b) **Do not operate power tools in explosive atmospheres, such as in the presence of flammable liquids, gases or dust.** Power tools create sparks which may ignite the dust or fumes.
- c) **Keep children and bystanders away while operating a power tool.** Distractions can cause you to lose control.

**2. Electrical safety**

- a) **Power tool plugs must match the outlet.** Never modify the plug in any way. **Do not use any adapter plugs with earthed (grounded) power tools.** Unmodified plugs and matching outlets will reduce risk of electric shock.
- b) **Avoid body contact with earthed or grounded surfaces, such as pipes, radiators, ranges and refrigerators.** There is an increased risk of electric shock if your body is earthed or grounded.
- c) **Do not expose power tools to rain or wet conditions.** Water entering a power tool will increase the risk of electric shock.
- d) **Do not abuse the cord. Never use the cord for carrying, pulling or unplugging the power tool. Keep cord away from heat, oil, sharp edges or moving parts.** Damaged or entangled cords increase the risk of electric shock.
- e) **When operating a power tool outdoors, use an extension cord suitable for outdoor use.** Use of a cord suitable for outdoor use reduces the risk of electric shock.
- f) **If operating a power tool in a damp location is unavoidable, use a residual current device (RCD) protected supply.** Use of an RCD reduces the risk of electric shock.

**3. Personal safety**

- a) **Stay alert, watch what you are doing and use common sense when operating a power tool. Do not use a power tool while you are tired or under the influence of drugs, alcohol or medication.** A moment of inattention while operating power tools may result in serious personal injury.
- b) **Use personal protective equipment. Always wear eye protection.** Protective equipment such as dust mask, non-skid safety shoes, hard hat, or hearing protection used for appropriate conditions will reduce personal injuries.

- c) **Prevent unintentional starting.** Ensure the switch is in the off-position before connecting to power source and/or battery pack, picking up or carrying the tool. Carrying power tools with your finger on the switch or energising power tools that have the switch on invites accidents.
- d) **Remove any adjusting key or wrench before turning the power tool on.** A wrench or a key left attached to a rotating part of the power tool may result in personal injury.
- e) **Do not overreach. Keep proper footing and balance at all times.** This enables better control of the power tool in unexpected situations.
- f) **Dress properly. Do not wear loose clothing or jewellery. Keep your hair, clothing and gloves away from moving parts.** Loose clothes, jewellery or long hair can be caught in moving parts.
- g) **If devices are provided for the connection of dust extraction and collection facilities, ensure these are connected and properly used.** Use of dust collection can reduce dust-related hazards.
- d) **Store idle power tools out of the reach of children.** Do not allow persons unfamiliar with the power tool or these instructions to operate the power tool. Power tools are dangerous in the hands of untrained users.
- e) **Maintain power tools.** Check for misalignment or binding of moving parts, breakage of parts and any other condition that may affect the power tools operation. If damaged, have the power tool repaired before use. Many accidents are caused by poorly maintained power tools.
- f) **Keep cutting tools sharp and clean.** Properly maintained cutting tools with sharp cutting edges are less likely to bind and are easier to control.
- g) **Use the power tool, accessories and tool bits, etc. in accordance with these instructions, taking into account the working conditions and the work to be performed.** Use of the power tool for operations different from those intended could result in a hazardous situation.

#### **4. Power tool use and care**

- a) **Do not force the power tool. Use the correct power tool for your application.** The correct power tool will do the job better and safer at the rate for which it was designed.
- b) **Do not use the power tool if the switch does not turn it on and off.** Any power tool that cannot be controlled with the switch is dangerous and must be repaired.
- c) **Disconnect the plug from the power source and/or the battery pack from the power tool before making any adjustments, changing accessories or storing power tools.** Such preventive safety measures reduce the risk of starting the power tool accidentally.

#### **5. Service**

- a) **Have your power tool serviced by a qualified repair person using only identical replacement parts.** This will ensure that the safety of the power tool is maintained.

## Appliance-specific safety instructions for sabre saws

To avoid the risk of injury or fire as well as health risks:

- Hold the power tool by the insulated handles if carrying out work during which the power tool may come into contact with concealed power cables or its own power cable. Contact with a live wire may electrify exposed metal parts of the power tool and could give the operator an electric shock.
- Wear a dust mask!

## Original accessories/auxiliary equipment

- Use only the accessories and additional equipment that are specified in the operating instructions and are compatible with the appliance. Using attachments or accessory tools other than those recommended in the operating instructions can lead to a risk of injury.

## Information on saw blades

You can use any saw blade provided it is fitted with a suitable mount – 1/2" (12.7 mm) universal shaft. Saw blades optimised for your sabre saw are available from retail stores in different lengths for various purposes.

### NOTE

- ▶ TPI = teeth per inch = the number of teeth per 2.54 cm

### Wood saw blade 12:

Dimensions: 152 x 1.25 mm, 6 TPI  
 Ideal for: sawing construction wood, chipboard, panels and plywood, and also plunge cuts.

### Bimetal saw blade 13:

Dimensions: 152 mm, 18 TPI  
 Ideal for: for sawing sheet metal, profiles and pipes – flexible and break-resistant.

## Before use

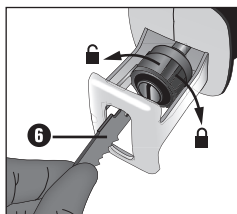
### Fitting/changing the saw blade

#### ⚠ WARNING!

- ▶ Always remove the plug from the power socket before working on the appliance. Otherwise, there is a risk of injury.
- ◆ Turn the quick-release chuck 7 as far as the stop and hold it in this position.
- ◆ Push the required saw blade 6 into the quick-release chuck 7 as far as the stop.

#### ⚠ CAUTION!

- ▶ The teeth of the saw blade 6 must point downwards!



- ◆ Let go of the quick-release chuck 7 so that it returns to its initial position. The saw blade 6 is now locked.

### Turning the appliance handle

#### ⚠ RISK OF INJURY!

- ▶ Always remove the plug from the power socket before working on the appliance. The handle 4 can be turned by 90° to the right or left. This allows the ON/OFF switch 3 to be moved to the most suitable position depending on the working conditions.
- ◆ Press the release button 11 and turn the handle 4 to the right or left.
- ◆ Allow the handle 4 to engage.

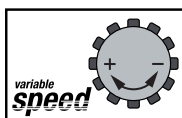


## Adjusting the footplate

### **⚠ RISK OF INJURY!**

- ▶ Always remove the plug from the power socket before working on the appliance.
- ◆ Adjust the footplate **5** according to the cutting depth.
- ◆ To do so, undo the locking lever **9** and move the footplate **5** to the corresponding position.
- ◆ Lock this position by closing the locking lever **9**.

## Stroke rate selection



Use the adjusting wheel **1** to select the desired stroke rate (- = lower stroke rate, + = increased stroke rate).

The stroke rate can also be changed during operation.

## Use

### Switching on and off

During operation, you can choose between instantaneous and continuous operation.

#### Switching to instantaneous operation:

- ◆ Press the ON/OFF switch **3**. The work light **8** lights up when the ON/OFF switch **3** is pushed in slightly or fully and illuminates the working area in low light conditions.

#### Switching off instantaneous operation:

- ◆ Release the ON/OFF switch **3**.

#### Switching to continuous operation:

- ◆ Press the ON/OFF switch **3** and lock it in this position with the locking switch **2**.

#### Switching off continuous operation:

- ◆ Press the ON/OFF switch **3** and release it again.

## Guiding the sabre blade safely

To adapt to the workpiece and for safe placement, the footplate **5** can be swivelled. It must always be in contact with the workpiece when the appliance is running.

## Practical advice on sawing

- ◆ Check the material to be worked to make sure that all foreign objects have been removed, e.g. nails, screws, etc..
- ◆ Ensure that the ventilation slits are not covered.
- ◆ Switch the appliance on before moving it towards the material to be worked.
- ◆ Switch the appliance off immediately if the saw blade jams.  
Open up the sawn gap using a suitable tool and pull out the sabre saw.
- Use the appropriate saw blade and stroke rate for the material to be worked.
- Saw blades optimised for your sabre saw are available from retail stores in different lengths for various purposes.
- Saw the material at a constant speed.

## Sawing flush to edges:

Using flexible saw blades with a suitable corresponding length, you can saw off protruding workpieces such as pipes flush to the wall.

Proceed as follows:

1. Place the saw blade directly against the wall.
2. Bend it by applying lateral pressure to the sabre saw so that the footplate **5** makes contact with the wall.
3. Switch the appliance on as described and saw off the work piece by applying constant pressure.

**Plunge sawing:****⚠ CAUTION! RISK OF KICKBACK!**

- Plunge cuts may only be made in soft materials (wood or similar).

Proceed as follows:

1. Place the sabre saw with the lower edge of the footplate **5** onto the workpiece. Switch the appliance on.
2. Tilt the sabre saw forwards and plunge the saw blade into the workpiece.
3. Position the sabre saw vertically and continue sawing along the cutting line.

**Maintenance and cleaning****WARNING! RISK OF INJURY!**

**Always switch the appliance off before carrying out any work on it.**

- Always remove the power plug from the power socket before cleaning the appliance.
- Replace the saw blade as soon as its teeth are blunt and proper sawing is therefore no longer possible.
- Keep the appliance and ventilation slits clean at all times. If the ventilation slits are blocked, there is a risk of overheating and/or the appliance being damaged.
- Always clean the appliance after completion of work.
- Never permit liquids to enter inside the appliance. Use a cloth to clean the housing. Never use petrol, solvents or cleansers which can damage plastic.
- If necessary, clean the saw blade mount with a brush or compressed air.

**Kompernass Handels GmbH  
warranty**

Dear Customer,

This appliance has a 3-year warranty valid from the date of purchase. If this product has any faults, you, the buyer, have certain statutory rights. Your statutory rights are not restricted in any way by the warranty described below.

**Warranty conditions**

The validity period of the warranty starts from the date of purchase. Please keep your original receipt in a safe place. This document will be required as proof of purchase.

If any material or production fault occurs within three years of the date of purchase of the product, we will either repair or replace the product for you at our discretion. This warranty service is dependent on you presenting the defective appliance and the proof of purchase (receipt) and a short written description of the fault and its time of occurrence.

If the defect is covered by the warranty, your product will either be repaired or replaced by us. The repair or replacement of a product does not signify the beginning of a new warranty period.

**Warranty period and statutory claims for defects**

The warranty period is not prolonged by repairs effected under the warranty. This also applies to replaced and repaired components. Any damage and defects present at the time of purchase must be reported immediately after unpacking. Repairs carried out after expiry of the warranty period shall be subject to a fee.

### Scope of the warranty

This appliance has been manufactured in accordance with strict quality guidelines and inspected meticulously prior to delivery.

The warranty covers material faults or production faults. The warranty does not extend to product parts subject to normal wear and tear or fragile parts such as switches, batteries, baking moulds or parts made of glass.

The warranty does not apply if the product has been damaged, improperly used or improperly maintained. The directions in the operating instructions for the product regarding proper use of the product are to be strictly followed. Uses and actions that are discouraged in the operating instructions or which are warned against must be avoided.

This product is intended solely for private use and not for commercial purposes. The warranty shall be deemed void in cases of misuse or improper handling, use of force and modifications/repairs which have not been carried out by one of our authorised Service centres.

### Warranty claim procedure

To ensure quick processing of your case, please observe the following instructions:

- Please have the till receipt and the item number (e.g. IAN 12345) available as proof of purchase.
- You will find the item number on the type plate, an engraving on the front page of the instructions (bottom left), or as a sticker on the rear or bottom of the appliance.
- If functional or other defects occur, please contact the service department listed either by **telephone** or by **e-mail**.
- You can return a defective product to us free of charge to the service address that will be provided to you. Ensure that you enclose the proof of purchase (till receipt) and information about what the defect is and when it occurred.

### NOTE

- ▶ For Parkside and Florabest tools, please send us only the defective item without the accessories (e.g. battery, storage case, assembly tools, etc.).



You can download these instructions along with many other manuals, product videos and software on [www.lidl-service.com](http://www.lidl-service.com).

### Service

#### WARNING!

- ▶ **Have the power tool repaired by the service centre or a qualified electrician and only using genuine replacement parts.** This will ensure that the safety of the appliance is maintained.
- ▶ **If the mains cable is damaged, it must be replaced with a special cable that is available from the manufacturer or its customer service.**

### NOTE

- ▶ Replacement parts not listed (such as carbon brushes, switch) can be ordered via our service hotline.

#### **Service Great Britain**

Tel.: 0800 404 7657  
E-Mail: [kompernass@lidl.co.uk](mailto:kompernass@lidl.co.uk)

#### **Service Ireland**

Tel.: 1890 930 034  
(0,08 EUR/Min., (peak))  
(0,06 EUR/Min., (off peak))  
E-Mail: [kompernass@lidl.ie](mailto:kompernass@lidl.ie)

IAN 310922

## Importer

Please note that the following address is not the service address. Please use the service address provided in the operating instructions.

KOMPERNASS HANDELS GMBH

BURGSTRASSE 21

DE-44867 BOCHUM

GERMANY

www.kompernass.com

## Disposal



The packaging is made from environmentally friendly material and can be disposed of at your local recycling plant.



**Do not dispose of power tools in your normal domestic waste!**

In accordance with European Directive 2012/19/EU on Waste Electrical and Electronic Equipment and its integration into national law, used power tools must be disposed of separately and recycled in an environmentally friendly manner. Take the appliance to a nearby collection facility.

Your local community or municipal authorities can provide information on how to dispose of the appliance.



Dispose of the packaging in an environmentally friendly manner. Note the labelling on the packaging and separate the packaging material components for disposal if necessary. The packaging material is labelled with abbreviations (a) and numbers (b) with the following meanings:

- 1-7: Plastics,
- 20-22: Paper and cardboard,
- 80-98: Composites



Your local community or municipal authorities can provide information on how to dispose of the worn-out product.

## Translation of the original Conformity Declaration

We, KOMPERNASS HANDELS GMBH, document officer: Mr. Semi Uguzlu, BURGSTR. 21, DE - 44867 BOCHUM, GERMANY, hereby declare that this product complies with the following standards, normative documents and EC directives:

**Machinery Directive  
(2006/42/EC)**

**EMC (Electromagnetic Compatibility)  
(2014/30/EU)**

**RoHS Directive  
(2011 / 65 / EU)\***

\*The manufacturer bears the full responsibility for compliance with this conformity declaration. The object of the declaration described above complies with the requirements of the Directive 2011/65/EU of the European Parliament and Council of 8 June 2011 on the limitations of use of certain dangerous substances in electrical and electronic appliances.

### Applied harmonised standards:

EN 60745-1:2009/A11:2010

EN 60745-2-11:2010

EN 55014-1:2017

EN 55014-2:2015

EN 61000-3-2:2014

EN 61000-3-3:2013

EN 50581:2012

**Type designation of machine:** Sabre saw PFS 710 D3

**Year of manufacture:** 10-2018

**Serial number:** IAN 310922

Bochum, 28.09.2018



Semi Uguzlu

- Quality Manager -

We reserve the right to make technical changes in the context of further product development.

# Inhaltsverzeichnis

<b>Einleitung</b> .....	<b>12</b>
Bestimmungsgemäßer Gebrauch .....	12
Ausstattung .....	12
Lieferumfang .....	12
Technische Daten .....	12
<b>Allgemeine Sicherheitshinweise für Elektrowerkzeuge</b> .....	<b>13</b>
1. Arbeitsplatz-Sicherheit .....	13
2. Elektrische Sicherheit .....	13
3. Sicherheit von Personen .....	14
4. Verwendung und Behandlung des Elektrowerkzeugs .....	14
5. Service .....	15
Gerätespezifische Sicherheitshinweise für Säbelsägen .....	15
Originalzubehör / -zusatzgeräte .....	15
Informationen zu Sägeblättern .....	15
<b>Vor der Inbetriebnahme</b> .....	<b>15</b>
Sägeblatt montieren / wechseln .....	15
Gerätegriff drehen .....	15
Fußplatte verstellen .....	16
Hubzahlvorwahl .....	16
<b>Inbetriebnahme</b> .....	<b>16</b>
Ein- und ausschalten .....	16
Säbelsäge sicher führen .....	16
Arbeitshinweise zum Sägen .....	16
<b>Wartung und Reinigung</b> .....	<b>17</b>
<b>Garantie der Kompernaß Handels GmbH</b> .....	<b>17</b>
<b>Service</b> .....	<b>19</b>
<b>Importeur</b> .....	<b>19</b>
<b>Entsorgung</b> .....	<b>19</b>
<b>Original-Konformitätserklärung</b> .....	<b>20</b>

# SÄBELSÄGE PFS 710 D3

## Einleitung

Wir beglückwünschen Sie zum Kauf Ihres neuen Gerätes. Sie haben sich damit für ein hochwertiges Produkt entschieden. Die Bedienungsanleitung ist Teil dieses Produkts. Sie enthält wichtige Hinweise für Sicherheit, Gebrauch und Entsorgung. Machen Sie sich vor der Benutzung des Produkts mit allen Bedien- und Sicherheitshinweisen vertraut. Benutzen Sie das Produkt nur wie beschrieben und für die angegebenen Einsatzbereiche. Händigen Sie alle Unterlagen bei Weitergabe des Produkts an Dritte mit aus.

## Bestimmungsgemäßer Gebrauch

Das Gerät ist mit festem Anschlag zum Sägen, Ablängen und Anpassen von Holz, Kunststoff und Baustoffen bestimmt. Die Säbelsäge eignet sich für grobe Sägearbeiten, gerade und kurvige Schnitte und trennt Flächen bündig ab. Beachten Sie die Informationen zu Sägeblättern und Arbeitshinweise zum Sägen. Jede andere Verwendung oder Veränderung der Maschine gilt als nicht bestimmungsgemäß und birgt erhebliche Unfallgefahren. Für aus bestimmungswidriger Verwendung entstandene Schäden übernimmt der Hersteller keine Haftung. Das Gerät ist nicht für den gewerblichen Einsatz bestimmt.

## Ausstattung

- 1 Stellrad Hubzahlvorwahl
- 2 Feststellschalter
- 3 EIN- / AUS-Schalter
- 4 Handgriff
- 5 Fußplatte
- 6 Sägeblatt
- 7 Schnellspannfutter
- 8 Arbeitsleuchte
- 9 Feststellhebel Fußplatte
- 10 Abdeckung Kohlebürsten
- 11 Entriegelungstaste
- 12 Sägeblatt für Holz
- 13 Bi-Metall Sägeblatt

## Lieferumfang

- 1 Säbelsäge PFS 710 D3
- 1 Sägeblatt Holz HCS 152 mm
- 1 Sägeblatt Bi-Metall 152 mm
- 1 Betriebsanleitung

## Technische Daten

Bemessungsspannung: 230 V ~, 50 Hz  
(Wechselstrom)

Bemessungsaufnahme: 710 W

Bemessungs-

Leerlaufdrehzahl:  $n_0$  0 - 2800 min<sup>-1</sup>

Hublänge: 20 mm

Max. Schnittleistung: Holz 160 mm  
Aluminium 18 mm  
Metall 8 mm

Sägeblattaufnahme: 1/2" (12,7 mm)

Schutzklasse: II/□ (Doppelisolierung)

## Geräuschemissionswert:

Messwert für Geräusch ermittelt entsprechend EN 60745. Der A-bewertete Geräuschpegel des Elektrowerkzeugs beträgt typischerweise:

Schalldruckpegel:  $L_{PA} = 88$  dB (A)

Unsicherheit:  $K = 3$  dB

Schallleistungspegel:  $L_{WA} = 99$  dB (A)

Unsicherheit:  $K = 3$  dB

## Gehörschutz tragen!

Schwingungswerte (Vektorsumme dreier Richtungen) ermittelt entsprechend EN 60745:

## Schwingungsgesamtwert:

Sägen von Spanplatte:  $a_{h,B} = 9,8$  m/s<sup>2</sup>

Unsicherheit:  $K = 1,5$  m/s<sup>2</sup>

Sägen von Holzbalken:  $a_{h,WB} = 12,1$  m/s<sup>2</sup>

Unsicherheit:  $K = 1,5$  m/s<sup>2</sup>

## HINWEIS

- Der in diesen Anweisungen angegebene Schwingungspegel ist entsprechend einem genormten Messverfahren gemessen worden und kann für den Gerätevergleich verwendet werden. Der angegebene Schwingungsemissionswert kann auch zu einer einleitenden Einschätzung der Aussetzung verwendet werden.

**⚠️ WARNUNG!**

- ▶ Der Schwingungspegel wird sich entsprechend dem Einsatz des Elektrowerkzeugs verändern und kann in manchen Fällen über dem in diesen Anweisungen angegebenen Wert liegen. Die Schwingungsbelastung könnte unterschätzt werden, wenn das Elektrowerkzeug regelmäßig in solcher Weise verwendet wird. Versuchen Sie, die Belastung durch Vibrationen so gering wie möglich zu halten. Beispielhafte Maßnahmen zur Verringerung der Vibrationsbelastung sind das Tragen von Handschuhen beim Gebrauch des Werkzeugs und die Begrenzung der Arbeitszeit. Dabei sind alle Anteile des Betriebszyklus zu berücksichtigen (beispielweise Zeiten, in denen das Elektrowerkzeug abgeschaltet ist, und solche, in denen es zwar eingeschaltet ist, aber ohne Belastung läuft).



**Allgemeine Sicherheitshinweise für Elektrowerkzeuge**

**⚠️ WARNUNG!**

- ▶ Lesen Sie alle Sicherheitshinweise und Anweisungen. Versäumnisse bei der Einhaltung der Sicherheitshinweise und Anweisungen können elektrischen Schlag, Brand und/oder schwere Verletzungen verursachen.

**Bewahren Sie alle Sicherheitshinweise und Anweisungen für die Zukunft auf.**

Der in den Sicherheitshinweisen verwendete Begriff „Elektrowerkzeug“ bezieht sich auf netzbetriebene Elektrowerkzeuge (mit Netzkabel) und auf akkubetriebene Elektrowerkzeuge (ohne Netzkabel).

**1. Arbeitsplatz-Sicherheit**

- a) Halten Sie Ihren Arbeitsbereich sauber und gut beleuchtet. Unordnung und unbeleuchtete Arbeitsbereiche können zu Unfällen führen.
- b) Arbeiten Sie mit dem Elektrowerkzeug nicht in explosionsgefährdeter Umgebung, in der sich brennbare Flüssigkeiten, Gase oder Stäube befinden. Elektrowerkzeuge erzeugen Funken, die den Staub oder die Dämpfe entzünden können.

- c) Halten Sie Kinder und andere Personen während der Benutzung des Elektrowerkzeugs fern. Bei Ablenkung können Sie die Kontrolle über das Gerät verlieren.

**2. Elektrische Sicherheit**

- a) Der Anschlussstecker des Elektrowerkzeugs muss in die Steckdose passen. Der Stecker darf in keiner Weise verändert werden. Verwenden Sie keine Adapterstecker gemeinsam mit schutzgeerdeten Elektrowerkzeugen. Unveränderte Stecker und passende Steckdosen verringern das Risiko eines elektrischen Schlages.
- b) Vermeiden Sie Körperkontakt mit geerdeten Oberflächen, wie von Rohren, Heizungen, Herden und Kühlschränken. Es besteht ein erhöhtes Risiko durch elektrischen Schlag, wenn Ihr Körper geerdet ist.
- c) Halten Sie Elektrowerkzeuge von Regen oder Nässe fern. Das Eindringen von Wasser in ein Elektrogerät erhöht das Risiko eines elektrischen Schlages.
- d) Zweckentfremden Sie das Kabel nicht, um das Elektrowerkzeug zu tragen, aufzuhängen oder um den Stecker aus der Steckdose zu ziehen. Halten Sie das Kabel fern von Hitze, Öl, scharfen Kanten oder sich bewegenden Geräteteilen. Beschädigte oder verwickelte Kabel erhöhen das Risiko eines elektrischen Schlages.
- e) Wenn Sie mit einem Elektrowerkzeug im Freien arbeiten, verwenden Sie nur Verlängerungskabel, die auch für den Außenbereich geeignet sind. Die Anwendung eines für den Außenbereich geeigneten Verlängerungskabels verringert das Risiko eines elektrischen Schlages.
- f) Wenn der Betrieb des Elektrowerkzeuges in feuchter Umgebung nicht vermeidbar ist, verwenden Sie einen Fehlerstromschutzschalter. Der Einsatz eines Fehlerstromschutzschalters vermindert das Risiko eines elektrischen Schlages.



### 3. Sicherheit von Personen

- a) Seien Sie stets aufmerksam, achten Sie darauf, was Sie tun und gehen Sie mit Vernunft an die Arbeit mit einem Elektrowerkzeug. Benutzen Sie kein Elektrowerkzeug, wenn Sie müde sind oder unter dem Einfluss von Drogen, Alkohol oder Medikamenten stehen. Ein Moment der Unachtsamkeit beim Gebrauch des Elektrowerkzeuges kann zu ernsthaften Verletzungen führen.
- b) Tragen Sie persönliche Schutzausrüstung und immer eine Schutzbrille. Das Tragen persönlicher Schutzausrüstung wie Staubmaske, rutschfeste Sicherheitsschuhe, Schutzhelm oder Gehörschutz, je nach Art und Einsatz des Elektrowerkzeuges, verringert das Risiko von Verletzungen.
- c) Vermeiden Sie eine unbeabsichtigte Inbetriebnahme. Vergewissern Sie sich, dass das Elektrowerkzeug ausgeschaltet ist, bevor Sie es an die Stromversorgung und / oder den Akku anschließen, es aufnehmen oder tragen. Wenn Sie beim Tragen des Elektrowerkzeuges den Finger am Schalter haben oder das Gerät bereits eingeschaltet an die Stromversorgung anschließen, kann dies zu Unfällen führen.
- d) Entfernen Sie Einstellwerkzeuge oder Schraubenschlüssel, bevor Sie das Elektrowerkzeug einschalten. Ein Werkzeug oder Schlüssel, der sich in einem drehenden Geräteteil befindet, kann zu Verletzungen führen.
- e) Vermeiden Sie eine abnormale Körperhaltung. Sorgen Sie für einen sicheren Stand und halten Sie jederzeit das Gleichgewicht. Dadurch können Sie das Elektrowerkzeug in unerwarteten Situationen besser kontrollieren.
- f) Tragen Sie geeignete Kleidung. Tragen Sie keine weite Kleidung oder Schmuck. Halten Sie Haare, Kleidung und Handschuhe fern von sich bewegenden Teilen. Lockere Kleidung, Schmuck oder lange Haare können von sich bewegenden Teilen erfasst werden.
- g) Wenn Staubabsaug- und -auffangeinrichtungen montiert werden können, vergewissern Sie sich, dass diese angeschlossen sind und richtig verwendet werden. Die Verwendung einer Staubabsaugung kann Gefährdungen durch Staub verringern.

### 4. Verwendung und Behandlung des Elektrowerkzeugs

- a) Überlasten Sie das Gerät nicht. Verwenden Sie für Ihre Arbeit das dafür bestimmte Elektrowerkzeug. Mit dem passenden Elektrowerkzeug arbeiten Sie besser und sicherer im angegebenen Leistungsbereich.
- b) Benutzen Sie kein Elektrowerkzeug, dessen Schalter defekt ist. Ein Elektrowerkzeug, das sich nicht mehr ein- oder ausschalten lässt, ist gefährlich und muss repariert werden.
- c) Ziehen Sie den Stecker aus der Steckdose und / oder entfernen Sie den Akku, bevor Sie Geräteeinstellungen vornehmen, Zubehörteile wechseln oder das Gerät weglegen. Diese Vorsichtsmaßnahme verhindert den unbeabsichtigten Start des Elektrowerkzeuges.
- d) Bewahren Sie unbenutzte Elektrowerkzeuge außerhalb der Reichweite von Kindern auf. Lassen Sie Personen das Gerät nicht benutzen, die mit diesem nicht vertraut sind oder diese Anweisungen nicht gelesen haben. Elektrowerkzeuge sind gefährlich, wenn sie von unerfahrenen Personen benutzt werden.
- e) Pflegen Sie Elektrowerkzeuge mit Sorgfalt. Kontrollieren Sie, ob bewegliche Teile einwandfrei funktionieren und nicht klemmen, ob Teile gebrochen oder so beschädigt sind, dass die Funktion des Elektrowerkzeuges beeinträchtigt ist. Lassen Sie beschädigte Teile vor dem Einsatz des Gerätes reparieren. Viele Unfälle haben ihre Ursache in schlecht gewarteten Elektrowerkzeugen.
- f) Halten Sie Schneidwerkzeuge scharf und sauber. Sorgfältig gepflegte Schneidwerkzeuge mit scharfen Schneidkanten verklemmen sich weniger und sind leichter zu führen.
- g) Verwenden Sie Elektrowerkzeug, Zubehör, Einsatzwerkzeuge usw. entsprechend diesen Anweisungen. Berücksichtigen Sie dabei die Arbeitsbedingungen und die auszuführende Tätigkeit. Der Gebrauch von Elektrowerkzeugen für andere als die vorgesehenen Anwendungen kann zu gefährlichen Situationen führen.

## 5. Service

- a) Lassen Sie Ihr Elektrowerkzeug nur von qualifiziertem Fachpersonal und nur mit Original-Ersatzteilen reparieren. Damit wird sichergestellt, dass die Sicherheit des Elektrowerkzeugs erhalten bleibt.

### Gerätespezifische Sicherheitshinweise für Säbelsägen

Um Verletzungs- und Brandgefahr sowie Gesundheitsgefährdungen zu vermeiden:

- Halten Sie das Elektrowerkzeug an den isolierten Griffflächen, wenn Sie Arbeiten ausführen, bei denen das Elektrowerkzeug verborgene Stromleitungen oder das eigene Netzkabel treffen kann. Der Kontakt mit einer spannungsführenden Leitung kann auch metallene Geräteteile unter Spannung setzen und zu einem elektrischen Schlag führen.
- Tragen Sie eine Staubschutzmaske!

### Originalzubehör / -zusatzgeräte

- Benutzen Sie nur Zubehör und Zusatzgeräte, die in der Bedienungsanleitung angegeben sind bzw. deren Aufnahme mit dem Gerät kompatibel ist. Der Gebrauch anderer als in der Bedienungsanleitung empfohlener Einsatzwerkzeuge oder anderen Zubehörs kann eine Verletzungsgefahr für Sie bedeuten.

### Informationen zu Sägeblättern

Sie können jedes Sägeblatt verwenden, vorausgesetzt, es ist mit der passenden Aufnahme - 1/2" (12,7 mm) Universalschaft versehen. Es sind für jeden Einsatzzweck Ihrer Säbelsäge optimierte Sägeblätter in verschiedenen Längen im Handel erhältlich.

#### HINWEIS

- ▶ TPI = teeth per inch = die Anzahl der Zähne je 2,54 cm

### Holz-sägeblatt 12:

Maße: 152 x 1,25 mm, 6 TPI

Beste Eignung: zum Sägen von Konstruktionsholz, Span-, Platten- und Sperrholz, auch für Tauchschnitte.

### Bi-Metallsägeblatt 16:

Maße: 152 mm, 18 TPI

Beste Eignung: zum Sägen von Blechen, Profilen und Rohren – flexibel und bruchresistent.

## Vor der Inbetriebnahme

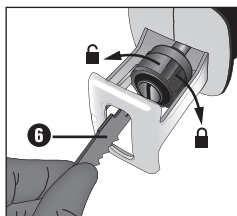
### Sägeblatt montieren / wechseln

#### ⚠ WARNUNG!

- ▶ Ziehen Sie vor allen Arbeiten am Gerät den Netzstecker aus der Steckdose. Andernfalls droht Verletzungsgefahr.
- ◆ Drehen Sie das Schnellspannfutter 7 bis zum Anschlag und halten Sie es in dieser Position.
- ◆ Drücken Sie das benötigte Sägeblatt 6 bis zum Anschlag in das Schnellspannfutter 7.

#### ⚠ ACHTUNG!

- ▶ Die Zähne des Sägeblatts 6 müssen dabei nach unten zeigen!



- ◆ Lassen Sie das Schnellspannfutter 7 los, es muss in seine Ausgangsposition zurückkehren. Das Sägeblatt 6 ist nun verriegelt.

### Gerätegriff drehen

#### ⚠ VERLETZUNGSGEFAHR!

- ▶ Ziehen Sie vor allen Arbeiten am Gerät den Netzstecker aus der Steckdose. Der Handgriff 4 lässt sich um 90° nach rechts oder nach links drehen. Dadurch kann der EIN- / AUS-Schalter 3 je nach Arbeitsbedingung in eine günstigere Position gebracht werden.
- ◆ Drücken Sie die Entriegelungstaste 1 und drehen Sie den Handgriff 4 nach rechts oder links.
- ◆ Lassen Sie den Handgriff 4 einrasten.

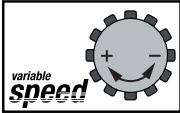
## Fußplatte verstellen

### **⚠ VERLETZUNGSGEFAHR!**

► Ziehen Sie vor allen Arbeiten am Gerät den Netzstecker aus der Steckdose.

- ◆ Verstellen Sie je nach Schnitttiefe die Fußplatte **5**.
- ◆ Lösen Sie dafür den Feststellhebel **9** und bringen Sie die Fußplatte **5** in die entsprechende Position.
- ◆ Verriegeln Sie diese Position indem Sie den Feststellhebel **9** festziehen.

## Hubzahlvorwahl



Mit dem Stellrad **1** können Sie die gewünschte Hubzahl vorwählen (- = geringere Hubzahl, + = größere Hubzahl).

Die Hubzahl kann auch während des Betriebs verändert werden.

## Inbetriebnahme

### Ein- und ausschalten

Sie können beim Betrieb zwischen Moment- und Dauerbetrieb auswählen.

#### Momentbetrieb einschalten:

- ◆ Drücken Sie den EIN- / AUS-Schalter **3**. Die Arbeitsleuchte **8** leuchtet bei leicht oder vollständig gedrücktem EIN-/AUS-Schalter **3** und ermöglicht so das Ausleuchten des Arbeitsbereiches bei ungünstigen Lichtverhältnissen.

#### Momentbetrieb ausschalten:

- ◆ Lassen Sie den EIN- / AUS-Schalter **3** los.

#### Dauerbetrieb einschalten:

- ◆ Drücken Sie den EIN- / AUS-Schalter **3** und stellen Sie ihn im gedrückten Zustand mit dem Feststellschalter **2** fest.

#### Dauerbetrieb ausschalten:

- ◆ Drücken Sie den EIN- / AUS-Schalter **3** und lassen Sie ihn wieder los.

## Säbelsäge sicher führen

Zur Anpassung an das Werkstück und zur sicheren Auflage ist die Fußplatte **5** schwenkbar. Sie muss immer am Werkstück anliegen, wenn das Gerät in Betrieb ist.

## Arbeitshinweise zum Sägen

- ◆ Prüfen Sie das zu bearbeitende Material auf Fremdkörper wie Nägel, Schrauben etc. und entfernen Sie diese.
- ◆ Achten Sie darauf, dass die Lüftungsschlitze nicht verdeckt werden.
- ◆ Gerät einschalten und erst dann an das zu bearbeitende Material herantreten.
- ◆ Schalten Sie das Gerät sofort aus, wenn das Sägeblatt verklemmt. Spreizen Sie den bereits gesägten Spalt mit einem geeigneten Werkzeug und ziehen Sie die Säbelsäge heraus.
- Passen Sie Sägeblatt und Hubzahl dem zu bearbeitenden Material an.
- Es sind für jeden Einsatzzweck Ihrer Säbelsäge optimierte Sägeblätter in verschiedenen Längen im Handel erhältlich.
- Sägen Sie das Material mit gleichmäßigem Vorschub.

## Bündig sägen:

Mit flexiblen Sägeblättern, entsprechende Länge vorausgesetzt, können Sie hervorstehende Werkstücke wie z.B. Rohre unmittelbar an der Wand absägen.

Gehen Sie wie folgt vor:

1. Legen Sie das Sägeblatt direkt an der Wand an.
2. Biegen Sie es durch seitlichen Druck auf die Säbelsäge so, dass die Fußplatte **5** an der Wand anliegt.
3. Schalten Sie das Gerät wie beschrieben ein und sägen Sie das Werkstück mit konstantem Druck ab.

## Tauchsägen:

### **VORSICHT! RÜCKSCHLAGGEFAHR!**

- Tauchsnitte dürfen nur in weichen Werkstoffen (Holz o.ä.) durchgeführt werden.

Gehen Sie wie folgt vor:

1. Setzen Sie die Säbelsäge mit der Unterkante der Fußplatte auf das Werkstück auf. Schalten Sie das Gerät ein.
2. Kippen Sie die Säbelsäge nach vorn und tauchen mit dem Sägeblatt in das Werkstück ein.
3. Stellen Sie die Säbelsäge senkrecht und sägen Sie weiter entlang der Schnittlinie.

## Wartung und Reinigung



### **WARNUNG! VERLETZUNGSGEFAHR!** Schalten Sie vor allen Arbeiten am Gerät das Gerät aus.

- Ziehen Sie vor allen Reinigungsarbeiten den Netzstecker aus der Steckdose.
- Wechseln Sie das Sägeblatt aus, sobald dessen Zahnung stumpf ist und damit keine einwandfreie Sägearbeit mehr durchführbar ist.
- Halten Sie das Gerät und die Lüftungsschlitze stets sauber. Bei verstopften Lüftungsschlitzen droht eine Überhitzung und / oder eine Beschädigung des Gerätes.
- Reinigen Sie das Gerät nach Abschluss der Arbeit.
- Es dürfen keine Flüssigkeiten in das Innere des Gerätes gelangen. Verwenden Sie zum Reinigen des Gehäuses ein Tuch. Verwenden Sie niemals Benzin, Lösungsmittel oder Reiniger, die Kunststoff angreifen.
- Reinigen Sie die Sägeblattaufnahme ggf. mit einem Pinsel oder durch Ausblasen mit Druckluft.

## Garantie der Kompersnaß Handels GmbH

Sehr geehrte Kundin, sehr geehrter Kunde,

Sie erhalten auf dieses Gerät 3 Jahre Garantie ab Kaufdatum. Im Falle von Mängeln dieses Produkts stehen Ihnen gegen den Verkäufer des Produkts gesetzliche Rechte zu. Diese gesetzlichen Rechte werden durch unsere im Folgenden dargestellte Garantie nicht eingeschränkt.

### Garantiebedingungen

Die Garantiefrist beginnt mit dem Kaufdatum. Bitte bewahren Sie den Original-Kassenbon gut auf. Diese Unterlage wird als Nachweis für den Kauf benötigt.

Tritt innerhalb von drei Jahren ab dem Kaufdatum dieses Produkts ein Material- oder Fabrikationsfehler auf, wird das Produkt von uns – nach unserer Wahl – für Sie kostenlos repariert oder ersetzt.

Diese Garantieleistung setzt voraus, dass innerhalb der Drei-Jahres-Frist das defekte Gerät und der Kaufbeleg (Kassenbon) vorgelegt und schriftlich kurz beschrieben wird, worin der Mangel besteht und wann er aufgetreten ist.

Wenn der Defekt von unserer Garantie gedeckt ist, erhalten Sie das reparierte oder ein neues Produkt zurück. Mit Reparatur oder Austausch des Produkts beginnt kein neuer Garantiezeitraum.

### Garantiezeit und gesetzliche Mängelansprüche

Die Garantiezeit wird durch die Gewährleistung nicht verlängert. Dies gilt auch für ersetzte und reparierte Teile. Eventuell schon beim Kauf vorhandene Schäden und Mängel müssen sofort nach dem Auspacken gemeldet werden. Nach Ablauf der Garantiezeit anfallende Reparaturen sind kostenpflichtig.

## Garantieumfang

Das Gerät wurde nach strengen Qualitätsrichtlinien sorgfältig produziert und vor Auslieferung gewissenhaft geprüft.

Die Garantieleistung gilt für Material- oder Fabrikationsfehler. Diese Garantie erstreckt sich nicht auf Produktteile, die normaler Abnutzung ausgesetzt sind und daher als Verschleißteile angesehen werden können oder für Beschädigungen an zerbrechlichen Teilen, z. B. Schalter, Akkus, Backformen oder Teile die aus Glas gefertigt sind.

Diese Garantie verfällt, wenn das Produkt beschädigt, nicht sachgemäß benutzt oder gewartet wurde. Für eine sachgemäße Benutzung des Produkts sind alle in der Bedienungsanleitung aufgeführten Anweisungen genau einzuhalten. Verwendungszwecke und Handlungen, von denen in der Bedienungsanleitung abgeraten oder vor denen gewarnt wird, sind unbedingt zu vermeiden.

Das Produkt ist nur für den privaten und nicht für den gewerblichen Gebrauch bestimmt. Bei missbräuchlicher und unsachgemäßer Behandlung, Gewaltanwendung und bei Eingriffen, die nicht von unserer autorisierten Service-Niederlassung vorgenommen wurden, erlischt die Garantie.

## Abwicklung im Garantiefall

Um eine schnelle Bearbeitung ihres Anliegens zu gewährleisten, folgen Sie bitte den folgenden Hinweisen:

- Bitte halten Sie für alle Anfragen den Kassensbon und die Artikelnummer (z. B. IAN 12345) als Nachweis für den Kauf bereit.
- Die Artikelnummer entnehmen Sie bitte dem Typenschild, einer Gravur, auf dem Titelblatt ihrer Anleitung (unten links) oder als Aufkleber auf der Rück- oder Unterseite.
- Sollten Funktionsfehler oder sonstige Mängel auftreten, kontaktieren Sie zunächst die nachfolgend benannte Serviceabteilung **telefonisch** oder per **E-Mail**.
- Ein als defekt erfasstes Produkt können Sie dann unter Beifügung des Kaufbelegs (Kassensbon) und der Angabe, worin der Mangel besteht und wann er aufgetreten ist, für Sie portofrei an die Ihnen mitgeteilte Service-Anschrift übersenden.

### HINWEIS

- ▶ Bei Parkside und Florabest Werkzeugen senden Sie bitte ausschließlich den defekten Artikel ohne Zubehör (z. B. Akku, Aufbewahrungskoffer, Montagewerkzeuge, etc) ein.



Auf [www.lidl-service.com](http://www.lidl-service.com) können Sie diese und viele weitere Handbücher, Produktvideos und Software herunterladen.

## Service

### **⚠️ WARNUNG!**

- ▶ Lassen Sie Ihre Geräte von der Servicestelle oder einer Elektrofachkraft und nur mit Original-Ersatzteilen reparieren. Damit wird sichergestellt, dass die Sicherheit des Gerätes erhalten bleibt.
- ▶ Wenn die Netzanschlussleitung dieses Gerätes beschädigt wird, muss sie durch eine besondere Anschlussleitung ersetzt werden, die vom Hersteller oder seinem Kundendienst erhältlich ist.

### **HINWEIS**

- ▶ Nicht aufgeführte Ersatzteile (wie z.B. Kohlebürsten, Schalter) können Sie über unsere Callcenter bestellen.

#### **DE Service Deutschland**

Tel.: 0800 5435 111  
E-Mail: kompernass@lidl.de

#### **AT Service Österreich**

Tel.: 0820 201 222 (0,15 EUR/Min.)  
E-Mail: kompernass@lidl.at

#### **CH Service Schweiz**

Tel.: 0842 665566 (0,08 CHF/Min.,  
Mobilfunk max. 0,40 CHF/Min.)  
E-Mail: kompernass@lidl.ch

IAN 310922

## Importeur

Bitte beachten Sie, dass die folgende Anschrift keine Serviceanschrift ist. Kontaktieren Sie zunächst die benannte Servicestelle.

KOMPERNASS HANDELS GMBH

BURGSTRASSE 21

DE - 44867 BOCHUM

GERMANY

www.kompernass.com

## Entsorgung



Die Verpackung besteht aus umweltfreundlichen Materialien, die Sie über die örtlichen Recyclingstellen entsorgen können.



**Werfen Sie Elektrowerkzeuge nicht in den Hausmüll!**

Gemäß Europäischer Richtlinie 2012/19/EU über Elektro- und Elektronik-Altgeräte und Umsetzung in nationales Recht müssen verbrauchte Elektrowerkzeuge getrennt gesammelt und einer umweltgerechten Wiederverwertung zugeführt werden. Geben Sie das Gerät über die angebotenen Sammeleinrichtungen zurück.

Möglichkeiten zur Entsorgung des ausgedienten Gerätes erfahren Sie bei Ihrer Gemeinde- oder Stadtverwaltung.



Entsorgen Sie die Verpackung umweltgerecht.

Beachten Sie die Kennzeichnung auf den verschiedenen Verpackungsmaterialien und trennen Sie diese gegebenenfalls gesondert. Die Verpackungsmaterialien sind gekennzeichnet mit Abkürzungen (a) und Ziffern (b) mit folgender Bedeutung:

1-7: Kunststoffe,  
20-22: Papier und Pappe,  
80-98: Verbundstoffe



Möglichkeiten zur Entsorgung des ausgedienten Produkts erfahren Sie bei Ihrer Gemeinde- oder Stadtverwaltung.

## Original-Konformitätserklärung

Wir, KOMPERNASS HANDELS GMBH, Dokumentenverantwortlicher: Herr Semi Uguzlu, BURGSTR. 21, DE - 44867 BOCHUM, DEUTSCHLAND, erklären hiermit, dass dieses Produkt mit den folgenden Normen, normativen Dokumenten und EG-Richtlinien übereinstimmt:

**Maschinenrichtlinie  
(2006 / 42 / EG)**

**Elektromagnetische Verträglichkeit  
(2014 / 30 / EU)**

**RoHS Richtlinie  
(2011 / 65 / EU)\***

\*Die alleinige Verantwortung für die Ausstellung dieser Konformitätserklärung trägt der Hersteller. Der oben beschriebene Gegenstand der Erklärung erfüllt die Vorschriften der Richtlinie 2011/65/EU des Europäischen Parlaments und des Rates vom 8. Juni 2011 zur Beschränkung der Verwendung bestimmter gefährlicher Stoffe in Elektro- und Elektronikgeräten.

### Angewandte harmonisierte Normen:

EN 60745-1:2009/A11:2010

EN 60745-2-11:2010

EN 55014-1:2017

EN 55014-2:2015

EN 61000-3-2:2014

EN 61000-3-3:2013

EN 50581:2012

**Typbezeichnung der Maschine:** Säbelsäge PFS 710 D3

**Herstellungsjahr:** 10-2018

**Seriennummer:** IAN 310922

Bochum, 28.09.2018



Semi Uguzlu

- Qualitätsmanager -

Technische Änderungen im Sinne der Weiterentwicklung sind vorbehalten.

**KOMPERNASS HANDELS GMBH**

BURGSTRASSE 21

DE-44867 BOCHUM

GERMANY

[www.kompernass.com](http://www.kompernass.com)

Last Information Update · Stand der Informationen:

09/2018 Ident.-No.: PFS710D3-092018-1

IAN 310922