

SILVERCREST®



www.lidl-service.com



NAIL STUDIO SET SNS 45 B4

GB IE NI CY

NAIL STUDIO SET

Operating instructions

DE AT CH

NAGELSTUDIO-SET

Bedienungsanleitung

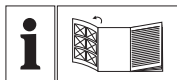
GR CY

ΣΕΤ ΠΕΡΙΠΟΙΗΣΗΣ ΝΥΧΙΩΝ

Οδηγίες χρήσης

IAN 290465

GB IE NI
CY



GB IE NI CY

Before reading, unfold the page containing the illustrations and familiarise yourself with all functions of the device.

GR CY

Πριν ξεκινήσετε την ανάγνωση, ανοίξτε τις δυο σελίδες με τις εικόνες και εξοικειωθείτε με όλες τις λειτουργίες της συσκευής.

DE AT CH

Klappen Sie vor dem Lesen die Seite mit den Abbildungen aus und machen Sie sich anschließend mit allen Funktionen des Gerätes vertraut.

GB/IE/NI/CY	Operating instructions	Page	1
GR/CY	Οδηγίες χρήσης	Σελίδα	35
DE/AT/CH	Bedienungsanleitung	Seite	69

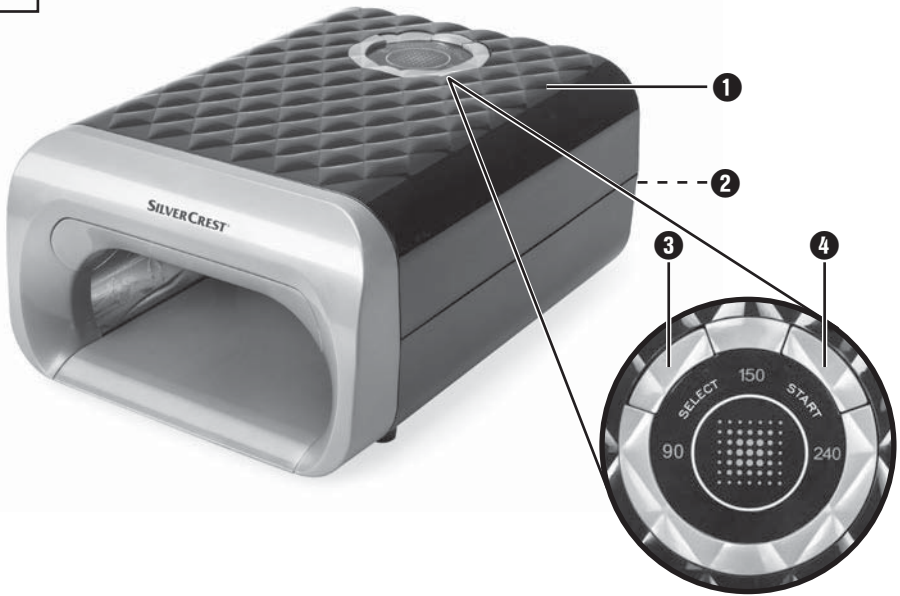
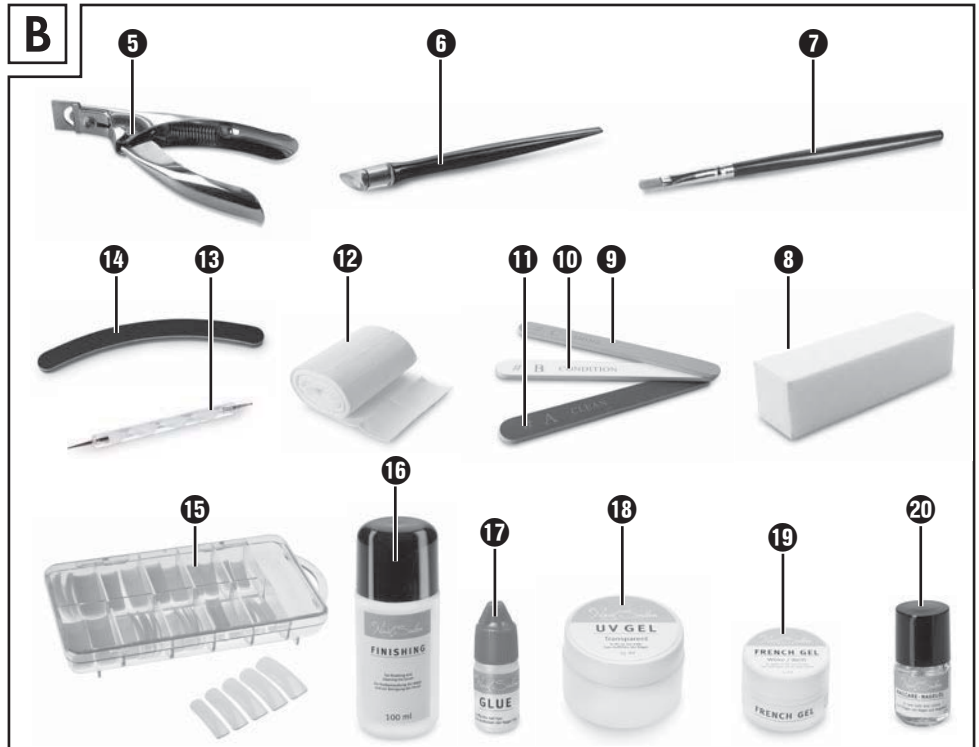
A**B**

Table of Contents

Introduction2

Copyright	2
Limitation of Liability	2
Intended Use	2
Warning Notices	3

Safety instructions4

Appliance and Accessories. . . 11

Setting up and connecting to the power supply.12

Safety instructions.	12
Items supplied and initial inspection ..	12
Unpacking	13
Disposal of packaging	13
Requirements for the installation location.	13
Electrical connection.	14

Handling and operation ...15

Switching On and Off	15
Functions.	15

Utilisation16

Selecting artificial nails.	16
Attaching artificial nails	17
Matching a nail set.	20
Application of the UV-Gel	20

Hardening of the UV-Gel	21
Topping up	23
French nails.	24
Removal of artificial nails	24
Care	25

Cleaning25

Safety instructions.	25
Cleaning the appliance	25
Cleaning accessories	26

Exchanging the UV Lamps. . . 26

Troubleshooting28

Safety instructions.	28
Malfunction causes and remedies. . .	29

Storage/Disposal30

Storage.	30
Disposing of the appliance.	30

Appendix30

Notes on the EC Declaration of Conformity	30
Technical data	31
Kompernass Handels GmbH warranty.	32
Service	33
Importer	33

Introduction

Congratulations on the purchase of your new appliance.

You have clearly decided in favour of a quality product. These operating instructions are a part of this product. They contain important information in regard to safety, use and disposal. Before using the product, familiarise yourself with all of these operating and safety instructions. Use the product only as described and only for the specified areas of application. In addition, pass these documents on, together with the product, to any future owner.

Copyright

This documentation is copyright protected.

Any copying or reproduction, including as extracts, as well as the reproduction of images, also in an altered state, is only permitted with the written authorisation of the manufacturer.

Limitation of Liability

All technical information, data and information for connection and operation, contained in these operating instructions correspond to the latest at the time of printing and, to the best of our knowledge, take into account our previous experience and know-how. No claims can be derived from the details, illustrations and descriptions in these instructions. The manufacturer assumes no responsibility for damage caused by failure to observe the instructions, improper use, inappropriate repairs, making unauthorized changes or for using unapproved replacement parts.

Intended Use

This appliance is intended only for the application and fixating of artificial finger nails for manicure purposes in indoor areas and is only for domestic use. This appliance is not intended for any other use or for uses beyond those mentioned here.

WARNING

Risks from unintended use!

Risks can be engendered by the appliance if it is used for unintended purposes and/or other types of use.

- ▶ Use the appliance exclusively for intended purposes.
- ▶ Observe the procedures described in these operating instructions.

Claims of any kind resulting from damage caused by improper use, incompetent repairs, unauthorized modifications or the use of non-approved spare parts will not be acknowledged.

The operator alone bears liability.

Warning Notices

In the existing operation instructions the following warnings are used:

DANGER

A warning at this risk level indicates a threateningly dangerous situation.

If the dangerous situation is not avoided it could lead to death or serious physical injuries.

- ▶ Observe the directives in this warning notice to avoid the risk of deaths or serious physical injuries.

WARNING

A warning at this risk level indicates a possibly dangerous situation.

If the dangerous situation is not avoided, this could lead to personal injury.

- ▶ Follow the instructions in this warning to avoid personal injuries.

IMPORTANT

A warning at this risk level signifies possible property damage.

If the situation is not avoided it can lead to property damage.

- ▶ The directives in this warning are there to avoid property damage.

NOTICE

- ▶ A notice signifies additional information that assists in the handling of the appliance.

Safety instructions

This appliance complies with the statutory safety regulations. Incorrect usage can, however, lead to personal and property damage.

- A repair to the appliance during the warranty period may only be carried out by a customer service firm authorised by the manufacturer, otherwise no additional warranty claims can be considered for subsequent damages.

DANGER

Potentially fatal risk of electrical shocks!

Upon contact with live wires or live components there is a potentially fatal risk!

Pay heed to the following safety information to avoid a potentially fatal risk from electrical power:

- ▶ To avoid potential risks, if the appliance power cable is damaged, it must be replaced by the manufacturer, its Customer Service or by a qualified technician.
- ▶ Do not instal the appliance in the bathroom.
- ▶ Connect the appliance exclusively to a correctly fused mains power socket.
- ▶ Do not touch the appliance and the plug with wet hands.
- ▶ NEVER place the appliance in water.
- ▶ Do NOT open the housing of the appliance (except when changing the UV lamps). If live connections are touched and/or the electrical or mechanical construction is altered, there will be an increased risk of electric shock.

WARNING

Risk of injury from ultraviolet light (UV-Light)!

Looking directly into the UV light from the UV lamps in this appliance can cause eye injuries and diminish the power of your vision!

- ▶ NEVER look directly into the ultraviolet light from the UV lamps.
- ▶ If the UV lamps are not in use, switch them off.
- ▶ Non-users, and especially children, may not be present during the operation of the appliance.

⚠ WARNING - RISK OF INJURY

- ▶ Before use check the appliance for visible external damage. Do not put into operation an appliance that is damaged or has been dropped.
- ▶ Children should be supervised to ensure that they do not play with the appliance.
- ▶ Never look directly into the UV lamps. It could cause injury to the eyes!
- ▶ Always keep the appliance and all accessories out of the reach of children.
- ▶ Pay heed to the instructions given on the containers of all substances used.
- ▶ Repairs should only be carried out by authorised specialist companies or by the Customer Service Department. Incorrect repairs can result in significant risks for the user. In addition, warranty claims become void.
- ▶ Defective components may only be replaced with original replacement parts. Only by using these replacement parts can it be guaranteed that they comply with the safety requirements.

WARNING

Risks of damage to health from solvent-containing substances and vapours!

The inhalation of solvent-containing substances and vapours can damage your health!

- ▶ Do not breathe in the vapours from solvent-containing substances (e.g. acetone).
- ▶ Ensure there is adequate ventilation when interacting with solvent-containing substances.
- ▶ Pay heed to the instructions on the containers of the solvent-containing substances.

WARNING

Risks of health damage from chemical substances!

The improper handling of chemical substances can lead to serious health damage!

- ▶ If swallowed, **IMMEDIATELY** seek medical attention!
- ▶ In cases of allergic reactions, consult a doctor immediately!
- ▶ In the event of contact with the eyes or mucous membranes, contact a doctor immediately!

⚠ INFORMATION ON HANDLING CHEMICAL SUBSTANCES

The chemical substances supplied with this product include the nail glue, the finishing solution, the UV gel and the French gel.

- ▶ Open the pots and jars containing the chemical substances carefully.
- ▶ Handle the chemical substances cautiously and with care.
- ▶ The chemical substances are irritating to the eyes and skin.
- ▶ The chemical substances can cause skin irritations (sensitisation of the skin).
- ▶ Ensure that there is sufficient ventilation when you are working with the chemical substances. If there is insufficient ventilation, wear breathing apparatus.
- ▶ Never use the UV gel or the French gel on damaged or unhealthy nails, or for repairing damaged nails.
- ▶ Keep the chemical substances out of the reach of children!

ATTENTION - PROPERTY DAMAGE

- ▶ Protect the appliance from moisture and the penetration of liquids. NEVER immerse the appliance in water or place the appliance in the close vicinity of water and DO NOT place objects filled with liquids (e.g. vases) onto the appliance.
- ▶ Do not place any objects on the appliance.
- ▶ Do not operate the appliance close to open flames (e.g. candles).
- ▶ Avoid direct solar radiation.
- ▶ Always pull the plug itself out of the mains power socket, do not pull it with the power cable.
- ▶ In the case of a malfunction occurring or a thunderstorm, disconnect the plug from the mains power socket.

⚠ WARNING - RISK OF INJURY!

UV appliances may not be used by:

- ▶ People who suffer from skin cancer or are predisposed to it,
- ▶ People, who are taking light-sensitivity enhancing drugs,
- ▶ People under 18 years of age,
- ▶ People with a tendency towards freckles,
- ▶ People with a naturally red hair colour,
- ▶ People with unusual skin discolourations,
- ▶ People with more than 16 moles (with a minimum diameter of 2 mm) on their body,
- ▶ People with atypical moles (atypical moles are asymmetrical moles with a diameter of more than 5 mm and different pigmentation plus irregular border areas; if in doubt, consult your doctor),
- ▶ People who are suffering from sunburn,
- ▶ People who do not tan in the sun without skin burns,
- ▶ People who quickly suffer from skin burns in direct sunlight,
- ▶ People who have frequently suffered from a severe sunburn during their childhood,
- ▶ People who suffer from skin cancer or are suffering from this disease or are susceptible to skin cancer,
- ▶ People with a first-degree relative who is suffering or has already suffered from a melanoma (skin cancer),
- ▶ People who, due to a light sensitivity ailment, are in physicianly or medical treatment,
- ▶ People who absolutely cannot tan at all, or who cannot tan without getting sunburned, when they are exposed to the sun,
- ▶ People who are easily sunburned when they are exposed to the sun,
- ▶ during pregnancy.

- The irradiation should not exceed the minimal erythema dose (MED). If erythema (skin redness) occurs several hours after irradiation there should be no further applications made. In this case, the next irradiation should not take place before one week after the date of the skin redness.
- If unexpected side effects such as itching occur within 48 hours after the first application of the UV appliance, you should consult a doctor before receiving further UV irradiation.
- Recommended exposure timetable:
 - Do not carry out more than 5 treatments per day. This could lead to skin irritation.
 - Do not exceed the recommended number of 400 treatments per year.
- The appliance may not be used if the timer is not working properly.
- Use only lamps of the specified type. The use of a UV lamp from another manufacturer or of a different type will lead to the revocation of the warranty.
- UV radiation from the sun or from UV appliances can cause both skin and eye damage, which may be irreversible. These biological effects depend on the quality and quantity of the radiation and on the skin and eye sensitivity of the individual person.
- The skin can suffer from sunburn after excessive exposure to radiation. Too frequent UV radiation from the sun or UV appliances can lead to premature skin aging and cause an increased risk of skin cancer. This risk increases with increasingly cumulative UV exposures. UV radiation at a young age increases the subsequent risk of skin cancer.
- UV radiation can lead to injuries to the eyes and skin, such as premature skin aging and even skin cancer. Read these operating instructions carefully. Some medications or cosmetics increase the sensitivity to UV radiation.

- The unprotected eye can suffer superficial inflammation and, in some cases, excessive exposure may cause damage to the retina. Frequently repeated exposures can lead to cataracts.
- In the event of individually identified sensitivity or allergic reactions to UV radiation, you should first seek medical advice before beginning the irradiation.
- Certain ailments or the side effects of certain drugs may be exacerbated by UV irradiation. If in doubt, consult your doctor.
- There should be a period of at least 48 hours between the first two exposures.
- Avoid sunbathing and use of the appliance on the same day. This could lead to skin irritation.
- Pay heed to the instructions on the irradiation time, time intervals for the irradiation and the distance to be from the lamp. If you do not, it could lead to skin irritation.
- Consult your doctor if persistent tumours or ulcers form, or changes in moles come about or sores develop.
- Protect sensitive skin areas, such as scars, tattoos and the genitals, from irradiation.
- Do not carry out more than 5 treatments per day. This could lead to skin irritation.
- Do not exceed the recommended number of 400 treatments per year.
- Remove cosmetics and sun care products before using the appliance. If you do not, it could lead to skin irritation.

NOTICE

- If in any doubt, consult your doctor about the possible applications before using the appliance.

Appliance and Accessories

NOTICE

► See in addition the illustrations on the fold-out side.

Figure A:

- ❶ UV appliance with 4 built-in UV lamps
- ❷ ON/OFF switch
- ❸ Time selector button (SELECT)
- ❹ Start button

Figure B:

- ❺ Nail clippers (for clipping the nail-tips)
- ❻ Cuticle pusher (to push back the cuticle)
- ❼ Brush (for applying the UV Gel)
- ❽ Sanding block (for smoothing of unevenness)
- ❾ Fine polishing file (for polishing the nails "shine")
- ❿ Medium polishing file (for polishing the nails "condition")
- ⓫ Coarse polishing file (for polishing the nails "clean")
- ⓬ Cellulose pads (for applying the finishing solution or for correction)
- ⓭ Spot swirl (for applying French gel or decorative elements)
- ⓮ Sandpaper file (for filing nails)
- ⓯ Nail tips (artificial fingernails)
- ⓰ Finishing solution (for final treatment and for cleaning brushes)
- ⓱ Nail glue (to glue the "GLUE" nail tips on)
- ⓲ UV gel (for topping up nails)
- ⓳ French gel (for modelling "French nails")
- ⓴ Nail oil (for conditioning the cuticle "Nail Care")

Setting up and connecting to the power supply

Safety instructions

WARNING

During the commissioning of the appliance personal injury and property damage could occur!

Observe the following safety information to avoid these risks:

- ▶ Packaging material should not be used as a play thing. There is a risk of suffocation.
- ▶ To avoid damage to people and property, pay heed to the requirements for the installation site and the electrical connection of the appliance.

Items supplied and initial inspection

The appliance is supplied with the following components as standard:

- UV appliance with 4 UV lamps and mains power cable
- Sand sheet file
- Polishing files (coarse, medium, fine)
- Sanding block
- Nail Tips
- Cuticle pusher
- Brush
- Spot swirl
- Nail clippers
- 1 pot French gel ("French gel")
- 2 pots of UV gel ("UV Gel")
- Finishing solution ("Finishing")
- 2 bottles of nail glue ("Glue")
- 1 bottle of nail oil ("Nail Care")
- 100 cellulose pads (cellulose tissues)
- Storage case
- Operating instructions

NOTICE

- ▶ Check the contents to ensure everything has been provided, and for signs of visible damage.
- ▶ If the contents are incomplete, or have been damaged due to defective packaging or transportation, contact the Service Hotline (see chapter **Service**).

Unpacking

- ◆ Remove all parts of the appliance and these operating instructions from the box.
- ◆ Remove all packing material.

Disposal of packaging

The packaging protects the appliance against transport damage. The packaging materials are selected from the point of view of their environmental friendliness and disposal technology and are therefore recyclable.



The recirculation of packaging into the material circuit saves on raw material and reduces generated waste. Dispose of packaging material that is no longer needed according to the regionally established regulations.

NOTICE

- ▶ If possible preserve the appliance's original packaging during the warranty period so that, in the event of a warranty claim, you can package the appliance properly for its return.

Requirements for the installation location

For the safe and trouble-free operation of the appliance the following requirements must be met at the installation location:

- Place the appliance on a dry, flat and firm surface.
- Do not place the appliance in a damp environment and not in an area at risk from spraywater.
- Do not place the appliance adjacent to a radiator or a radiation heater.
- The mains power socket must be easily accessible, so that the plug can be easily removed in an emergency.

Electrical connection

DANGER

Potentially fatal risk of electrical shocks!

Upon contact with live wires or live components there is a potentially fatal risk!

Pay heed to the following safety information to avoid risks from electrical power:

- ▶ Do not operate the appliance if the plug or the power cable are damaged.
- ▶ Connect the appliance exclusively to a correctly fused mains power socket.
- ▶ Do not touch the appliance and the plug with wet hands.
- ▶ Avoid water contact with the appliance.
- ▶ DO NOT open the housing of this appliance. If live connections are touched and/or the electrical or mechanical construction is altered, there will be an increased risk of electric shock.

- ◆ Before you connect the appliance, compare the connection data (voltage and frequency) on the typeplate of the appliance with that for the intended power source. This data must match, in order to avoid any damage to the appliance.
- ◆ Ensure that the power cable of the appliance is not damaged and that it is not laid over hot surfaces and/or sharp edges.
- ◆ Ensure that the power cable is not over-taut or kinked.
- ◆ Do not let the power cable hang over edges (trip wire effect).
- ◆ Insert the plug into the mains power socket.

Handling and operation

In this chapter you receive important information for the handling and operation of the appliance.

NOTICE

- ▶ See also the chapter **Appliance and Accessories**.

Switching On and Off

- ◆ Switch on the UV appliance ❶ by pressing the ON/OFF switch ❷ to the position "I". As soon as the appliance is switched on, the blue points on the appliance light up.
- ◆ Switch off the UV appliance ❶ by pressing the ON/OFF switch ❷ to the position "O".

Functions

Three different treatment times can be set on the appliance:

- 90 seconds
- 150 seconds
- 240 seconds

- ◆ Press the Start button ❹. "90" lights up and the UV lamps switch on.
- ◆ If you want to select another time, press the time selector button (SELECT) ❸ repeatedly until the desired time lights up.

NOTICE

- ▶ The UV lamps switch off automatically after the lapse of the preset time.
- ◆ Press the start button ❹ and the time selector button ❸ again as described above for each further treatment.

Utilisation

CAUTION

Risk of property damage from glue and UV gel.

Nail glue 17, UV gel 18 and French gel 19 are very difficult to remove from furniture surfaces, clothes and carpets.

- ▶ Cover your work area with paper or with a hand towel prior to use.

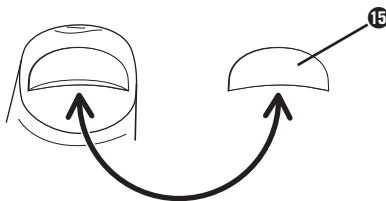
NOTE

- ▶ Place the UV appliance 1 on a covered, stable surface.
- ▶ Never place the nail glue 17, the French gel 19 or the UV gel 18 in the vicinity of the UV appliance 1.
- ▶ Never expose the nail glue 17, the French gel 19 or the UV gel 18 to direct sunshine.

Selecting artificial nails

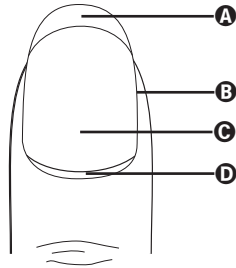
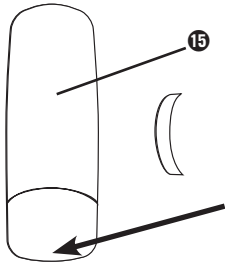
NOTICE

- ▶ For the first applications it may be helpful to be assisted by an experienced person.
- ▶ Before the application, remove all jewelry on the hands.
- ▶ Clean and dry your hands before the application. We recommend that the hands are washed about 15 - 20 minutes before the application, so that there will be no residual moisture on the nails.
- ◆ Select a nail tip 15 whose curvature corresponds as closely as possible to the natural curve of your nail.



- ◆ Select a nail tip 15 which closes exactly at the edge of your natural nail and whereby the sides are parallel to your natural nail.

- ◆ If necessary, file the ends of the nail tips 14 with the sandpaper file 15, so that the end point (arrow) covers about one third of your natural nail.



- A Free edge
- B Nail bed
- C Nail plate
- D Cuticle

NOTICE

- ▶ If you use a too small nail tip 15, it can break off more easily. Therefore, select a larger nail tip 15 and then file the sides into the desired form.
- ◆ Repeat the described process until all of your nails have the desired length and shape.

Attaching artificial nails

NOTICE

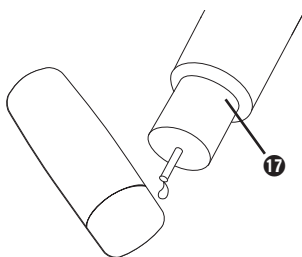
- ▶ Take note that nails absorb moisture from contact with water. The nails, however, must be completely dry before the application.
- ▶ Before the application, refrain from using any hand creams or the like, because, to make possible the optimal adhesion of the nail tips 15 the nail surfaces must be completely free from greases.
- ◆ Push the cuticle D back with the cuticle pusher 6 and then remove the transparent skin from the nail plate C of your finger.
- ◆ Now treat the nail surface with the sanding block 8 until the fingernail is no longer shiny.
- ◆ Remove the dust from filing with a paper cloth or cellulose pad 12.
- ◆ Rub the nails with the finishing solution 15 so that the last remnants of dust and grease are removed.

NOTICE

- ▶ Under no circumstance should you now touch the nail surfaces with your fingers, if you do, they will become greasy again and this will prevent a good bonding!
- ◆ Apply a small drop of nail glue **17** to the lower part of the nail tip **15** and distribute it with the aid of the nail glue bottle **17** on the lower surface. Hold the nail tip **15** down so that the nail glue **17** cannot run onto the upper part of the nail tip **15**.

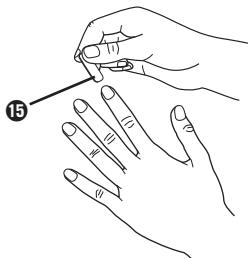
NOTICE

- ▶ Dab the nail tip **15** briefly with a cellulose pad **12** to remove any excess nail glue **17**.



NOTICE

- ▶ Before the first use you must puncture the bottle of nail glue **17** with a pointed object, such as a needle. If, at a later date, the bottle of nail glue **17** has become blocked, it can again be opened for use with a needle.
- ◆ Now place the nail tip **15** at an angle on the natural nail, so that the predetermined edge of the nail tip **15** lies on the edge of the natural nail.
- ◆ Now tilt the nail tip **15** with gentle pressure onto the natural nail, so that potential air bubbles are squeezed out.

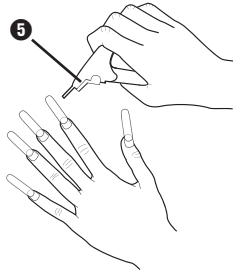


NOTICE

- ▶ Wipe off excess nail glue **17** with a cellulose pad **12**.
- ◆ Hold the nail tip **15** firmly for 10-12 seconds and, at the same time, press it down with sufficient pressure onto the natural nail. Ensure that no air bubbles are formed and that the tip is glued on perfectly straight.

NOTICE

- ▶ There may no longer be a gap under the nail, so that dirt cannot penetrate.
- ▶ Ensure that no air bubbles or white spots form under the nail tip **15**. In this case, take the nail tip **15** off immediately and lay it back on again.
- ◆ When you have glued all of the nail tips **15** on, trim them to the desired length with the nail clippers **5**. Press the nail clippers **5** together in one squeeze. If you press too slowly, it may happen that the nail tips **15** splitter.



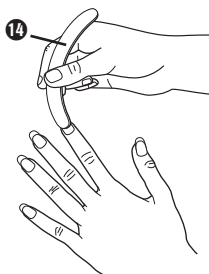
- ◆ File them into shape with the sandpaper file **14**.

NOTICE

- ▶ File very carefully, because the nail tips **15** are held only with a nail glue **17**.
- ▶ If you are not used to long nails, cut the nail tips **15** back a little in order to avoid knocks and prevent the nail tips **15** from falling off

Matching a nail set

- ◆ Carefully file the transitions from the nail tips **15** to the natural nails with the Sandpaper file **14**, until they conform to the contour of the natural nail. File only the nail tips **15**! Do not damage your natural nail.
- ◆ Carefully file the sides of the nail with the Sandpaper file **14** until it is straight and does not exhibit a “wing”.
- ◆ File the nail tip **15** first with the sandpaper file **14** and then with the sanding block **8**. The nail tip **15** should no longer shine.
- ◆ Repeat this step for each individual nail.



- ◆ Remove the dust from filing with a paper cloth or cellulose pad **12**.

Application of the UV-Gel

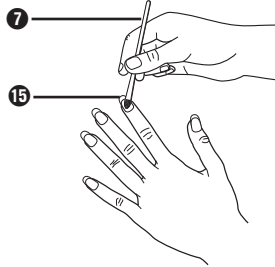
- ◆ Using the brush **7**, take a small amount of UV Gel **18** and then wipe the excess on one side of the brush **7** off on the edge the UV Gel pot.
- ◆ Apply a thin coating of UV-Gel **18** onto the complete nail. Apply a little more UV Gel **18** to the lower part of the nail, as hereby is how the offset between the natural and the artificial nail is created. Furthermore, the transition from natural to artificial nails is especially sensitive to pressure and knocks, thus more UV Gel **18** must be applied here.

INFORMATION

- ▶ When you are doing the application do not press too heavily on the brush **7**, since the brush **7** could otherwise cause streaking.
- ▶ Model the first layer of the UV Gel **18** very carefully, as this determines the future shape of the nail. Model the best possible natural nail shape.
- ◆ Maintain a distance of about 1 mm from the cuticle during the application.

NOTICE

- ▶ Should any UV Gel 18 inadvertently come onto the cuticle or the nail bed, remove it before the hardening, for example, with a cotton wool swab.
- ◆ Repeat the above process for all nails.



NOTICE

- ▶ Ensure that the nail is covered evenly with UV Gel 18.

Hardening of the UV-Gel

NOTICE

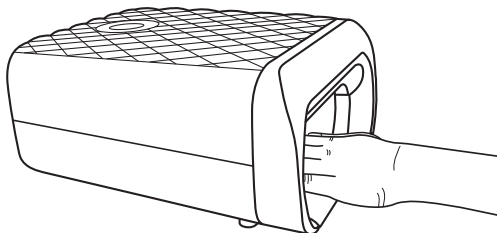
- ▶ See also the chapter **Handling and operation**.
- ◆ Switch on the UV appliance 1 with the ON/OFF switch 2.
- ◆ Press the start button 4.
- ◆ Use the time selector button 3 to select the required treatment time. For the first hardening we recommend the time setting of 240 seconds.
- ◆ Hold your hand with the nails upward for the duration of the set treatment time in the opening of the UV appliance 1.
- ◆ Treat the thumbnail separately because, when you hold your hand in the UV appliance 1, the UV light only shines on the side of it.
- ◆ Repeat the application of the UV gel 18 and the hardening in the UV appliance 1 as described above.

NOTICE

- ▶ To improve the stability of the nails, apply several thin coats of UV gel 18 and harden them each separately.

NOTICE

- ▶ After the expiry of the preselected treatment time the UV lamps are switched off automatically.
- ▶ The start button **4** and the time selector button **3** must be activated again for each new treatment.



- ◆ Examine each nail, after the application and hardening of all coatings, for unevenness, small scratches or ridges.
- ◆ If you discover unevenness, apply a further thin layer of UV gel **13** and harden the nail with the setting of 150 seconds or 90 seconds (depending on the amount of applied UV gel **13**).

Even after the last hardening of the Gel layer, the nails may feel a feel sticky ("sweat-layer" or polymerization layer).

- ◆ Moisten a cellulose pad **12** with finishing solution **16** and then wipe this over the nail.



TIP

- ▶ If you want to apply ornaments or small rhinestones to the nail, use the sharp side of the Spot swirl 9 to place them in the non-hardened most recent layer of the UV gel 16. Then harden the UV gel 16. Apply an additional, very thin layer of UV gel 16 over the nail and then harden it to ensure that the ornaments are held firmly in place. This gives the ornaments better protection.
- ◆ To finish, apply a coating of clear varnish onto the nail to give it a gloss finish.
- ◆ For care, add a little nail oil 20 to the cuticle.

Topping up

NOTICE

- ▶ Because the natural nail grows, over time the attachment of the nail tip 15 can raise itself. For this reason the gap between the cuticle and the nail attachment must be topped up from time to time.
- ▶ A topping up is required about every 2 - 3 weeks.
- ◆ Using the sandpaper file 14, file around the attachments of the hardened gel.
- ◆ Use the sanding block 8 until the nail is no longer shiny.
- ◆ When done, reapply UV gel 16 and harden it again.

NOTICE

- ▶ In this regard, see the previous chapters **Application of the UV-Gel, Hardening of the UV-Gel.**

French nails

“French nails” means decorating the fingernails with a white tip.

- ◆ Model the nail as described in the chapter entitled “Application” until you have applied the first layer of UV gel **18** and hardened it.
- ◆ Use the round application side of the Spot swirl **13** to apply French gel **19** to the nail tip. Always take up new French gel **19** with the point and model the white nail tip with light circular movements.
- ◆ Proceed with the other nails in the same way.
- ◆ Now harden the nail using a setting of 150 seconds.
- ◆ Then apply an additional layer of UV gel **18**. Apply a little less UV gel **18** to the white part of the nails than to the rest. This makes the transition to the white tip disappear.
- ◆ Now harden the nail using a setting of 150 seconds. After the last hardening of the gel layer, the nails may feel a little sticky (“sweat layer” or polymerization layer).
- ◆ Moisten a cellulose pad **12** with finishing solution **16** and then wipe this over the nail.

Removal of artificial nails

IMPORTANT

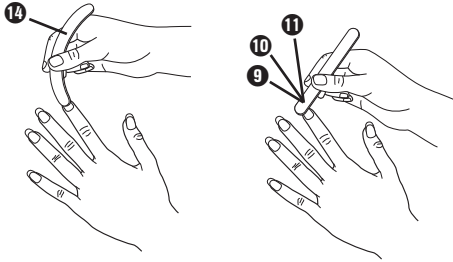
Risk of damaging the natural nail surface!

A forcible breaking-off of the nail tips **15** can cause damage to the natural nail surfaces!

- ▶ Do not break the nail tips **15** off of the natural nails.
- ▶ Remove the nail tips **15** only in accordance with the following description.
- ◆ First file the nails right back with the sandpaper file **14**.
- ◆ Then file the nail tips **15** off with the sandpaper file **14**.
- ◆ Polish your nails with the polishing files **9** **10** **11**.

TIP

- ▶ Afterwards, apply a little nail oil **20** to care for your natural nails.



Care

- Regularly file the attachments and nail edges.
- Use the nail oil 20 or a little hand cream regularly.
- When applying nail varnish, use both a lower layer and an upper layer.
- Do not use an acetone-based nail polish remover for removing nail polish, because this would loosen and damage the artificial nails.
- Wear rubber gloves when using detergents or bleaching agents.
- Wear a pair of rubber gloves for all work/activities that may damage the nails.

Cleaning

Safety instructions

⚠ DANGER

Potentially fatal risk of electrical shocks!

- ▶ Disconnect the plug from the mains power socket before you start cleaning the appliance.

IMPORTANT

Damage to the appliance!

- ▶ To avoid irreparable damage, ensure that no moisture can penetrate inside the UV appliance 1 when you are cleaning it.

Cleaning the appliance

- ◆ Clean the surfaces of the UV appliance 1 only with a soft and dry cloth. Wipe the base plate with a damp cloth.

Cleaning accessories

NOTICE

- ▶ Clean the brush **7** and the Spot swirl **13** immediately after every use.
- ▶ Always close all bottles and tubs after use.
- ◆ Keep the brush **7** and the Spot swirl **13** in the finishing solution **16** and then wipe them both off with a paper towel.

Exchanging the UV Lamps

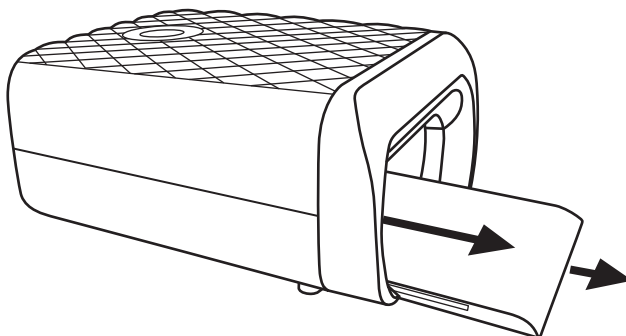
⚠ DANGER

Potentially fatal risk of electrical shocks!

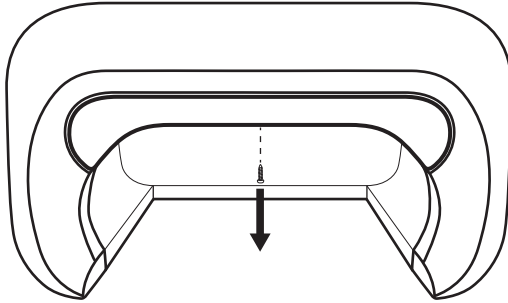
- ▶ Disconnect the plug from the mains power socket before you start with the exchange of the UV lamps!

NOTICE

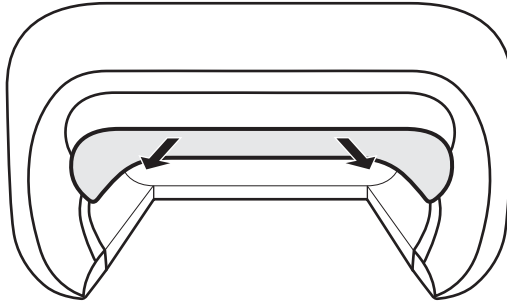
- ▶ The UV lamps may ONLY be replaced with lamps of the same type. The specifications for the precise lamp type are given in the chapter "Technical Data". UV lamps of this kind are available in specialist retailers.
- ◆ Remove the base plate from the appliance.



- ◆ Undo the screw with a Phillips screwdriver.



- ◆ Remove the front cover.



- ◆ Pull out the transparent protective disc.
- ◆ You can now carefully pull the defective UV lamp out of its socket.
- ◆ Insert the new UV lamp into the socket.
- ◆ Push the transparent protective disc back into the slot.
- ◆ Push the front cover back onto the appliance and fix it into place with the screw.
- ◆ Push the base plate back into the appliance.

Troubleshooting

In this chapter you will receive important information for malfunction localization and remedies. Observe the instructions in order to avoid risks and damage.

Safety instructions

WARNING

Observe the following safety information to avoid risks and property damage:

- ▶ Repairs to electronic appliances may only be carried out by specialists who have been trained by the manufacturer. Considerable risk to the consumer and damage to the appliance can occur as a result of incompetent repairs.

Malfunction causes and remedies

The following table will help with localizing and remedying minor malfunctions:

Defect	Possible cause	Solution
Appliance does not switch on.	The plug is not connected.	Insert the plug into the mains power socket.
	Mains power socket does not supply any voltage.	Check the fuses.
UV gel 18 does not harden sufficiently.	The selected treatment time too short.	Select a longer treatment time.
	One or more UV lamps are defective.	Replace any defective UV lamps (see chapter entitled "Exchanging UV lamps")
	Too much UV gel 18 applied.	Apply less UV gel 18.
	The nails were not directly under the UV lamps.	Hold the hand correctly in the UV appliance 1.
After hardening, a "sweat layer" remains on the nails.	Occurrence of a "sweat-layer" caused by polymerization.	Remove the "sweat layer" with the finishing solution 16.
The artificial nails are soft/loosened.	Loosening of the artificial nails by products with a high acetone concentration.	Apply no products with a high acetone concentration.
The artificial fingernails show unevenness.	Pressure on the brush 7 too high when applying the UV gel 18.	Do not press too hard on the brush 7 when you are applying the UV gel 18.
	UV gel 18 unevenly applied.	Apply a further and thinner layer of UV gel 18 and then harden it.
A UV lamp does not glow.	UV lamp defect.	Replace the defective UV lamp.

NOTICE

- ▶ If you cannot solve the problem with the aforementioned solutions, please contact Customer Services.

Storage/Disposal

Storage

IMPORTANT

Health risks from solvent-containing substances!

Solvent-containing substances and their vapours can damage your health!

- ▶ Carefully close all containers holding the accompanying substances.
- ▶ Store the accompanying substances out of the reach of children.

- ◆ Should you decide not use the appliance for an extended period, disconnect it from the mains power supply and store it in a clean and dry location away from direct sunlight and out of the reach of children.

- ◆ Store all substances in a clean, dry and cool location away from direct sunlight and out of the reach of children.

Disposing of the appliance



UNDER NO CIRCUMSTANCES should you throw the appliance or the substances into normal household waste. This product is subject to the provisions of the European Directive 2012/19/EU.

Dispose of the appliance and the substances via an approved waste disposal company or your communal waste disposal centre. The chemical substances are subject to special waste treatment. Observe the currently applicable regulations. In case of doubt, please contact your waste disposal centre.

Appendix

Notes on the EC Declaration of Conformity


This appliance complies with all the essential requirements and other relevant provisions of ...

- the European directive on electromagnetic compatibility 2014/30/EU,
- the Low Voltage Directive 2014/35/EU,
- and the RoHS Directive 2011/65/EU.

The full original Declaration of Conformity is available from the importer.



Technical data

Model	SNS 45 B4
Operating voltage	220 - 240 V ~ / 50 Hz
Power consumption	45 W
Operating temperature	+5 - +45 °C
Humidity (no condensation)	5 - 90 %
Dimensions (W x H x D):	approx. 12.6 x 20.9 x 27.5 cm
Weight	approx. 1240 g
Number of UV Lamps	4
UV Lamp Type	UVA-9W 365 nm, 9 W
UV-type of the appliance	UV-A Lamp type 3 UVA-9 W
Automatic switch-off times	after 90, 150 and 240 seconds
Protection class	II 

Kompernass Handels GmbH warranty

Dear Customer,

This appliance has a 3-year warranty valid from the date of purchase. If this product has any faults, you, the buyer, have certain statutory rights. Your statutory rights are not restricted in any way by the warranty described below.

Warranty conditions

The validity period of the warranty starts from the date of purchase. Please keep your original receipt in a safe place. This document will be required as proof of purchase.

If any material or production fault occurs within three years of the date of purchase of the product, we will either repair or replace the product for you at our discretion. This warranty service is dependent on you presenting the defective appliance and the proof of purchase (receipt) and a short written description of the fault and its time of occurrence.

If the defect is covered by the warranty, your product will either be repaired or replaced by us. The repair or replacement of a product does not signify the beginning of a new warranty period.

Warranty period and statutory claims for defects

The warranty period is not prolonged by repairs effected under the warranty. This also applies to replaced and repaired components. Any damage and defects present at the time of purchase must be reported immediately after unpacking. Repairs carried out after expiry of the warranty period shall be subject to a fee.

Scope of the warranty

This appliance has been manufactured in accordance with strict quality guidelines and inspected meticulously prior to delivery.

The warranty covers material faults or production faults. The warranty does not extend to product parts subject to normal wear and tear or fragile parts such as switches, batteries, baking moulds or parts made of glass.

The warranty does not apply if the product has been damaged, improperly used or improperly maintained. The directions in the operating instructions for the product regarding proper use of the product are to be strictly followed. Uses and actions that are discouraged in the operating instructions or which are warned against must be avoided.

This product is intended solely for private use and not for commercial purposes. The warranty shall be deemed void in cases of misuse or improper handling, use of force and modifications / repairs which have not been carried out by one of our authorised Service centres.

Warranty claim procedure

To ensure quick processing of your case, please observe the following instructions:

- Please have the till receipt and the item number (e.g. IAN 12345) available as proof of purchase.
- You will find the item number on the type plate, an engraving on the front page of the instructions (bottom left), or as a sticker on the rear or bottom of the appliance.
- If functional or other defects occur, please contact the service department listed either by **telephone** or by **e-mail**.
- You can return a defective product to us free of charge to the service address that will be provided to you. Ensure that you enclose the proof of purchase (till receipt) and information about what the defect is and when it occurred.



You can download these instructions along with many other manuals, product videos and software on www.lidl-service.com.

Service

GB Service Great Britain

Tel.: 0871 5000 720 (£ 0.10/Min.)

E-Mail: kompernass@lidl.co.uk

IE Service Ireland

Tel.: 1890 930 034

(0,08 EUR/Min., (peak))

(0,06 EUR/Min., (off peak))

E-Mail: kompernass@lidl.ie

CY Service Cyprus

Tel.: 8009 4409

E-Mail: kompernass@lidl.com.cy

IAN 290465

Importer

Please note that the following address is not the service address. Please use the service address provided in the operating instructions.

KOMPERNASS HANDELS GMBH

BURGSTRASSE 21

DE-44867 BOCHUM

GERMANY

www.kompernass.com

Περιεχόμενα

Εισαγωγή.....36	Εφαρμογή του τζελ UV.....54
Πνευματικά δικαιώματα.....36	Σκλήρυνση του τζελ UV.....55
Περιορισμός ευθύνης.....36	Πλήρωση.....57
Χρήση σύμφωνα με τους κανονισμούς.....36	Γαλλικό μανικιούρ.....58
Υποδείξεις προειδοποίησης.....37	Απομάκρυνση των μυτών νυχιών.....58
	Φροντίδα.....59
Υποδείξεις ασφαλείας.....38	Καθαρισμός.....59
Συσκευή και αξεσουάρ...45	Υποδείξεις ασφαλείας.....59
Τοποθέτηση και σύνδεση...46	Καθαρισμός συσκευής.....59
Υποδείξεις ασφαλείας.....46	Καθαρισμός των αξεσουάρ.....60
Σύνολο παράδοσης και έλεγχος της μεταφοράς.....46	Αλλαγή λαμπτήρων UV...60
Αποσυσκευασία.....47	Διόρθωση σφαλμάτων...62
Απόρριψη της συσκευασίας.....47	Υποδείξεις ασφαλείας.....62
Απαιτήσεις στο χώρο εγκατάστασης.....47	Αίτιες σφαλμάτων και διόρθωση.....63
Ηλεκτρική σύνδεση.....48	Αποθήκευση/Απόρριψη...64
Χειρισμός και λειτουργία...49	Αποθήκευση.....64
Ενεργοποίηση και απενεργοποίηση.....49	Απόρριψη συσκευής.....64
Λειτουργίες.....49	Παράρτημα.....64
Χρήση.....50	Υποδείξεις για τη Δήλωση
Επιλογή της μύτης νυχιού.....50	Συμμόρφωσης Ε.Κ.....64
Τοποθέτηση της μύτης νυχιού.....51	Τεχνικές πληροφορίες.....65
Προσαρμογή της βάσης νυχιού.....54	Εγγύηση της
	Kompernass Handels GmbH.....66
	Σέρβις.....67
	Εισαγωγέας.....67

Εισαγωγή

Συγχαρητήρια για την αγορά της νέας σας συσκευής.

Αποφασίσατε έτσι την απόκτηση ενός προϊόντος υψηλής ποιότητας. Οι οδηγίες χειρισμού είναι τμήμα αυτού του προϊόντος. Περιέχουν σημαντικές υποδείξεις για την ασφάλεια, τη χρήση και την απόρριψη. Πριν από τη χρήση του προϊόντος εξοικειωθείτε με όλες τις υποδείξεις χειρισμού και ασφάλειας. Χρησιμοποιείτε το προϊόν μόνο όπως περιγράφεται και για τα αναφερόμενα πεδία χρήσης. Σε περίπτωση παράδοσης του προϊόντος σε τρίτους, παραδίδετε και όλα τα έγγραφα.

Πνευματικά δικαιώματα

Αυτές οι οδηγίες έχουν προστασία πνευματικών δικαιωμάτων.

Κάθε ανατύπωση ή κάθε επανέκδοση ακόμα και τμηματικά, καθώς και η αναπαραγωγή των απεικονίσεων, ακόμα και σε τροποποιημένη κατάσταση, επιτρέπεται μόνο με γραπτή έγκριση του κατασκευαστή.

Περιορισμός ευθύνης

Όλες οι περιεχόμενες τεχνικές πληροφορίες, τα δεδομένα και οι υποδείξεις για τη σύνδεση και το χειρισμό σε αυτές τις οδηγίες χειρισμού, αντιστοιχούν στην τελευταία τεχνολογία των εκτυπώσεων και διεξάγονται λαμβάνοντας υπόψη τις μέχρι τώρα εμπειρίες και γνώσεις μας στο ανώτερο επίπεδο. Από τα στοιχεία, τις απεικονίσεις και περιγραφές σε αυτή την οδηγία δεν μπορούν να εγερθούν απαιτήσεις. Ο κατασκευαστής δεν αναλαμβάνει καμία ευθύνη για βλάβες από μη τήρηση των οδηγιών, από μη σύμφωνη με τους κανονισμούς χρήση, από εσφαλμένες επισκευές, από μη εγκεκριμένες διεξαχθείσες τροποποιήσεις ή χρήση με επιτρεπόμενων εξαρτημάτων.

Χρήση σύμφωνα με τους κανονισμούς

Αυτή η συσκευή προορίζεται μόνο για την τοποθέτηση και σταθεροποίηση μυτών νυχιών για το σκοπό μανικιούρ σε κλειστούς χώρους και μόνο για ιδιωτική χρήση. Μία άλλη ή διαφορετική χρήση από τα ανωτέρω αναφερόμενα ισχύει ως μη σύμφωνη με τους κανονισμούς.

ΠΡΟΕΙΔΟΠΟΙΗΣΗ

Κίνδυνος μέσω μη σύμφωνης με τους κανονισμούς χρήσης!

Μπορεί να προκύψουν κίνδυνοι από τη συσκευή σε μη σύμφωνη με τους κανονισμούς χρήση και/ή σε άλλου είδους χρήση.

- ▶ Χρησιμοποιείτε αποκλειστικά τη συσκευή με τρόπο σύμφωνο με τους κανονισμούς.
- ▶ Τηρείτε τις περιγραφόμενες διαδικασίες σε αυτές τις οδηγίες χειρισμού.

Απαιτήσεις οποιουδήποτε είδους λόγω ζημιών από χρήση μη σύμφωνη με τους κανονισμούς, από ακατάλληλες επισκευές, από μη επιτρεπόμενες τροποποιήσεις ή από χρήση μη επιτρεπόμενων ανταλλακτικών, αποκλείονται.

Την ευθύνη φέρει αποκλειστικά ο διαχειριστής.

Υποδείξεις προειδοποίησης

Στις παρούσες οδηγίες χειρισμού χρησιμοποιούνται οι εξής υποδείξεις προειδοποίησης:

ΚΙΝΔΥΝΟΣ

Μια προειδοποιητική υπόδειξη αυτής της βαθμίδας χαρακτηρίζει μια επικείμενη επικίνδυνη κατάσταση.

Στην περίπτωση που δεν μπορεί να αποφευχθεί η επικίνδυνη κατάσταση, μπορεί να προκληθεί θάνατος ή σοβαροί τραυματισμοί.

- ▶ Τηρείτε τις οδηγίες σε αυτή την υπόδειξη προειδοποίησης, ώστε να αποφεύγετε κίνδυνο θανάτου ή βαριών τραυματισμών ατόμων.

ΠΡΟΕΙΔΟΠΟΙΗΣΗ

Μια υπόδειξη προειδοποίησης αυτής της βαθμίδας κινδύνου χαρακτηρίζει μια πιθανή επικίνδυνη κατάσταση.

Στην περίπτωση που δεν μπορεί να αποφευχθεί μία επικίνδυνη κατάσταση, μπορεί να συμβούν τραυματισμοί.

- ▶ Οι οδηγίες σε αυτή την υπόδειξη προειδοποίησης πρέπει να τηρούνται, ώστε να αποφεύγονται τραυματισμοί στα άτομα.

ΠΡΟΣΟΧΗ

Μια υπόδειξη προειδοποίησης αυτού του βαθμού κινδύνου χαρακτηρίζει μία πιθανή εμπράγματη ζημιά.

Στην περίπτωση που δεν μπορεί να αποφευχθεί αυτή η κατάσταση, μπορεί να συμβεί εμπράγματη ζημιά.

- ▶ Οι οδηγίες σε αυτή την υπόδειξη προειδοποίησης πρέπει να τηρούνται, ώστε να αποφεύγονται εμπράγματες ζημιές.

ΥΠΟΔΕΙΞΗ

- ▶ Μία υπόδειξη χαρακτηρίζει επιπλέον πληροφορίες που διευκολύνουν το χειρισμό της συσκευής.

Υποδείξεις ασφαλείας

Αυτή η συσκευή αντιστοιχεί στους προδιαγεγραμμένους κανόνες ασφαλείας. Μια ακατάλληλη χρήση μπορεί να οδηγήσει σε τραυματισμούς από μων και αντικειμένων.

- Μία επισκευή της συσκευής κατά το χρόνο της εγγύησης επιτρέπεται να γίνεται μόνο από το εξουσιοδοτημένο από τον κατασκευαστή τμήμα εξυπηρέτησης πελατών, αλλιώς δεν ισχύει η απαίτηση της εγγύησης σε επακόλουθες φθορές.

ΚΙΝΔΥΝΟΣ

Κίνδυνος θανάτου μέσω ηλεκτρικού ρεύματος!

Κατά την επαφή με αγωγούς ή κατασκευαστικά τμήματα υπό τάση υπάρχει κίνδυνος θανάτου!

Προσέχετε τις ακόλουθες υποδείξεις ασφαλείας ώστε να αποφεύγετε κίνδυνο μέσω ηλεκτρικού ρεύματος:

- ▶ Όταν το καλώδιο σύνδεσης αυτής της συσκευής παρουσιάζει βλάβη, πρέπει να αντικατασταθεί από τον κατασκευαστή ή το τμήμα εξυπηρέτησης πελατών ή ένα αντιστοίχως εξειδικευμένο άτομο, ώστε να αποφεύγονται κίνδυνοι.
- ▶ Μην τοποθετείτε τη συσκευή στο μπάνιο.
- ▶ Συνδέετε τη συσκευή αποκλειστικά σε μια ασφαλισμένη πρίζα δικτύου.
- ▶ Μην αγγίζετε τη συσκευή και το βύσμα δικτύου με βρεγμένα χέρια.
- ▶ Ποτέ μην τοποθετείτε τη συσκευή στο νερό.
- ▶ Σε καμία περίπτωση μην ανοίγετε το περίβλημα της συσκευής (με εξαίρεση την αλλαγή του λαμπτήρα). Σε επαφή με συνδέσεις που φέρουν τάση και σε τροποποίηση της ηλεκτρικής ή μηχανικής κατασκευής, υπάρχει κίνδυνος ηλεκτροπληξίας.

⚠ ΠΡΟΕΙΔΟΠΟΙΗΣΗ**Κίνδυνος τραυματισμού μέσω υπεριώδους φωτός (φως UV)**

Όταν κοιτάτε απευθείας στο φως υπεριωδών των λυχνιών στη συσκευή μπορεί να συμβούν τραυματισμοί στα μάτια και μείωση της ικανότητας όρασης!

- ▶ Ποτέ μην κοιτάτε απευθείας στο φως υπεριωδών των λυχνιών.
- ▶ Απενεργοποιείτε τις λυχνίες υπεριωδών σε περίπτωση μη χρήσης τους.
- ▶ Όσοι δεν χρησιμοποιούν τη συσκευή και κυρίως τα παιδιά δεν επιτρέπεται κατά τη λειτουργία της να είναι παρόντες.

⚠ ΠΡΟΕΙΔΟΠΟΙΗΣΗ - ΚΙΝΔΥΝΟΣ ΤΡΑΥΜΑΤΙΣΜΟΥ

- ▶ Πριν από τη χρήση ελέγχετε τη συσκευή ως προς εξωτερικές εμφανείς φθορές. Μη θέτετε σε λειτουργία μία συσκευή που έχει φθορές ή που έχει πέσει κάτω.
- ▶ Τα παιδιά πρέπει να επιτηρούνται ώστε να εξασφαλίζεται ότι δεν παίζουν με τη συσκευή.
- ▶ Ποτέ μην κοιτάτε απευθείας στις λυχνίες υπεριωδών. Αυτό μπορεί να οδηγήσει σε τραυματισμούς στα μάτια!
- ▶ Φυλάτε τη συσκευή και όλα τα αξεσουάρ πάντα σε σημείο μη προσβάσιμο από παιδιά.
- ▶ Προσέχετε τις υποδείξεις στα δοχεία όλων των χρησιμοποιούμενων ουσιών.
- ▶ Επιτρέπεται τις επισκευές στη συσκευή μόνο από εξουσιοδοτημένα συνεργεία ή από το τμήμα εξυπηρέτησης πελατών. Μέσω ακατάλληλων επισκευών μπορεί να προκληθούν κίνδυνοι για το χρήστη. Επίσης ακυρώνεται η απαίτηση της εγγύησης.
- ▶ Τα ελαττωματικά μέρη κατασκευής επιτρέπεται να αντικαθίστανται μόνο από γνήσια ανταλλακτικά. Μόνο με αυτά τα ανταλλακτικά εξασφαλίζεται η εκπλήρωση των απαιτήσεων ασφάλειας.

ΠΡΟΕΙΔΟΠΟΙΗΣΗ

Κίνδυνος για βλάβες στην υγεία μέσω ουσιών και ατμών που περιέχουν διαλυτικά!

Η εισπνοή ουσιών και ατμών που περιέχουν διαλυτικά μπορεί να οδηγήσει σε βλάβες για την υγεία!

- ▶ Μην εισπνέετε ατμούς ουσιών που περιέχουν διαλυτικά (π.χ. ακετόνη).
- ▶ Φροντίζετε για επαρκή αερισμό κατά τη μεταχείριση ουσιών που περιέχουν διαλυτικά.
- ▶ Προσέχετε τις υποδείξεις στα δοχεία των ουσιών που περιέχουν διαλυτικά.

ΠΡΟΕΙΔΟΠΟΙΗΣΗ

Κίνδυνος για βλάβες στην υγεία μέσω χημικών ουσιών!

Η ακατάλληλη μεταχείριση χημικών ουσιών μπορεί να οδηγήσει σε σοβαρές βλάβες στην υγεία!

- ▶ Σε περίπτωση κατάποσης αναζητήστε αμέσως έναν γιατρό!
- ▶ Σε περίπτωση αλλεργικών αντιδράσεων αναζητήστε αμέσως έναν γιατρό!
- ▶ Σε περίπτωση επαφής με τα μάτια ή τη βλεννογόνο αναζητήστε αμέσως έναν γιατρό!

⚠ ΥΠΟΔΕΙΞΕΙΣ ΣΧΕΤΙΚΑ ΜΕ ΤΟ ΧΕΙΡΙΣΜΟ ΧΗΜΙΚΩΝ ΟΥΣΙΩΝ

Στις χημικές ουσίες του παρόντος προϊόντος συγκαταλέγονται η κόλλα νυχιών, το διάλυμα φινιρίσματος, το τζελ UV και το τζελ για γαλλικό μανικιούρ.

- ▶ Ανοίγετε προσεκτικά τα δοχεία και τα μπουκαλάκια με τις χημικές ουσίες.
- ▶ Να είστε προσεκτικοί και συνετοί κατά το χειρισμό των χημικών ουσιών.
- ▶ Οι χημικές ουσίες ερεθίζουν τα μάτια και το δέρμα.
- ▶ Οι χημικές ουσίες μπορεί να προκαλέσουν δερματικούς ερεθισμούς (ευαισθητοποίηση της επιδερμίδας).
- ▶ Φροντίζετε για επαρκή αερισμό κατά την εργασία με χημικές ουσίες. Σε περίπτωση ανεπαρκούς αερισμού χρησιμοποιείτε συσκευή προστασίας της αναπνοής.
- ▶ Μη χρησιμοποιείτε ποτέ το τζελ UV και το τζελ για γαλλικό μανικιούρ σε κατεστραμμένα ή αρρωστημένα νύχια ή για την αποκατάσταση κατεστραμμένων νυχιών.
- ▶ Οι χημικές ουσίες δεν επιτρέπεται να φτάνουν στα χέρια των παιδιών!

ΠΡΟΣΟΧΗ - ΕΜΠΡΑΓΜΑΤΕΣ ΖΗΜΙΕΣ

- ▶ Προστατεύετε τη συσκευή από την υγρασία και από τη διείσδυση υγρών. Ποτέ μη βυθίζετε τη συσκευή σε νερό, μην τοποθετείτε τη συσκευή κοντά σε νερό και μην τοποθετείτε αντικείμενα γεμάτα με νερό (π.χ. βάζα) επάνω στη συσκευή.
- ▶ Μην τοποθετείτε αντικείμενα επάνω στη συσκευή.
- ▶ Μη λειτουργείτε τη συσκευή κοντά σε εμφανείς φλόγες (π.χ. κεριά).
- ▶ Αποφεύγετε την απευθείας ηλιακή ακτινοβολία.
- ▶ Τραβάτε πάντα το καλώδιο δικτύου από την πρίζα κρατώντας από το βύσμα σύνδεσης, όχι από το ίδιο το καλώδιο.
- ▶ Σε εμφανιζόμενες βλάβες και σε περίπτωση κακοκαιρίας τραβάτε το βύσμα από την πρίζα.

⚠ ΠΡΟΕΙΔΟΠΟΙΗΣΗ - ΚΙΝΔΥΝΟΣ ΤΡΑΥΜΑΤΙΣΜΟΥ!

Οι συσκευές UV (υπεριωδών) δεν επιτρέπεται να χρησιμοποιούνται από:

- ▶ Άτομα, τα οποία πάσχουν από καρκίνο του δέρματος ή έχουν προδιάθεση,
- ▶ Άτομα, τα οποία λαμβάνουν φάρμακα που αυξάνουν την ευαισθησία στο φως,
- ▶ Άτομα κάτω των 18 ετών,
- ▶ Άτομα που τείνουν να εμφανίζουν φακίδες,
- ▶ Άτομα με φυσικό κόκκινο χρώμα μαλλιών,
- ▶ Άτομα με ασυνήθιστες χρωματικές αλλαγές στο δέρμα,
- ▶ Άτομα με περισσότερες από 16 κρεατοελιές (με μια διάμετρο τουλάχιστο 2 χιλ.) στο σώμα,
- ▶ Άτομα με ασυνήθιστες κρεατοελιές (οι ασυνήθιστες κρεατοελιές είναι ασύμμετρες με μια διάμετρο μεγαλύτερη από 5 χιλ. και με διαφορετική χρώση καθώς και με ανομοιόμορφους τομείς άκρων. Απευθύνεστε σε περίπτωση αμφιβολίας σε έναν γιατρό),
- ▶ Άτομα, τα οποία υποφέρουν από έγκαυμα μέσω έκθεσης στις ηλιακές ακτίνες,
- ▶ Άτομα, τα οποία μαυρίζουν από την ηλιακή ακτινοβολία με εγκαύματα στο δέρμα,
- ▶ Άτομα, τα οποία σε ηλιακή ακτινοβολία παθαίνουν γρήγορα εγκαύματα στο δέρμα,
- ▶ Άτομα, τα οποία κατά τη διάρκεια της παιδικής τους ηλικίας πάθαιναν συχνά εγκαύματα ηλίου,
- ▶ Άτομα, τα οποία υποφέρουν, νοσούν ή είναι επιρρεπή στον καρκίνο του δέρματος,
- ▶ Άτομα με συγγενή πρώτου βαθμού, ο οποίος έχει νοσήσει ήδη μια φορά από μελάνωμα (καρκίνος του δέρματος χρώματος μαύρου),
- ▶ Άτομα, τα οποία λόγω μιας πάθησης ευαισθησίας στο φως ακολουθούν κάποια ιατρική και φαρμακευτική αγωγή,
- ▶ Άτομα, τα οποία δεν μπορούν να μαυρίσουν ή όταν μαυρίζουν αποκτούν ηλιακό έγκαυμα όταν εκτίθενται στον ήλιο,
- ▶ Άτομα, τα οποία παθαίνουν εύκολα εγκαύματα, όταν εκτίθενται στον ήλιο,
- ▶ Κατά την εγκυμοσύνη.

- Η ακτινοβολία δεν πρέπει να υπερβαίνει την ελάχιστη δόση ερυθήματος (MED). Εάν εμφανιστεί ερύθημα (κοκκινίλα στο δέρμα) μερικές ώρες μετά την ακτινοβολία, πρέπει να αποφευχθούν περαιτέρω εφαρμογές. Η επόμενη ακτινοβολία πρέπει σε αυτή την περίπτωση να λάβει χώρα μια εβδομάδα μετά τη χρονική στιγμή της εμφάνισης της κοκκινίλας.
- Εάν εντός 48 ωρών μετά την πρώτη χρήση της συσκευής υπεριωδών εμφανιστούν μη αναμενόμενες παρενέργειες όπως κνησμός πρέπει πριν από μια περαιτέρω ακτινοβολία υπεριωδών να απευθυνθείτε σε έναν γιατρό.
- Προτεινόμενο χρονοδιάγραμμα ακτινοβολίας:
 - Μη διεξάγετε περισσότερες από 5 χρήσεις την ημέρα. Κάτι τέτοιο μπορεί να προκαλέσει δερματικούς ερεθισμούς.
 - Μην υπερβαίνετε τον προτεινόμενο αριθμό των 400 χρήσεων ανά έτος.
- Η συσκευή δεν επιτρέπεται να χρησιμοποιείται, εάν ο χρονοδιακόπτης δε λειτουργεί σωστά.
- Χρησιμοποιείτε μόνο λαμπτήρες του προδιαγεγραμμένου τύπου. Η χρήση ενός λαμπτήρα υπεριωδών ενός άλλου κατασκευαστή ή τύπου, οδηγεί σε ακύρωση της απαίτησης εγγύησης.
- Η ακτινοβολία υπεριωδών του ήλιου ή μέσω συσκευών μπορεί να προκαλέσει βλάβες στο δέρμα ή στα μάτια, οι οποίες μπορεί να είναι μη αναστρέψιμες. Αυτές οι βιολογικές επιδράσεις εξαρτώνται από την ποιότητα και το μέγεθος της ακτινοβολίας καθώς και από την ευαισθησία του δέρματος ή των ματιών κάθε μεμονωμένου ατόμου.
- Το δέρμα μπορεί μετά από υπερβολική ακτινοβολία να επιβαρυνθεί με ηλιακό έγκαυμα. Πολύ συχνή ακτινοβολία υπεριωδών μέσω του ήλιου ή αντίστοιχων συσκευών μπορεί να οδηγήσει σε πρόωρη γήρανση του δέρματος και να αυξήσει τον κίνδυνο καρκίνου του δέρματος. Αυτός ο κίνδυνος μεγαλώνει με την αυξανόμενη συσσωρευμένη ακτινοβολία υπεριωδών. Η ακτινοβολία υπεριωδών σε νεαρή ηλικία αυξάνει τον μετέπειτα κίνδυνο καρκίνου του δέρματος.
- Η ακτινοβολία υπεριωδών μπορεί να οδηγήσει σε τραυματισμούς στα μάτια και στο δέρμα, όπως για παράδειγμα σε πρόωρη γήρανση του δέρματος ή ακόμα και σε καρκίνο του δέρματος. Διαβάστε τις οδηγίες χρήσης προσεκτικά. Ορισμένα φάρμακα ή καλλυντικά αυξάνουν την ευαισθησία έναντι της ακτινοβολίας υπεριωδών.

- Το απροστάτευτο μάτι μπορεί να υποστεί επιφανειακούς ερεθισμούς και σε ορισμένες περιπτώσεις μπορεί να προκληθούν βλάβες στον αμφιβληστροειδή χιτώνα μετά από υπερβολική ακτινοβολία. Συχνές, επαναλαμβανόμενες ακτινοβολίες μπορεί να οδηγήσουν σε καταρράκτη.
- Σε διαπιστωμένη, μεμονωμένη ευαισθησία έναντι ή σε αλλεργικές αντιδράσεις σε ακτινοβολία υπεριωδών, πρέπει πριν από την έναρξη της ακτινοβολίας να αναζητήσετε ιατρική συμβουλή.
- Ορισμένες παθήσεις ή οι παρενέργειες ορισμένων φαρμάκων μπορεί να επιδεινωθούν μέσω της ακτινοβολίας των υπεριωδών. Απευθύνεστε σε περίπτωση αμφιβολίας σε έναν γιατρό.
- Μεταξύ των πρώτων δύο ακτινοβολιών πρέπει να υπάρχει τουλάχιστο μια χρονική περίοδος 48 ωρών.
- Αποφεύγετε την ηλιοθεραπεία και τη χρήση της συσκευής την ίδια ημέρα. Αυτό μπορεί να οδηγήσει σε ερεθισμούς του δέρματος.
- Ακολουθείτε τις υποδείξεις για τη διάρκεια της ακτινοβολίας, τα διαλείμματα μεταξύ των ακτινοβολιών και την απόσταση προς τη λυχνία. Αλλιώς μπορεί να συμβούν ερεθισμοί στο δέρμα.
- Απευθύνεστε σε έναν γιατρό όταν εμφανίζονται επίμονα οιδήματα ή φλύκταινες ή αλλαγές σε κρεατοελιές ή εάν δημιουργούνται σημεία με πληγές.
- Προστατεύετε τους ευαίσθητους τομείς του δέρματος όπως ουλές, σημεία με τατουάζ και τα γεννητικά όργανα από την ακτινοβολία.
- Μη διεξάγετε περισσότερες από 5 χρήσεις την ημέρα. Αυτό μπορεί να οδηγήσει σε ερεθισμούς του δέρματος.
- Μην επεγγράφετε τον προτεινόμενο αριθμό 400 θεραπειών ανά έτος.
- Απομακρύνετε τα καλλυντικά και τα προϊόντα προστασίας από τον ήλιο πριν από τη θέση σε λειτουργία της συσκευής. Αλλιώς μπορεί να εμφανιστούν ερεθισμοί στο δέρμα.

ΥΠΟΔΕΙΞΗ

- ▶ Σε περίπτωση αμφιβολίας ζητήστε πληροφορίες πριν από τη χρήση της συσκευής από το γιατρό σας σχετικά με τις δυνατότητες χρήσης.

Συσκευή και αξεσουάρ

ΥΠΟΔΕΙΞΗ

- Δείτε σχετικά την απεικόνιση στην πλευρά ανοίγματος.

Απεικόνιση Α:

- 1 Συσκευή υπεριωδών με 4 ενσωματωμένες λυχνίες UV
- 2 Διακόπτης ON/OFF
- 3 Πλήκτρο επιλογής χρόνου (SELECT)
- 4 Πλήκτρο έναρξης

Απεικόνιση Β:

- 5 Κόφτης νυχιών (για την κοπή των μυτών νυχιών)
- 6 Κούφιες σμίλες (για να ωθείτε προς τα πίσω τα πετσάκια)
- 7 Πινέλο (για το πέρασμα του τζελ υπεριωδών)
- 8 Μπλοκ τροχίσματος (για τη λείανση ανωμαλιών)
- 9 Λίμα λεπτή (για το γυάλισμα των νυχιών „shine“)
- 10 Λίμα μεσαία (για το γυάλισμα των νυχιών „condition“)
- 11 Λίμα χονδρή (για το γυάλισμα των νυχιών „clean“)
- 12 Ταινίες κυτταρίνης (για το πέρασμα του διαλύματος φινιρίσματος ή για διόρθωση)
- 13 Spot Swirl (για το πέρασμα του τζελ γαλλικού ή τα διακοσμητικά στοιχεία)
- 14 Λίμα (για το λιμάρισμα των νυχιών)
- 15 Μύτες νυχιών (τεχνητά νύχια)
- 16 Διάλυμα φινιρίσματος (για την τελική επεξεργασία και για τον καθαρισμό των πινέλων)
- 17 Κόλλα νυχιών (για την κόλληση των μυτών νυχιών «GLUE»)
- 18 Τζελ UV (για το γέμισμα των νυχιών)
- 19 Τζελ για γαλλικό μανικιούρ (για τη διαμόρφωση του γαλλικού μανικιούρ)
- 20 Ειδικό λάδι νυχιών (για τη φροντίδα του δέρματος των νυχιών „Nail-Care“)

Τοποθέτηση και σύνδεση

Υποδείξεις ασφαλείας

ΠΡΟΕΙΔΟΠΟΙΗΣΗ

Κατά τη θέση σε λειτουργία της συσκευής μπορεί να εμφανιστούν ζημιές σε άτομα και αντικείμενα!

Προσέχετε τις ακόλουθες υποδείξεις ασφαλείας ώστε να αποφεύγετε κινδύνους:

- ▶ Τα υλικά συσκευασίας δεν επιτρέπεται να χρησιμοποιούνται για παιχνίδι. Υπάρχει κίνδυνος πνιγμού.
- ▶ Προσέχετε τις υποδείξεις για τις απαιτήσεις του χώρου τοποθέτησης καθώς και για την ηλεκτρική σύνδεση της συσκευής ώστε να αποφεύγετε βλάβες σε άτομα και αντικείμενα.

Σύνολο παράδοσης και έλεγχος της μεταφοράς

Η συσκευή παραδίδεται κανονικά με τα εξής στοιχεία:

- Συσκευή υπεριωδών με 4 λυχνίες υπεριωδών και καλώδιο δικτύου
- Χαρτόλιμα νυχιών
- Λίμες (χονδρή, μεσαία, λεπτή)
- Μπλοκ τροχίσματος
- Μύτες νυχιών
- Κούφια σμίλη
- Πινέλο
- Spot Swirl
- Κόφτης νυχιών
- 1 δοχείο τζελ για γαλλικό μανικιούρ («τζελ γαλλικού»)
- 2 δοχεία τζελ υπεριωδών («τζελ UV»)
- Διάλυμα φινιρίσματος («Finishing»)
- 2 μπουκαλάκια κόλλας νυχιών («Glue»)
- 1 φιάλη ειδικό λάδι νυχιών („Nail-Care“)
- 100 ταινίες κυτταρίνης (πανάκια κυτταρίνης)
- Τσάντα φύλαξης
- Οδηγίες χρήσης

ΥΠΟΔΕΙΞΗ

- ▶ Ελέγχετε το σύνολο παράδοσης ως προς την πληρότητα και εμφανείς φθορές.
- ▶ Σε μία ελλιπή παράδοση ή σε φθορές από ελλιπή συσκευασία ή από τη μεταφορά απευθυνθείτε στη γραμμή του σέρβις (βλέπε Κεφάλαιο **Σέρβις**).

Αποσυσκευασία

- ◆ Απομακρύνετε όλα τα εξαρτήματα της συσκευής και τις Οδηγίες χειρισμού από το χαρτοκιβώτιο.
- ◆ Αφαιρέστε όλα τα υλικά της συσκευασίας.

Απόρριψη της συσκευασίας

Η συσκευασία προστατεύει τη συσκευή από φθορές κατά τη μεταφορά. Τα υλικά συσκευασίας έχουν επιλεγεί σύμφωνα με τους οικολογικούς παράγοντες και τους παράγοντες της τεχνικής απόρριψης και για το λόγο αυτό είναι ανακυκλώσιμα.



Η επιστροφή της συσκευασίας στον κύκλο ροής υλικών εξοικονομεί πρώτες ύλες και μειώνει την ποσότητα των απορριμμάτων. Απορρίπτετε τα υλικά συσκευασίας που δεν χρησιμοποιούνται πλέον, σύμφωνα με τις τοπικές ισχύουσες προδιαγραφές.

ΥΠΟΔΕΙΞΗ

- ▶ Εάν είναι δυνατό φυλάξτε τη γνήσια συσκευασία κατά τη διάρκεια της εγγύησης, για να μπορείτε σε περίπτωση εγγύησης να συσκευάσετε τη συσκευή σωστά.

Απαιτήσεις στο χώρο εγκατάστασης

Για μια ασφαλή και χωρίς σφάλματα λειτουργία της συσκευής πρέπει ο χώρος τοποθέτησης να πληροί τις ακόλουθες προϋποθέσεις:

- Τοποθετείστε τη συσκευή επάνω σε μια σταθερή, οριζόντια και στεγνή βάση.
- Μην τοποθετείτε τη συσκευή σε ένα βρεγμένο περιβάλλον και όχι σε μέρος όπου εκτοξεύεται νερό.
- Μην τοποθετείτε τη συσκευή απευθείας δίπλα σε καλοριφέρ ή σε θερμαντικό σώμα.
- Η πρίζα πρέπει να είναι καλά προσβάσιμη έτσι ώστε το βύσμα να μπορεί να τραβηχτεί σε περίπτωση ανάγκης.

Ηλεκτρική σύνδεση

ΚΙΝΔΥΝΟΣ

Κίνδυνος θανάτου μέσω ηλεκτρικού ρεύματος!

Κατά την επαφή με αγωγούς ή κατασκευαστικά τμήματα υπό τάση υπάρχει κίνδυνος θανάτου!

Προσέχετε τις ακόλουθες υποδείξεις ασφαλείας ώστε να αποφεύγετε κίνδυνο μέσω ηλεκτρικού ρεύματος:

- ▶ Μη λειτουργείτε τη συσκευή εάν το βύσμα δικτύου ή το καλώδιο δικτύου έχουν βλάβη.
- ▶ Συνδέετε τη συσκευή αποκλειστικά σε μια προστατευμένη πρίζα δικτύου.
- ▶ Μην αγγίζετε τη συσκευή και το βύσμα δικτύου με βρεγμένα χέρια.
- ▶ Αποφεύγετε την επαφή της συσκευής με το νερό.
- ▶ Σε καμία περίπτωση μην ανοίγετε το περίβλημα της συσκευής. Σε επαφή με συνδέσεις που φέρουν τάση και σε τροποποίηση της ηλεκτρικής ή μηχανικής κατασκευής, υπάρχει κίνδυνος ηλεκτροπληξίας.

- ◆ Πριν από τη σύνδεση της συσκευής συγκρίνετε τα δεδομένα σύνδεσης (τάση και συχνότητα) στην πινακίδα τύπου στη συσκευή, με αυτά του ηλεκτρικού σας δικτύου. Αυτά τα δεδομένα πρέπει να συμφωνούν, ώστε να μην εμφανιστούν βλάβες στη συσκευή.
- ◆ Βεβαιώνεστε ότι το καλώδιο δικτύου της συσκευής δεν έχει ζημιές και ότι δεν τοποθετείται επάνω σε καυτές επιφάνειες και/ή σε αιχμηρές ακμές.
- ◆ Προσέχετε ώστε το καλώδιο δικτύου να μην είναι τεντωμένο ή λυγισμένο.
- ◆ Μην αφήνετε το καλώδιο δικτύου να κρέμεται πάνω από γωνίες (κίνδυνος να σκοντάψετε).
- ◆ Εισάγετε το βύσμα στην πρίζα.

Χειρισμός και λειτουργία

Σε αυτό το κεφάλαιο λαμβάνετε σημαντικές υποδείξεις για το χειρισμό και τη λειτουργία της συσκευής.

ΥΠΟΔΕΙΞΗ

- ▶ Δείτε σχετικά με αυτό το Κεφάλαιο **Συσκευή και αξεσουάρ**.

Ενεργοποίηση και απενεργοποίηση

- ♦ Ενεργοποιήστε τη συσκευή υπεριδιών **1** μέσω πίεσης του διακόπτη ON/OFF **2** στη θέση „I”. Μόλις ενεργοποιηθεί η συσκευή, ανάβουν οι μπλε τελείες στη συσκευή.
- ♦ Απενεργοποιήστε πάλι τη συσκευή υπεριδιών **1** μέσω πίεσης του διακόπτη ON/OFF **2** στη θέση „0”.

Λειτουργίες

Στη συσκευή μπορούν να ρυθμιστούν τρεις διαφορετικοί χρόνοι χρήσης:

- 90 δευτερόλεπτα
- 150 δευτερόλεπτα
- 240 δευτερόλεπτα

- ♦ Πιέστε το πλήκτρο Έναρξης **4**. Το „90” ανάβει και οι λυχνίες υπεριδιών ενεργοποιούνται.
- ♦ Εάν θέλετε να επιλέξετε έναν άλλο χρόνο, πατήστε το πλήκτρο επιλογής χρόνου (SELECT) **3** τόσες φορές, έως ότου ανάψει ο επιθυμητός χρόνος.

ΥΠΟΔΕΙΞΗ

- ▶ Οι λυχνίες υπεριδιών απενεργοποιούνται αυτόματα μετά τη λήξη του προρυθμισμένου χρόνου.
- ♦ Πιέστε εκ νέου το πλήκτρο Έναρξης **4** και το πλήκτρο επιλογής χρόνου **3** για κάθε περαιτέρω χρήση, όπως περιγράφεται ανωτέρω.

Χρήση

ΠΡΟΣΟΧΗ

Κίνδυνος εμπράγματων ζημιών μέσω της κόλλας και του τζελ UV.

Η κόλλα νυχιών **17**, το τζελ UV **18** και το τζελ γαλλικού **19** αφαιρούνται πολύ δύσκολα από τις επιφάνειες των επίπλων, από τα ρούχα και τα χαλιά.

- ▶ Καλύψτε το χώρο εργασίας πριν από τη χρήση με χαρτί ή με μια πετσέτα.

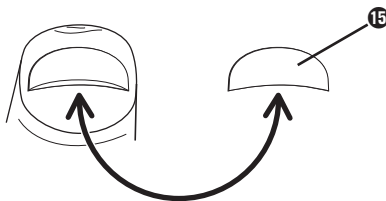
ΥΠΟΔΕΙΞΗ

- ▶ Τοποθετείτε τη συσκευή UV **1** επάνω σε μία καλυμμένη και σταθερή βάση.
- ▶ Μην τοποθετείτε ποτέ την κόλλα νυχιών **17**, το τζελ γαλλικού **19** και το τζελ UV **18** κοντά στη συσκευή UV **1**.
- ▶ Μην εκθέτετε ποτέ την κόλλα νυχιών **17**, το τζελ γαλλικού **19** και το τζελ UV **18** σε άμεση ηλιακή ακτινοβολία.

Επιλογή της μύτης νυχιού

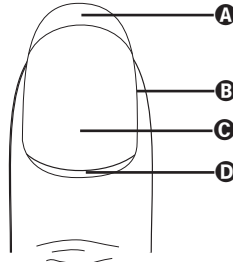
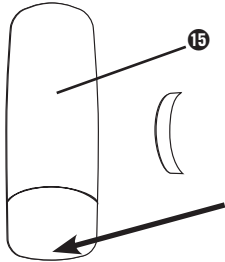
ΥΠΟΔΕΙΞΗ

- ▶ Κατά την πρώτη χρήση ίσως είναι χρήσιμο να ζητήσετε βοήθεια από ένα έμπειρο άτομο.
 - ▶ Πριν από τη χρήση απομακρύνετε όλα τα κοσμήματα από τα χέρια.
 - ▶ Καθαρίζετε και στεγνώνετε τα χέρια σας πριν από τη χρήση. Προτείνουμε να πλένετε τα χέρια περ. 15 - 20 λεπτά πριν από τη χρήση, ώστε να μην υπάρχει υπολειπόμενη υγρασία στα νύχια.
- ♦ Επιλέξτε μια μύτη νυχιού **15**, της οποίας το κύρτωμα θα αντιστοιχεί όσο περισσότερο γίνεται στο κύρτωμα του φυσικού σας νυχιού.



- ♦ Επιλέξτε μια μύτη νυχιού **15**, η οποία θα κλείνει ακριβώς στα άκρα του φυσικού νυχιού, ενώ οι πλευρές θα είναι παράλληλες προς το φυσικό σας νύχι.

- ♦ Εάν απαιτείται λιμάρετε με τη λίμα από σμύριδα **14** το άκρο της αιχμής νυχιού **15**, έτσι ώστε το τέρμα (βέλος) να καλύπτει περ. το ένα τρίτο του φυσικού σας νυχιού.



- A** Ελεύθερο άκρο
- B** Βάση νυχιού
- C** Πλάκα νυχιού
- D** Πετσάκια

ΥΠΟΔΕΙΞΗ

- ▶ Εάν χρησιμοποιείτε μια πολύ μικρή μύτη νυχιού **15**, αυτή μπορεί να σπάσει πιο εύκολα. Γι' αυτό επιλέξτε μια μεγαλύτερη μύτη νυχιού **15** και λιμάρετε τις πλευρές στο σχήμα που θέλετε.

- ♦ Επαναλάβετε την περιγραφόμενη διαδικασία, έως ότου όλα τα νύχια έχουν το επιθυμητό μήκος και σχήμα.

Τοποθέτηση της μύτης νυχιού

ΥΠΟΔΕΙΞΗ

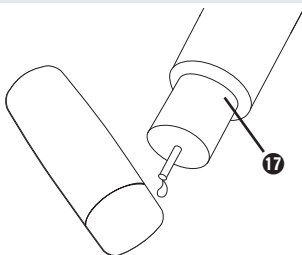
- ▶ Προσέχετε ότι τα νύχια απορροφάνε υγρασία κατά την επαφή με το νερό. Τα νύχια πρέπει ωστόσο να είναι πλήρως στεγνά πριν από τη χρήση.
- ▶ Πριν από τη χρήση μη χρησιμοποιείτε κρέμα χεριών ή παρόμοια προϊόντα, διότι η επιφάνεια των νυχιών πρέπει να μην έχει καθόλου λίπος, ώστε να διευκολύνεται μια βέλτιστη κόλληση των μυτών νυχιών **15**.
- ♦ Ωθήστε προς τα πίσω τα πετσάκια **D** με την κούφια σμίλη **B** και απομακρύνετε το διαφανές δέρμα από το σώμα νυχιού **C** του δαχτύλου σας.
- ♦ Τώρα επεξεργαστείτε την επιφάνεια του νυχιού με το μπλοκ τροχίσματος **8**, έως ότου το νύχι δεν θα γυαλίζει πλέον.
- ♦ Απομακρύνετε τη σκόνη από το λιμάρισμα με ένα χαρτί κουζίνας ή μία ταινία κυτταρίνης **12**.
- ♦ Τρίψτε τα νύχια με το διάλυμα φινιρίσματος **15**, ώστε να απομακρυνθούν τα τελευταία υπολείμματα σκόνης και λίπους.

ΥΠΟΔΕΙΞΗ

- ▶ Τώρα σε καμία περίπτωση μην αγγίζετε την επιφάνεια των νυχιών με τα δάχτυλα σας, διότι θα αποκτήσουν πάλι λιπαρότητα και θα εμποδιστεί μια σωστή πρόσφυση!
- ◆ Βάλτε μια μικρή σταγόνα κόλλας νυχιών **17** επάνω στο κάτω τμήμα της μύτης νυχιού **15** και καταλείψτε την με τη βοήθεια της μικρής φιάλης κόλλας **17** στην κάτω επιφάνεια. Κρατήστε τη μύτη νυχιού **15** προς τα κάτω, ώστε η κόλλα **17** να μην τρέχει στο επάνω τμήμα της μύτης νυχιού **15**.

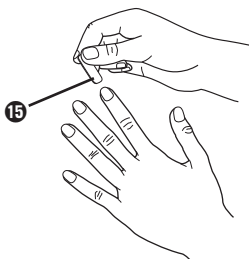
ΥΠΟΔΕΙΞΗ

- ▶ Ταμπονάρετε τη μύτη νυχιού **15** για λίγο σε μια ταινία κυτταρίνης **12** ώστε να απομακρύνετε περιττή κόλλα νυχιών **17**.



ΥΠΟΔΕΙΞΗ

- ▶ Πρέπει πριν από την πρώτη χρήση να τρυπήσετε τη φιάλη της κόλλας νυχιών **17** με ένα μυτερό αντικείμενο, π.χ. με μια βελόνα. Εάν σε μετέπειτα χρήση, η φιάλη της κόλλας νυχιών **17** έχει βουλώσει, μπορείτε πάλι να την απελευθερώσετε με μια βελόνα.
- ◆ Τοποθετήστε τώρα τη μύτη νυχιού **15** λοξά επάνω στο φυσικό νύχι έτσι ώστε η φυσιολογική ακμή της μύτης νυχιού **15** να ακουμπά στην ακμή του φυσικού νυχιού.
- ◆ Τώρα ακουμπάτε τη μύτη νυχιού **15** με ελαφριά πίεση επάνω στο φυσικό νύχι, έτσι ώστε να πιέζονται προς τα έξω ενδεχόμενες φυσαλίδες αέρα.

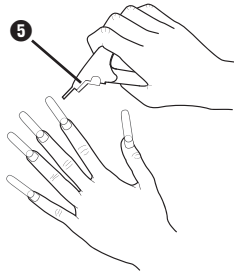


ΥΠΟΔΕΙΞΗ

- ▶ Σκουπίστε την περιττή κόλλα νυχιών **17** με μια ταινία κυταρίνης **12**.
- ◆ Κρατήστε σφιχτά τη μύτη νυχιού **15** για 10-12 δευτερόλεπτα και πιέστε την τότε με επαρκή πίεση επάνω στο φυσικό νύχι. Προσέχετε ώστε να μην δημιουργούνται φυσαλίδες αέρα και η μύτη να κολλiέται εντελώς ίσια.

ΥΠΟΔΕΙΞΗ

- ▶ Δεν επιτρέπεται να υπάρχει πλέον κενό κάτω από το νύχι, ώστε να μην μπορεί να διεισδύσει βρόμα.
- ▶ Προσέχετε ώστε να μην δημιουργούνται φυσαλίδες αέρα ή λευκές κηλίδες κάτω από τη μύτη νυχιού **15**. Σε αυτή την περίπτωση απομακρύνετε πάλι αμέσως τη μύτη νυχιού **15** και τοποθετήστε την πάλι.
- ◆ Όταν έχετε κολλήσει όλες τις μύτες **15**, κόψτε τις με τον κόφτη νυχιών **5** στο επιθυμητό μήκος. Πιέστε τον κόφτη νυχιών **5** με μια κίνηση. Όταν πιέζετε πολύ αργά μπορεί να συμβεί θρυμματισμός των μυτών νυχιών **15**.



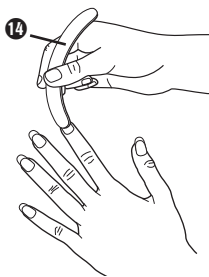
- ◆ Λιμάρετε τις μύτες με τη χαρτόλιμα **14** στο σχήμα που θέλετε.

ΥΠΟΔΕΙΞΗ

- ▶ Λιμάρετε πολύ προσεκτικά, διότι οι μύτες νυχιών **15** είναι στερεωμένες μόνο με κόλλα νυχιών **17**.
- ▶ Εάν δεν έχετε συνηθίσει τα μακριά νύχια, κόψτε προηγουμένως λίγο τις μύτες νυχιών **15**, ώστε να αποφύγετε χτύπημα και πέσιμο των μυτών νυχιών **15**.

Προσαρμογή της βάσης νυχιού

- ♦ Λιμάρετε προσεκτικά την προεξοχή της μύτης νυχιού **15** προς το φυσικό νύχι με τη χαρτόλιμα **14**, έως ότου προσαρμοστεί στο περίγραμμα του φυσικού νυχιού. Λιμάρετε αποκλειστικά τη μύτη νυχιού **15**! Μην καταστρέψετε το φυσικό σας νύχι.
- ♦ Λιμάρετε τις πλευρές νυχιού προσεκτικά με τη χαρτόλιμα **14**, έως ότου ισιώσουν και δεν παρουσιάζουν «πτερύγια».
- ♦ Λιμάρετε πρώτα τη μύτη νυχιού **15** με τη χαρτόλιμα **14** και στη συνέχεια με το μπλοκ τροχίσματος **8**. Η μύτη νυχιού **15** δεν επιτρέπεται πλέον να γυαλίζει.
- ♦ Επαναλάβετε αυτά τα βήματα για κάθε ξεχωριστό νύχι.



- ♦ Απομακρύνετε τη σκόνη από το λιμάρισμα με ένα χαρτί κουζίνας ή μια ταινία κυτταρίνης **12**.

Εφαρμογή του τζελ UV

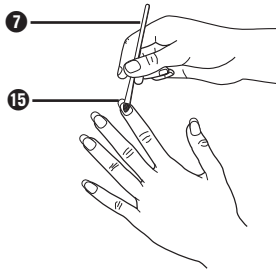
- ♦ Παίρνετε με το πινέλο **7** μια μικρή ποσότητα τζελ υπεριωδών **18** και εφαρμόζετε στη μια πλευρά του πινέλου **7** στο άκρο του δοχείου τζελ υπεριωδών.
- ♦ Εφαρμόζετε μια λεπτή στρώση τζελ UV **18** σε όλο το νύχι. Στο κάτω τμήμα του νυχιού, εφαρμόζετε λίγο περισσότερο τζελ UV **18**, διότι έτσι δημιουργείται η αντιστάθμιση μεταξύ του φυσικού και του ψεύτικου νυχιού. Επίσης το σημείο μετάβασης του φυσικού στο ψεύτικο νύχι είναι ιδιαίτερα ευαίσθητο έναντι επιφορτίσεων και κρούσεων, γι' αυτό πρέπει εδώ να εφαρμόζεται περισσότερο τζελ UV **18**.

ΥΠΟΔΕΙΞΙΣ

- ▶ Μην πιέζετε κατά την εφαρμογή πολύ δυνατά στο πινέλο **7**, διότι το πινέλο **7** προκαλεί σε αντίθετη περίπτωση δημιουργία λωρίδων.
- ▶ Διαμορφώστε την πρώτη στρώση του τζελ UV **18** ιδιαίτερα προσεκτικά, διότι αυτή καθορίζει το μετέπειτα σχήμα του νυχιού. Διαμορφώστε ένα το δυνατόν φυσικό σχήμα νυχιού.
- ♦ Κατά την εφαρμογή διατηρείτε περ. 1 χιλ. απόσταση προς τα πετσάκια.

ΥΠΟΔΕΙΞΗ

- ▶ Εάν κατά λάθος φτάσει τζελ UV **18** στα πετσάκια ή στη βάση νυχιού, απομακρύνετε το προτού σκληρύνει, π.χ. με μια μπατονέτα.
- ◆ Επαναλάβετε την περιγραφόμενη διαδικασία σε όλα τα νύχια.



ΥΠΟΔΕΙΞΗ

- ▶ Προσέχετε ώστε το νύχι να καλύπτεται ομοιόμορφα με τζελ UV **18**.

Σκλήρυνση του τζελ UV

ΥΠΟΔΕΙΞΗ

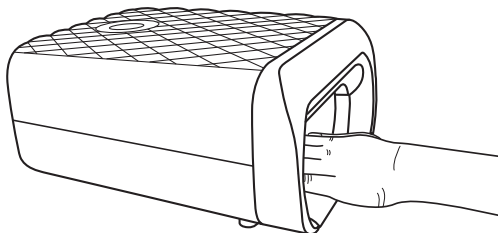
- ▶ Δείτε σχετικά με αυτό το Κεφάλαιο **Χειρισμός και λειτουργία**.
- ◆ Ενεργοποιήστε τη συσκευή υπεριωδών **1** στο διακόπτη on/off **2**.
- ◆ Πιέστε το πλήκτρο Έναρξης **4**.
- ◆ Επιλέξτε με το πλήκτρο επιλογής χρόνου **3** τον επιθυμητό χρόνο εφαρμογής. Για την πρώτη σκλήρυνση προτείνουμε τη ρύθμιση χρόνου των 240 δευτερολέπτων.
- ◆ Κρατήστε το χέρι σας με τα νύχια προς τα επάνω για τη διάρκεια του ρυθμισμένου χρόνου εφαρμογής, στο άνοιγμα της συσκευής υπεριωδών **1**.
- ◆ Κάντε την εφαρμογή στο νύχι του αντίχειρα ξεχωριστά, διότι το φως υπεριωδών καλύπτει αυτό το νύχι μόνο πλευρικά, όταν τοποθετείται το χέρι στη συσκευή υπεριωδών **1**.
- ◆ Επαναλάβετε άλλη μια φορά την εφαρμογή του τζελ UV **18** και τη σκλήρυνση στη συσκευή υπεριωδών **1** όπως περιγράφηκε.

ΥΠΟΔΕΙΞΗ

- ▶ Για να έχετε περισσότερη σταθερότητα για τα νύχια, εφαρμόστε περισσότερες λεπτές στρώσεις τζελ UV **18** και στεγνώστε το.

ΥΠΟΔΕΙΞΗ

- ▶ Μετά τη λήξη της προ-ρυθμισμένης διάρκειας εφαρμογής, οι λυχνίες υπεριωδών απενεργοποιούνται αυτόματα.
- ▶ Για κάθε νέα εφαρμογή πρέπει να πατηθεί εκ νέου το πλήκτρο Έναρξης **4** και το Πλήκτρο επιλογής χρόνου **3**.



- ◆ Ελέγχετε κάθε νύχι μετά την εφαρμογή και σκλήρυνση όλων των στρώσεων για ανωμαλίες, μικρά γδαρσίματα ή αυλακώσεις.
- ◆ Εάν ανακαλύψετε ανωμαλίες, εφαρμόστε άλλη μια λεπτή στρώση τζελ υπεριωδών **18** και σκληρύνετε το νύχι με τη ρύθμιση των 150 δευτερολέπτων ή των 90 δευτερολέπτων (ανάλογα με την ποσότητα του τζελ υπεριωδών που έχει εφαρμοστεί **18**).

Ακόμα και μετά τη σκλήρυνση της τελευταίας στρώσης τζελ, μπορεί να αισθάνεστε τα νύχια κάπως κολλώδη («Στρώση διασποράς» ή Στρώση πολυμερισμού).

- ◆ Υγραίνετε μία ταινία κυτταρίνης **12** με διάλυμα φινιρίσματος **16** και σκουπίζετε με αυτή τα νύχια.



ΣΥΜΒΟΥΛΗ

- ▶ Εάν επιθυμείτε να τοποθετήσετε διακοσμητικά ή μικρά στρασάκια, τοποθετείτε τα με την αιχμηρή πλευρά του Spot-Swirl 9 στην τελευταία στρώση του τζελ UV 18 που δεν έχει ακόμη στεγνώσει. Στη συνέχεια στεγνώστε το τζελ UV 18.
Για να κρατήσουν καλύτερα τα διακοσμητικά, απλώστε μία ακόμη πολύ λεπτή στρώση τζελ UV 18 στα νύχια και αφήστε να στεγνώσει. Έτσι, τα διακοσμητικά προστατεύονται καλύτερα.
- ◆ Τέλος εφαρμόστε ένα διαφανές βερνίκι νυχιών στα νύχια ώστε να γυαλίζουν.
- ◆ Για φροντίδα, περάστε λίγο ειδικό λάδι νυχιών 20 στο δέρμα των νυχιών.

Πλήρωση**ΥΠΟΔΕΙΞΗ**

- ▶ Επειδή το φυσικό νύχι συνεχίζει να μεγαλώνει, μπορεί η βάση της μύτης νυχιού 15 να σηκωθεί με το πέρασμα του χρόνου. Γι' αυτό πρέπει το κενό μεταξύ του δέρματος νυχιού και της βάσης νυχιού να γεμίζει από καιρού εις καιρόν.
- ▶ Απαιτείται μια πλήρωση σχεδόν κάθε 2 - 3 εβδομάδες.
- ◆ Λιμάρετε με τη χαρτόλιμα 14 γύρω από τις βάσεις του σκληρυμένου τζελ.
- ◆ Χρησιμοποιείτε το μπλοκ τροχίσματος 8, έως ότου το νύχι δεν γυαλίζει πλέον.
- ◆ Στη συνέχεια εφαρμόστε πάλι τζελ UV 18 και σκληρύνετε το εκ νέου.

ΥΠΟΔΕΙΞΗ

- ▶ Δείτε σχετικά το προηγούμενο Κεφάλαιο **Εφαρμογή του τζελ UV, Σκλήρυνση του τζελ UV**.

Γαλλικό μανικιούρ

Με τον όρο «γαλλικό μανικιούρ» εννοούμε το λευκό τελείωμα στα νύχια.

- ♦ Διαμορφώστε τα νύχια όπως περιγράφεται στο κεφάλαιο «Εφαρμογή», έως ότου απλώσετε την πρώτη στρώση τζελ UV **18** και στεγνώσει.
- ♦ Χρησιμοποιήστε τώρα τη στρογγυλή πλευρά εφαρμογής του Spot Swirl **13** για να απλώσετε στην άκρη των νυχιών το τζελ γαλλικού **19**. Παίρνετε συνέχεια νέο τζελ γαλλικού **19** με την άκρη και διαμορφώστε τη λευκή άκρη των νυχιών με ελαφρώς κυκλικές κινήσεις.
- ♦ Ακολουθήστε την ίδια διαδικασία με τα άλλα νύχια.
- ♦ Στεγνώστε στη συνέχεια τα νύχια με τη ρύθμιση 150 δευτερόλεπτα.
- ♦ Απλώστε κατόπιν μία ακόμη στρώση τζελ UV **18**. Απλώστε λίγο λιγότερο τζελ UV **18** στο λευκό μέρος του νυχιού, από ότι στο υπόλοιπο. Έτσι εξαφανίζεται η διαφορά στο λευκό άκρο.
- ♦ Στεγνώστε στη συνέχεια τα νύχια με τη ρύθμιση 150 δευτερόλεπτα. Μετά το στέγνωμα της τελευταίας στρώσης τζελ, μπορεί να αισθανεστε τα νύχια κάπως κολλώδη («Στρώση διασποράς» ή Στρώση πολυμερισμού).
- ♦ Υγράνετε μία ταινία κυταρίνης **12** με διάλυμα φινιρίσματος **16** και σκουπίστε με αυτή τα νύχια.

Απομάκρυνση των μυτών νυχιών

ΠΡΟΣΟΧΗ

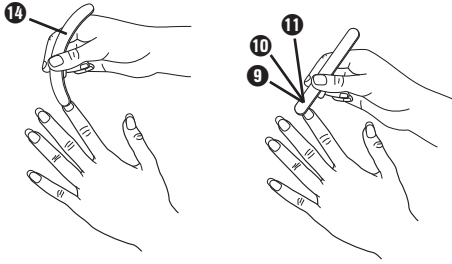
Κίνδυνος ζημιάς στην επιφάνεια του φυσικού νυχιού!

Βίαιο σπάσιμο των μυτών νυχιών **15** μπορεί να οδηγήσει σε ζημιά της επιφάνειας φυσικού νυχιού!

- ▶ Μην σπάτε τις μύτες νυχιών **15** από τα φυσικά νύχια.
- ▶ Απομακρύνετε τις μύτες νυχιών **15** αποκλειστικά σύμφωνα με την ακόλουθη περιγραφή.
- ♦ Λιμάρετε πρώτα τα νύχια εντελώς με τη χαρτόλιμα **14**.
- ♦ Στη συνέχεια λιμάρετε τις μύτες νυχιών **15** με τη χαρτόλιμα νυχιών **14**.
- ♦ Γυαλίστε τα νύχια σας με τις λίμες **9 10 11**.

ΣΥΜΒΟΥΛΗ

- ▶ Στη συνέχεια για τη φροντίδα των φυσικών σας νυχιών εφαρμόστε λίγο λάδι νυχιών **20**.



Φροντίδα

- Λιμάρετε τις βάσεις και τις άκρες νυχιών τακτικά.
- Χρησιμοποιείτε τακτικά το ειδικό λάδι νυχιών 20 ή μια κρέμα για τα χέρια.
- Κατά την εφαρμογή βερνικιού βάζετε μια κάτω στρώση καθώς και μια στρώση επικάλυψης.
- Για την απομάκρυνση του βερνικιού μη χρησιμοποιείτε αντίστοιχα προϊόντα που περιέχουν ακετόνη, διότι έτσι τα τεχνητά νύχια προσβάλλονται και χαλάνε.
- Κατά τη χρήση απορροπαντικών και λευκαντικών φοράτε γάντια από καουτσούκ.
- Φοράτε σε όλες τις εργασίες/δραστηριότητες, οι οποίες μπορεί να χαλάσουν τα νύχια, γάντια από καουτσούκ.

Καθαρισμός

Υποδειξεις ασφαλείας

⚠ ΚΙΝΔΥΝΟΣ

Κίνδυνος θανάτου μέσω ηλεκτρικού ρεύματος!

- ▶ Τραβάτε το βύσμα από την πρίζα, προτού ξεκινήσετε με τον καθαρισμό της συσκευής.

ΠΡΟΣΟΧΗ

Ζημιά της συσκευής!

- ▶ Εξασφαλίστε ότι κατά τον καθαρισμό δεν θα διεισδύει υγρασία στη συσκευή υπερεισών ❶, ώστε να αποφεύγετε μια ανεπανόρθωτη ζημιά της συσκευής.

Καθαρισμός συσκευής

- ◆ Καθαρίζετε την επιφάνεια της συσκευής υπερεισών ❶ μόνο με ένα μαλακό, στεγνό πανί. Σκουπίστε τον πάτο της συσκευής με ένα υψώ πανί.

Καθαρισμός των αξεσουάρ

ΥΠΟΔΕΙΞΗ

- ▶ Καθαρίζετε το πινέλο **7** και το Spot Swirl **13** αμέσως μετά από κάθε χρήση.
- ▶ Ασφαλίζετε πάντα όλες τις φιάλες και τα δοχεία μετά τη χρήση.
- ◆ Κρατάτε το πινέλο **7** και το Spot Swirl **13** στο διάλυμα φινιρίσματος **16** και σκουπίζετε και τα δύο σε ένα χαρτί κουζίνας.

Αλλαγή λαμπτήρων UV

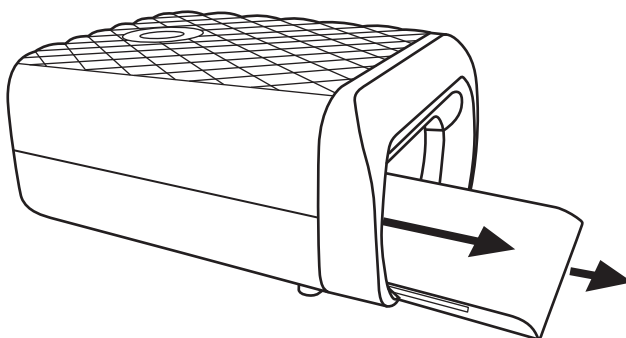
⚠ ΚΙΝΔΥΝΟΣ

Κίνδυνος θανάτου μέσω ηλεκτρικού ρεύματος!

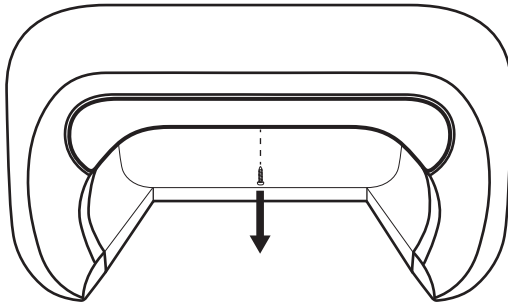
- ▶ Τραβήξτε το βύσμα από την πρίζα, προτού ξεκινήσετε με την αλλαγή των λαμπτήρων υπεριωδών!

ΥΠΟΔΕΙΞΗ

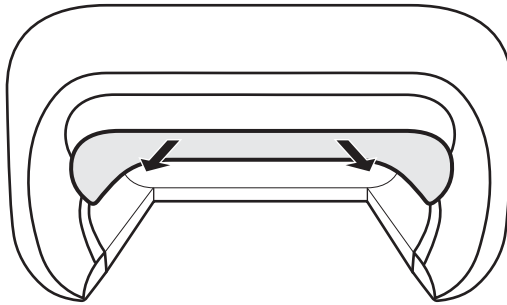
- ▶ Οι λαμπτήρες υπεριωδών επιτρέπεται να αντικαθίστανται μόνο μέσω λυχνιών του ίδιου τύπου. Μπορείτε να βρείτε τον ακριβή τύπο λαμπτήρα στο Κεφάλαιο «Τεχνικές πληροφορίες». Λυχνίες υπεριωδών αυτού του τύπου διατίθενται στα ειδικά καταστήματα.
- ◆ Τραβήξτε τον πάτο της συσκευής από τη συσκευή.



- ◆ Λασκάρετε τη βίδα με ένα σταυροκατσάβιδο.



- ◆ Απομακρύνετε το μπροστινό κάλυμμα.



- ◆ Τραβήξτε έξω το διαφανές προστατευτικό γυαλί.
- ◆ Τώρα μπορείτε να βγάλετε έξω την ελαττωματική λυχνία υπεριωδών από την υποδοχή.
- ◆ Εισάγετε τη νέα λυχνία υπεριωδών μέσα στην υποδοχή.
- ◆ Ωθήστε το διαφανές προστατευτικό γυαλί πάλι στη ράγα.
- ◆ Εισάγετε πάλι το μπροστινό κάλυμμα στη συσκευή και στερεώστε το με τη βίδα.
- ◆ Ωθήστε τον πάτο της συσκευής πάλι στη συσκευή.

Διόρθωση σφαλμάτων

Σε αυτό το κεφάλαιο λαμβάνετε σημαντικές υποδείξεις για τον εντοπισμό και τη διόρθωση των βλαβών. Προσέξτε τις υποδείξεις για να αποφύγετε τους κινδύνους και τις φθορές.

Υποδείξεις ασφαλείας

ΠΡΟΕΙΔΟΠΟΙΗΣΗ

Προσέξτε τις ακόλουθες υποδείξεις ασφαλείας, ώστε να αποφεύγετε κινδύνους και εμπράγματος ζημιές:

- ▶ Επισκευές στις ηλεκτρικές συσκευές επιτρέπεται να πραγματοποιούνται μόνο από εξειδικευμένα άτομα τα οποία έχουν εκπαιδευτεί από τον κατασκευαστή. Μέσω επισκευών μη σύμφωνων με τους κανονισμούς μπορεί να προκύψουν σημαντικοί κίνδυνοι για τον χρήστη και φθορές στη συσκευή.

Αιτίες σφαλμάτων και διόρθωση

Ο επόμενος πίνακας βοηθά στον εντοπισμό και στη διόρθωση μικρότερων βλαβών:

Σφάλμα	Πιθανή αιτία	Διόρθωση
Η συσκευή δεν μπορεί να ενεργοποιηθεί.	Το βύσμα δεν έχει εισαχθεί.	Εισάγετε το βύσμα στην πρίζα.
	Η πρίζα δεν παρέχει τάση.	Ελέγξτε τις οικιακές ασφάλειες.
Το τζελ UV 18 δεν σκληρύνει επαρκώς.	Έχει επιλεγεί σύντομος χρόνος εφαρμογής.	Ρυθμίστε έναν μεγαλύτερο χρόνο εφαρμογής.
	Μια ή περισσότερες λυχνίες υπεριωδών είναι ελαττωματικές.	Αντικαθιστάτε τις ελαττωματικές λάμπες UV (βλ. Κεφάλαιο «Αντικατάσταση λαμπών UV»)
	Έχει τοποθετηθεί πολύ τζελ UV 18 .	Χρησιμοποιήστε λιγότερο τζελ UV 18 .
Μετά τη σκλήρυνση, παραμένει μια «Στρώση διασποράς» επάνω στα νύχια.	Τα νύχια δεν ήταν ακριβώς κάτω από τους λαμπήρες υπεριωδών.	Κρατήστε το χέρι σας σωστά στη συσκευή υπεριωδών 1 .
	Η δημιουργία μιας «Στρώσης διασποράς» οφείλεται στον πολυμερισμό.	Απομακρύνετε τη «Στρώση διασποράς» με το διάλυμα φινιρίσματος 16 .
Τα τεχνητά νύχια γίνονται μαλακά/διαλυμένα.	Διαλυτότητα των τεχνητών νυχιών μέσω προϊόντων με υψηλή συγκέντρωση ακετόνης.	Μη χρησιμοποιείτε προϊόντα με υψηλή συγκέντρωση ακετόνης.
Τα τεχνητά νύχια παρουσιάζουν ανωμαλίες.	Η πίεση στο πινέλο 7 κατά την εφαρμογή του τζελ υπεριωδών 18 είναι πολύ υψηλή.	Κατά την εφαρμογή του τζελ υπεριωδών 18 μην πιέζετε πολύ δυνατά το πινέλο 7 .
	Έχει εφαρμοστεί τζελ UV 18 με ανομοιόμορφο τρόπο.	Εφαρμόστε μια περαιτέρω, λεπτή στρώση τζελ UV 18 και σκληρύνετε την.
Ένας λαμπήρας υπεριωδών δεν ανάβει.	Ελαττωματικός λαμπήρας υπεριωδών.	Αντικαταστήστε τον ελαττωματικό λαμπήρα υπεριωδών.

ΥΠΟΔΕΙΞΗ

- Εάν με τα ανωτέρω αναφερόμενα βήματα δεν μπορείτε να λύσετε το πρόβλημα, απευθυνθείτε στο τμήμα του σέρβις.

Αποθήκευση/Απορριψη

Αποθήκευση

ΠΡΟΣΟΧΗ

Κίνδυνος για την υγεία μέσω ουσιών που περιέχουν διαλυτικά!

Οι ουσίες που περιέχουν διαλυτικά και ο ατμοί τους μπορεί να οδηγήσουν σε βλάβες στην υγεία!

- ▶ Κλείνετε προσεκτικά όλα τα δοχεία των εσώκλειστων ουσιών.
- ▶ Αποθηκεύετε τις εσώκλειστες ουσίες σε χώρο μη προσβάσιμο από παιδιά.
- ◆ Εάν δεν πρόκειται να χρησιμοποιήσετε τη συσκευή για μεγάλο χρονικό διάστημα, αποσυνδέστε την από την παροχή ρεύματος και αποθηκεύστε την σε έναν καθαρό, στεγνό χώρο χωρίς απευθείας ηλιακή ακτινοβολία και εκτός εμβέλειας παιδιών.
- ◆ Αποθηκεύετε όλες τις ουσίες σε έναν καθαρό, στεγνό και δροσερό χώρο χωρίς απευθείας ηλιακή ακτινοβολία και εκτός εμβέλειας παιδιών.

Απόρριψη συσκευής



Σε καμία περίπτωση μην απορρίπτετε τη συσκευή και τις ουσίες στα φυσιολογικά οικιακά απορρίμματα. Αυτό το προϊόν υπόκειται στην Ευρωπαϊκή Οδηγία 2012/19/EU.

Απορρίπτετε τη συσκευή και τις ουσίες μέσω μιας εγκεκριμένης επιχείρησης απόρριψης ή μέσω της κοινοτικής επιχείρησης απόρριψης. Οι χημικές ουσίες υπόκεινται σε επεξεργασία επικίνδυνων αποβλήτων. Προσέχετε τις τρέχουσες ισχύουσες προδιαγραφές. Σε περίπτωση αμφιβολιών ελάτε σε επαφή με την επιχείρηση απόρριψης.

Παράρτημα

Υποδείξεις για τη Δήλωση Συμμόρφωσης Ε.Κ.


Αυτή η συσκευή αντιστοιχεί, αναφορικά με τη συμφωνία, με τις βασικές απαιτήσεις και με τις άλλες σχετικές προδιαγραφές...

- της ευρωπαϊκής Οδηγίας περί Ηλεκτρομαγνητικής Συμβατότητας 2014/30/EU,
- της Οδηγίας περί Χαμηλής Τάσης 2014/35/EU,
- της Οδηγίας RoHS 2011/65/EU.

Η πλήρης και γνήσια Δήλωση Συμμόρφωσης διατίθεται από τον εισαγωγέα.



Τεχνικές πληροφορίες

Μοντέλο	SNS 45 B4
Τάση λειτουργίας	220 - 240 V ~ / 50 Hz
Κατανάλωση ενέργειας	45 W
Θερμοκρασία λειτουργίας	+5 - +45 °C
Υγρασία (καμία συμπύκνωση)	5 - 90 %
Διαστάσεις (Υ x Π x Β)	περ. 12.6 x 20.9 x 27.5 εκ.
Βάρος	περ. 1240 γρ.
Αριθμός λαμπτήρων υπεριωδών	4
Τύπος λαμπτήρων υπεριωδών	υπεριωδών A -9W 365 nm, 9 W
Τύπος υπεριωδών της συσκευής	Λαμπτήρας υπεριωδών A Τύπος 3 υπεριωδών A -9 W
Αυτόματοι χρόνοι απενεργοποίησης	μετά από 90, 150 και 240 δευτερόλεπτα
Κατηγορία προστασίας	II 

Εγγύηση της Kompernass Handels GmbH

Αξιότιμη πελάτισσα, αξιότιμε πελάτη,

Η παρούσα συσκευή διαθέτει 3 χρόνια εγγύηση από την ημερομηνία αγοράς. Στην περίπτωση ελλείψεων στο προϊόν έχετε νομικά δικαιώματα έναντι του πωλητή του προϊόντος. Αυτά τα νομικά δικαιώματα δεν περιορίζονται μέσω της κατωτέρω αναφερόμενης εγγύησης.

Προϋποθέσεις εγγύησης

Η περίοδος εγγύησης ξεκινάει κατά την ημερομηνία αγοράς. Φυλάξτε καλά την πρωτότυπη απόδειξη ταμείου. Αυτό το έγγραφο απαιτείται ως απόδειξη για την αγορά.

Εάν, εντός τριών ετών από την ημερομηνία αγοράς, προκύψει στο προϊόν αυτό σφάλμα υλικού ή κατασκευής, κατόπιν κρίσης μας, επισκευάζουμε ή αντικαθιστούμε το προϊόν για εσάς δωρεάν. Η παρούσα εγγύηση προϋποθέτει ότι εντός της περιόδου τριών ετών η ελαττωματική συσκευή και η απόδειξη αγοράς (απόδειξη ταμείου) θα υποβληθούν μαζί με σύντομη περιγραφή σχετικά με το που βρίσκεται η έλλειψη και τότε προέκυψε.

Εάν το ελάττωμα καλύπτεται από την εγγύησή μας, θα λάβετε το επισκευασμένο ή ένα νέο προϊόν.

Περίοδος εγγύησης και νομικές απαιτήσεις λόγω ελλείψεων

Ο χρόνος εγγύησης δεν παρατείνεται μέσω της παροχής εγγύησης. Αυτό ισχύει και για εξαρτήματα, τα οποία έχουν αντικατασταθεί και επισκευαστεί. Ενδεχόμενες ήδη υπάρχουσες ζημιές και ελλείψεις κατά την αγορά πρέπει να γνωστοποιούνται αμέσως μετά την αποσυσκευασία. Μετά τη λήξη του χρόνου εγγύησης, τυχόν εμφανιζόμενες επισκευές χρεώνονται.

Εύρος εγγύησης

Η συσκευή κατασκευάστηκε σύμφωνα με αυστηρές οδηγίες ποιότητας και ελέγχθηκε προσεκτικά πριν από την αποστολή.

Η απόδοση εγγύησης ισχύει για σφάλματα υλικού ή κατασκευής. Η παρούσα εγγύηση δεν εκτείνεται σε τμήματα του προϊόντος, τα οποία εκτίθενται σε φυσιολογική φθορά και έτσι μπορεί να θεωρούνται εξαρτήματα φθοράς ή για ζημιές σε εύθραυστα εξαρτήματα, π.χ. διακόπτες, συσσωρευτές, ταψιά ή εξαρτήματα που είναι κατασκευασμένα από γυαλί.

Η παρούσα εγγύηση ακυρώνεται εάν προκληθεί ζημιά στο προϊόν, εάν δεν γίνεται σωστή χρήση ή συντήρηση. Για μια σωστή χρήση του προϊόντος πρέπει να τηρούνται επακριβώς οι αναφερόμενες υποδείξεις στις οδηγίες χειρισμού. Σκοποί χρήσης και χειρισμοί που δεν συνιστώνται ή για τους οποίους υπάρχει προειδοποίηση πρέπει απαραίτητα να αποφεύγονται.

Το προϊόν προορίζεται μόνο για ιδιωτική και όχι για επαγγελματική χρήση. Σε περίπτωση κακής μεταχείρισης και ακατάλληλης χρήσης, χρήσης βίας και παρεμβάσεων, οι οποίες δεν διεξήχθησαν από το εξουσιοδοτημένο μας τμήμα σέρβις, η εγγύηση παύει να ισχύει.

Διαδικασία σε περίπτωση εγγύησης

Για την εξασφάλιση γρήγορης επεξεργασίας του ζητήματός σας, τηρείτε τις ακόλουθες υποδείξεις:

- Για όλες τις ερωτήσεις έχετε έτοιμη την απόδειξη αγοράς και τον κωδικό προϊόντος (π.χ. IAN 12345) ως απόδειξη για την αγορά.
- Μπορείτε να βρείτε τον κωδικό προϊόντος στην πινακίδα τύπου, χαραγμένο, στην πρώτη σελίδα των οδηγιών σας (κάτω αριστερά) ή σε αυτοκόλλητο στην πίσω ή κάτω πλευρά.
- Εάν προκύψουν σφάλματα λειτουργίας ή άλλες ελλείψεις, επικοινωνήστε κατ' αρχήν με το ακόλουθο αναφερόμενο τμήμα σέρβις **τηλεφωνικά ή με E-Mail**.
- Ένα προϊόν που θεωρείται ελαττωματικό μπορείτε να το αποστείλετε ατελώς στην αναφερόμενη διεύθυνση του σέρβις επισυνάπτοντας την απόδειξη αγοράς (απόδειξη ταμείου) και αναφέροντας που βρίσκεται η έλλειψη και τότε εμφανίστηκε.



Στην ιστοσελίδα www.lidl-service.com μπορείτε να κατεβάσετε το παρόν και πολλά άλλα εγχειρίδια, βίντεο προϊόντων και λογισμικό.

Σέρβις

GR Σέρβις Ελλάδα
Tel.: 801 5000 019 (0,03 EUR/Min.)
E-Mail: kompernass@lidl.gr

CY Σέρβις Κύπρος
Tel.: 8009 4409
E-Mail: kompernass@lidl.com.cy

IAN 290465

Εισαγωγέας

Η ακόλουθη διεύθυνση δεν είναι διεύθυνση σέρβις. Επικοινωνήστε, κατ' αρχήν, με την αναφερόμενη υπηρεσία σέρβις.

KOMPERNASS HANDELS GMBH
BURGSTRASSE 21
DE-44867 BOCHUM
ΓΕΡΜΑΝΙΑ
www.kompernass.com

Inhaltsverzeichnis

Einführung	70	Auffüllen	91
Urheberrecht	70	French-Nails	92
Haftungsbeschränkung	70	Entfernen der Nagel-Tips	92
Bestimmungsgemäße Verwendung	70	Pflege	93
Warnhinweise	71		
Sicherheitshinweise	72	Reinigung	93
Gerät und Zubehör	79	Sicherheitshinweise	93
Aufstellen und Anschließen	80	Gerät reinigen	93
Sicherheitshinweise	80	Zubehör reinigen	94
Lieferumfang und		UV-Lampen wechseln	94
Transportinspektion	80	Fehlerbehebung	96
Auspacken	81	Sicherheitshinweise	96
Entsorgung der Verpackung	81	Fehlerursachen und -behebung	97
Anforderungen an den Aufstellort	81	Lagerung/Entsorgung	98
Elektrischer Anschluss	82	Lagerung	98
		Gerät entsorgen	98
Bedienung und Betrieb	83	Anhang	98
Ein- und Ausschalten	83	Hinweise zur	
Funktionen	83	EG-Konformitätserklärung	98
Anwendung	84	Technische Daten	99
Auswählen der Nagel-Tips	84	Garantie der	
Aufsetzen der Nagel-Tips	85	Kompernaß Handels GmbH	100
Nagelansatz anpassen	88	Service	101
Auftragen des UV-Gels	88	Importeur	101
Aushärten des UV-Gels	89		

Einführung

Herzlichen Glückwunsch zum Kauf Ihres neuen Gerätes.

Sie haben sich damit für ein hochwertiges Produkt entschieden. Die Bedienungsanleitung ist Bestandteil dieses Produkts. Sie enthält wichtige Hinweise für Sicherheit, Gebrauch und Entsorgung. Machen Sie sich vor der Benutzung des Produkts mit allen Bedien- und Sicherheitshinweisen vertraut. Benutzen Sie das Produkt nur wie beschrieben und für die angegebenen Einsatzbereiche. Händigen Sie alle Unterlagen bei Weitergabe des Produkts an Dritte mit aus.

Urheberrecht

Diese Dokumentation ist urheberrechtlich geschützt.

Jede Vervielfältigung bzw. jeder Nachdruck, auch auszugsweise, sowie die Wiedergabe der Abbildungen, auch im veränderten Zustand ist nur mit schriftlicher Zustimmung des Herstellers gestattet.

Haftungsbeschränkung

Alle in dieser Bedienungsanleitung enthaltenen technischen Informationen, Daten und Hinweise für den Anschluss und die Bedienung entsprechen dem letzten Stand bei Drucklegung und erfolgen unter Berücksichtigung unserer bisherigen Erfahrungen und Erkenntnisse nach bestem Wissen. Aus den Angaben, Abbildungen und Beschreibungen in dieser Bedienungsanleitung können keine Ansprüche hergeleitet werden. Der Hersteller übernimmt keine Haftung für Schäden aufgrund von Nichtbeachtung der Bedienungsanleitung, nicht bestimmungsgemäßer Verwendung, unsachgemäßen Reparaturen, unerlaubt vorgenommenen Veränderungen oder Verwendung nicht zugelassener Ersatzteile.

Bestimmungsgemäße Verwendung

Dieses Gerät ist nur zum Aufbringen und Fixieren von Nagel-Tips zu Manikürezwecken in geschlossenen Räumen und nur für den privaten Gebrauch bestimmt. Eine andere oder darüber hinausgehende Benutzung gilt als nicht bestimmungsgemäß.

WARNUNG

Gefahr durch nicht bestimmungsgemäße Verwendung!

Von dem Gerät können bei nicht bestimmungsgemäßer Verwendung und/oder andersartiger Nutzung Gefahren ausgehen.

- ▶ Das Gerät ausschließlich bestimmungsgemäß verwenden.
- ▶ Die in dieser Bedienungsanleitung beschriebenen Vorgehensweisen einhalten.

Ansprüche jeglicher Art wegen Schäden aus nicht bestimmungsgemäßer Verwendung, unsachgemäßen Reparaturen, unerlaubt vorgenommenen Veränderungen oder Verwendung nicht zugelassener Ersatzteile sind ausgeschlossen.

Das Risiko trägt allein der Betreiber.

Warnhinweise

In der vorliegenden Bedienungsanleitung werden folgende Warnhinweise verwendet:

GEFAHR

Ein Warnhinweis dieser Gefahrenstufe kennzeichnet eine drohende gefährliche Situation.

Falls die gefährliche Situation nicht vermieden wird, kann dies zum Tod oder zu schweren Verletzungen führen.

- ▶ Die Anweisungen in diesem Warnhinweis befolgen, um die Gefahr des Todes oder schwerer Verletzungen von Personen zu vermeiden.

WARNUNG

Ein Warnhinweis dieser Gefahrenstufe kennzeichnet eine mögliche gefährliche Situation.

Falls die gefährliche Situation nicht vermieden wird, kann dies zu Verletzungen führen.

- ▶ Die Anweisungen in diesem Warnhinweis befolgen, um Verletzungen von Personen zu vermeiden.

ACHTUNG

Ein Warnhinweis dieser Gefahrenstufe kennzeichnet einen möglichen Sachschaden.

Falls die Situation nicht vermieden wird, kann dies zu Sachschäden führen.

- ▶ Die Anweisungen in diesem Warnhinweis befolgen, um Sachschäden zu vermeiden.

HINWEIS

- ▶ Ein Hinweis kennzeichnet zusätzliche Informationen, die den Umgang mit dem Gerät erleichtern.

Sicherheitshinweise

Dieses Gerät entspricht den vorgeschriebenen Sicherheitsbestimmungen. Ein unsachgemäßer Gebrauch kann zu Personen- und Sachschäden führen.

- Eine Reparatur des Gerätes während der Garantiezeit darf nur von einem vom Hersteller autorisierten Kundendienst vorgenommen werden, sonst besteht bei nachfolgenden Schäden kein Garantieanspruch mehr.

GEFAHR

Lebensgefahr durch elektrischen Strom! Beim Kontakt mit unter Spannung stehenden Leitungen oder Bauteilen besteht Lebensgefahr!

Beachten Sie die folgenden Sicherheitshinweise, um eine Gefährdung durch elektrischen Strom zu vermeiden:

- ▶ Wenn die Netzanschlussleitung dieses Gerätes beschädigt wird, muss sie durch den Hersteller oder seinen Kundendienst oder eine ähnlich qualifizierte Person ersetzt werden, um Gefährdungen zu vermeiden.
- ▶ Stellen Sie das Gerät nicht im Bad auf.
- ▶ Schließen Sie das Gerät ausschließlich an einer abgesicherten Netzsteckdose an.
- ▶ Berühren Sie das Gerät und den Netzstecker nicht mit nassen Händen.
- ▶ Stellen Sie das Gerät niemals ins Wasser.
- ▶ Öffnen Sie auf keinen Fall das Gehäuse des Gerätes (ausgenommen beim Wechseln der UV-Lampe). Werden spannungsführende Anschlüsse berührt und der elektrische oder mechanische Aufbau verändert, besteht Stromschlag-Gefahr.

WARNUNG

Verletzungsgefahr durch ultraviolettes Licht (UV-Licht)!

Direkter Blick in das UV-Licht der UV-Lampen im Gerät kann zu Augenverletzungen und Minderung der Sehfähigkeit führen!

- ▶ Niemals direkt in das ultraviolette Licht der UV-Lampen blicken.
- ▶ UV-Lampen bei Nichtgebrauch ausschalten.
- ▶ Nicht-Anwender und insbesondere Kinder dürfen bei dem Betrieb des Geräts nicht anwesend sein.

⚠️ WARNUNG - VERLETZUNGSGEFAHR

- ▶ Kontrollieren Sie das Gerät vor der Verwendung auf äußere sichtbare Schäden. Nehmen Sie ein beschädigtes oder heruntergefallenes Gerät nicht in Betrieb.
- ▶ Kinder müssen beaufsichtigt werden, um sicherzustellen, dass sie nicht mit dem Gerät spielen.
- ▶ Blicken Sie niemals direkt in die UV-Lampen. Das kann zu Verletzungen der Augen führen!
- ▶ Bewahren Sie das Gerät und sämtliches Zubehör stets unzugänglich für Kinder auf.
- ▶ Beachten Sie die Hinweise auf den Behältern aller verwendeten Substanzen.
- ▶ Lassen Sie Reparaturen am Gerät nur von autorisierten Fachbetrieben oder dem Kundenservice durchführen. Durch unsachgemäße Reparaturen können Gefahren für den Benutzer entstehen. Zudem erlischt der Garantieanspruch.
- ▶ Defekte Bauteile dürfen nur gegen Original-Ersatzteile ausgetauscht werden. Nur bei diesen Teilen ist gewährleistet, dass sie die Sicherheitsanforderungen erfüllen.

⚠️ WARNUNG**Gefahr von Gesundheitsschäden durch lösemittelhaltige Substanzen und Dämpfe!**

Das Einatmen von lösemittelhaltigen Substanzen und Dämpfen kann zu Gesundheitsschäden führen!

- ▶ Dämpfe von lösemittelhaltigen Substanzen (z. B. Aceton) nicht einatmen.
- ▶ Für ausreichende Belüftung beim Umgang mit lösemittelhaltigen Substanzen sorgen.
- ▶ Hinweise auf den Behältern der lösemittelhaltigen Substanzen beachten.

⚠️ WARNUNG

Gefahr von Gesundheitsschäden durch chemische Substanzen!

Der unsachgemäße Umgang mit chemischen Substanzen kann zu schweren Gesundheitsschäden führen!

- ▶ Bei Verschlucken sofort einen Arzt aufsuchen!
- ▶ Bei allergischen Reaktionen sofort einen Arzt aufsuchen!
- ▶ Bei Kontakt mit den Augen oder Schleimhäuten sofort einen Arzt aufsuchen!

⚠️ HINWEISE ZUM UMGANG MIT DEN CHEMISCHEN SUBSTANZEN

Zu den chemischen Substanzen bei diesem Produkt zählen der Nagelkleber, die Finishing-Lösung, das UV-Gel und das French-Gel.

- ▶ Öffnen Sie die Tiegel und Fläschchen mit den chemischen Substanzen vorsichtig.
- ▶ Handhaben Sie die chemischen Substanzen vorsichtig und mit Bedacht.
- ▶ Die chemischen Substanzen sind augen-, sowie hautreizend.
- ▶ Die chemischen Substanzen können Hautreizungen hervorrufen (Sensibilisierung der Haut).
- ▶ Sorgen Sie für eine ausreichende Belüftung, während Sie mit den chemischen Substanzen arbeiten. Legen Sie bei unzureichender Belüftung ein Atemschutzgerät an.
- ▶ Benutzen Sie das UV-Gel, sowie das French-Gel niemals auf beschädigten oder krankhaften Nägeln oder zur Reparatur beschädigter Nägel.
- ▶ Die chemischen Substanzen dürfen nicht in die Hände von Kindern gelangen!

ACHTUNG - SACHSCHADEN

- ▶ Schützen Sie das Gerät vor Feuchtigkeit und vor dem Eindringen von Flüssigkeiten. Tauchen Sie das Gerät niemals in Wasser, stellen Sie das Gerät nicht in der Nähe von Wasser auf und stellen Sie keine mit Flüssigkeit gefüllten Gegenstände (z. B. Vasen) auf das Gerät.
- ▶ Stellen Sie keine Gegenstände auf das Gerät.
- ▶ Das Gerät nicht in der Nähe von offenen Flammen (z. B. Kerzen) betreiben.
- ▶ Vermeiden Sie direkte Sonneneinstrahlung.
- ▶ Das Netzkabel immer am Netzstecker aus der Steckdose ziehen, nicht am Netzkabel selbst.
- ▶ Ziehen Sie bei auftretenden Störungen und bei Gewitter den Netzstecker aus der Steckdose.

⚠️ WARNUNG - VERLETZUNGSGEFAHR!

- ▶ UV-Geräte dürfen nicht verwendet werden von:
- ▶ Personen, die unter Hautkrebs leiden oder dafür prädisponiert sind,
- ▶ Personen, die lichtempfindlichkeitssteigernde Medikamente erhalten,
- ▶ Personen unter 18 Jahren,
- ▶ Personen mit einer Neigung zu Sommersprossen,
- ▶ Personen mit natürlicher roter Haarfarbe,
- ▶ Personen mit ungewöhnlichen Hautverfärbungen,
- ▶ Personen mit mehr als 16 Leberflecken (mit einem Durchmesser von mindestens 2 mm) auf dem Körper,
- ▶ Personen mit atypischen Leberflecken (atypische Leberflecken sind asymmetrische Leberflecken mit einem Durchmesser von mehr als 5 mm und unterschiedlicher Pigmentierung sowie unregelmäßigen Randbereichen; wenden Sie sich im Zweifelsfall an Ihren Arzt),
- ▶ Personen, die an einem Sonnenbrand leiden,
- ▶ Personen, die bei Sonneneinstrahlung nicht ohne Hautverbrennungen bräunen,
- ▶ Personen, die bei Sonneneinstrahlung schnell unter Hautverbrennungen leiden,
- ▶ Personen, die während ihrer Kindheit häufig einen schweren Sonnenbrand erlitten haben,
- ▶ Personen, die unter Hautkrebs leiden oder daran erkrankt waren oder für Hautkrebs anfällig sind,
- ▶ Personen mit einem Verwandten ersten Grades, der schon einmal an einem Melanom (schwarzer Hautkrebs) erkrankt ist,
- ▶ Personen, die aufgrund einer Lichtempfindlichkeitserkrankung in ärztlicher und medizinischer Behandlung sind,
- ▶ Personen, die überhaupt nicht bräunen können oder nicht bräunen können, ohne einen Sonnenbrand zu bekommen, wenn sie der Sonne ausgesetzt sind,
- ▶ Personen, die leicht einen Sonnenbrand bekommen, wenn sie der Sonne ausgesetzt sind,
- ▶ schwangeren Personen.

- Die Bestrahlung sollte nicht die minimale Erythem-Dosis (MED) überschreiten. Wenn ein Erythem (Hautrötung) einige Stunden nach der Bestrahlung auftritt, sollte von weiteren Anwendungen abgesehen werden. Die nächste Bestrahlung darf in diesem Fall erst eine Woche nach dem Zeitpunkt der Hautrötung stattfinden.
- Wenn unerwartete Nebenwirkungen wie etwa Juckreiz innerhalb von 48 Stunden nach der ersten Anwendung des UV-Geräts auftreten, sollten Sie sich vor weiteren UV-Bestrahlungen an einen Arzt wenden.
- Empfohlener Bestrahlungszeitplan:
 - Führen Sie nicht mehr als 5 Behandlungen pro Tag durch. Das kann zu Hautirritationen führen.
 - Überschreiten Sie die empfohlene Anzahl von 400 Behandlungen pro Jahr nicht.
- Das Gerät darf nicht verwendet werden, wenn die Zeitschaltuhr nicht richtig funktioniert.
- Verwenden Sie nur Leuchtmittel des vorgeschriebenen Typs. Die Verwendung eines UV-Leuchtmittels von einem anderen Hersteller oder Typs, führt zur Erlöschung des Garantienanspruchs.
- UV-Strahlung der Sonne oder durch UV-Geräte kann Haut- oder Augenschäden verursachen, die irreversibel sein können. Diese biologischen Effekte hängen von der Qualität und Menge der Bestrahlung sowie von der Haut- oder Augenempfindlichkeit der einzelnen Person ab.
- Die Haut kann nach übermäßiger Bestrahlung einen Sonnenbrand erleiden. Zu häufige UV-Bestrahlung durch die Sonne oder UV-Geräte kann zu einer vorzeitigen Hautalterung führen und das Hautkrebsrisiko erhöhen. Dieses Risiko erhöht sich mit zunehmender kumulativer UV-Bestrahlung. UV-Strahlung in jungem Alter erhöht das spätere Hautkrebsrisiko.
- UV-Strahlung kann zu Verletzungen an Augen und Haut führen, wie zum Beispiel vorzeitige Hautalterung oder sogar Hautkrebs.

Lesen Sie die Bedienungsanleitung sorgfältig. Einige Medikamente oder Kosmetika erhöhen die Sensibilität gegenüber UV-Strahlung.

- Das ungeschützte Auge kann oberflächliche Entzündungen erleiden und in einigen Fällen können nach übermäßiger Bestrahlung Schäden an der Netzhaut entstehen. Häufig wiederholte Bestrahlungen können zu grauem Star führen.
- Bei festgestellter individueller Empfindlichkeit gegen oder allergischen Reaktionen auf UV-Strahlung sollten Sie vor dem Beginn der Bestrahlung ärztlichen Rat einholen.
- Bestimmte Erkrankungen oder die Nebenwirkungen bestimmter Medikamente können durch die UV-Bestrahlung verschlimmert werden. Wenden Sie sich im Zweifelsfall an einen Arzt.
- Zwischen den ersten beiden Bestrahlungen sollte mindestens ein Zeitraum von 48 Stunden liegen.
- Vermeiden Sie Sonnenbäder und die Anwendung des Geräts am selben Tag. Das kann zu Hautirritationen führen.
- Befolgen Sie die Anweisungen zur Bestrahlungsdauer, zu den Bestrahlungsintervallen und dem Abstand zur Lampe. Ansonsten kann es zu Hautirritationen führen.
- Wenden Sie sich an einen Arzt, wenn hartnäckige Geschwulste oder Geschwüre oder Veränderungen an Leberflecken auftreten oder sich wunde Stellen bilden.
- Schützen Sie empfindliche Hautbereiche wie Narben, Tätowierungen und Genitalien vor der Bestrahlung.
- Führen Sie nicht mehr als 5 Behandlungen pro Tag durch. Das kann zu Hautirritationen führen.
- Überschreiten Sie die empfohlene Anzahl von 400 Behandlungen pro Jahr nicht.
- Entfernen Sie Kosmetik und Sonnenschutzprodukte vor der Inbetriebnahme des Gerätes. Ansonsten kann es zu Hautirritationen führen.

HINWEIS

- Erkundigen Sie sich im Zweifelsfall vor Benutzung des Gerätes bei Ihrem Arzt über die Anwendungsmöglichkeit.

Gerät und Zubehör

HINWEIS

► Siehe hierzu Abbildungen auf der Ausklappseite.

Abbildung A:

- ❶ UV-Gerät mit 4 eingebauten UV-Lampen
- ❷ EIN-/AUS-Schalter
- ❸ Zeitauswahl-Taste (SELECT)
- ❹ Start-Taste

Abbildung B:

- ❺ Nagelschneider (zum Schneiden der Nagel-Tips)
- ❻ Pferdefüßchen (zum Zurückschieben der Nagelhaut)
- ❼ Pinsel (zum Auftragen des UV-Gels)
- ❽ Schleifblock (zum Glätten von Unebenheiten)
- ❾ Polierfeile fein (zum Polieren der Nägel „shine“)
- ❿ Polierfeile mittel (zum Polieren der Nägel „condition“)
- ⓫ Polierfeile grob (zum Polieren der Nägel „clean“)
- ⓬ Zelletten (zum Auftragen der Finishing-Lösung oder zur Korrektur)
- ⓭ Spot Swirl (zum Auftragen von French-Gel oder Deko-Elementen)
- ⓮ Sandblatt-Feile (zum Feilen der Nägel)
- ⓯ Nagel-Tips (künstliche Fingernägel)
- ⓰ Finishing-Lösung (zur Endbehandlung und für die Pinselreinigung)
- ⓱ Nagelkleber (zum Aufkleben der Nagel-Tips „GLUE“)
- ⓲ UV-Gel (zum Auffüllen der Nägel)
- ⓳ French-Gel (zum Modellieren von „French-Nails“)
- ⓴ Nagelöl (zur Pflege der Nagelhaut „Nail-Care“)

Aufstellen und Anschließen

Sicherheitshinweise

WARNUNG

Bei der Inbetriebnahme des Gerätes können Personen- und Sachschäden auftreten!

Beachten Sie die folgenden Sicherheitshinweise, um die Gefahren zu vermeiden:

- ▶ Verpackungsmaterialien dürfen nicht zum Spielen verwendet werden. Es besteht Erstickungsgefahr.
- ▶ Beachten Sie die Hinweise zu den Anforderungen an den Aufstellort sowie zum elektrischen Anschluss des Gerätes, um Personen- und Sachschäden zu vermeiden.

Lieferumfang und Transportinspektion

Das Gerät wird standardmäßig mit folgenden Komponenten geliefert:

- UV-Gerät mit 4 UV-Lampen und Netzkabel
- Sandblatt-Feile
- Polierfeilen (grob, mittel, fein)
- Schleifblock
- Nagel-Tips
- Pferdefußchen
- Pinsel
- Spot Swirl
- Nagelschneider
- 1 Tiegel French-Gel („French-Gel“)
- 2 Tiegel UV-Gel („UV-Gel“)
- Finishing-Lösung („Finishing“)
- 2 Flaschen Nagelkleber („Glue“)
- 1 Flasche Nagelöl („Nail-Care“)
- 100 Zelletten (Zellstofftücher)
- Aufbewahrungstasche
- Bedienungsanleitung

HINWEIS

- ▶ Prüfen Sie die Lieferung auf Vollständigkeit und auf sichtbare Schäden.
- ▶ Bei einer unvollständigen Lieferung oder bei Schäden infolge mangelhafter Verpackung oder durch Transport wenden Sie sich an die Service-Hotline (siehe Kapitel **Service**).

Auspacken

- ◆ Entnehmen Sie alle Teile des Gerätes und die Bedienungsanleitung aus dem Karton.
- ◆ Entfernen Sie sämtliches Verpackungsmaterial.

Entsorgung der Verpackung

Die Verpackung schützt das Gerät vor Transportschäden. Die Verpackungsmaterialien sind nach umweltverträglichen und entsorgungstechnischen Gesichtspunkten ausgewählt und deshalb recyclebar.



Die Rückführung der Verpackung in den Materialkreislauf spart Rohstoffe und verringert das Abfallaufkommen. Entsorgen Sie nicht mehr benötigte Verpackungsmaterialien gemäß den örtlich geltenden Vorschriften.

HINWEIS

- ▶ Heben Sie wenn möglich die Originalverpackung während der Garantiezeit des Gerätes auf, um das Gerät im Garantiefall ordnungsgemäß verpacken zu können.

Anforderungen an den Aufstellort

Für einen sicheren und fehlerfreien Betrieb des Gerätes muss der Aufstellort folgende Voraussetzungen erfüllen:

- Stellen Sie das Gerät auf eine feste, waagerechte und trockene Unterlage.
- Stellen Sie das Gerät nicht in einer nassen Umgebung und nicht im Spritzwasser-Bereich auf.
- Stellen Sie das Gerät nicht direkt neben einem Heizkörper oder einem Heizstrahler auf.
- Die Steckdose muss gut zugänglich sein, so dass der Netzstecker notfalls leicht abgezogen werden kann.

Elektrischer Anschluss

GEFAHR

Lebensgefahr durch elektrischen Strom!

Beim Kontakt mit unter Spannung stehenden Leitungen oder Bauteilen besteht Lebensgefahr!

Beachten Sie die folgenden Sicherheitshinweise um eine Gefährdung durch elektrischen Strom zu vermeiden:

- ▶ Benutzen Sie das Gerät nicht, wenn der Netzstecker oder das Netzkabel beschädigt ist.
- ▶ Schließen Sie das Gerät ausschließlich an einer abgesicherten Netzsteckdose an.
- ▶ Berühren Sie das Gerät und den Netzstecker nicht mit nassen Händen.
- ▶ Vermeiden Sie Wasserkontakt mit dem Gerät.
- ▶ Öffnen Sie auf keinen Fall das Gehäuse des Gerätes (außer beim Wechseln der UV-Lampen). Werden spannungsführende Anschlüsse berührt und der elektrische oder mechanische Aufbau verändert, besteht Stromschlag-Gefahr.

- ◆ Vergleichen Sie vor dem Anschließen des Gerätes die Anschlussdaten (Spannung und Frequenz) auf dem Typenschild am Gerät mit denen Ihres Elektronetzes. Diese Daten müssen übereinstimmen, damit keine Schäden am Gerät auftreten.
- ◆ Vergewissern Sie sich, dass das Netzkabel des Gerätes unbeschädigt ist und nicht über heiße Flächen und/oder scharfe Kanten verlegt wird.
- ◆ Achten Sie darauf, dass das Netzkabel nicht straff gespannt oder geknickt wird.
- ◆ Lassen Sie das Netzkabel nicht über Ecken hängen (Stolperdrahteffekt).
- ◆ Stecken Sie den Netzstecker in die Steckdose.

Bedienung und Betrieb

In diesem Kapitel erhalten Sie wichtige Hinweise zur Bedienung und zum Betrieb des Gerätes.

HINWEIS

- ▶ Siehe hierzu Kapitel **Gerät und Zubehör**.

Ein- und Ausschalten

- ◆ Schalten Sie das UV-Gerät **1** durch Drücken des EIN-/AUS-Schalters **2** in Stellung „I“ ein. Sobald das Gerät eingeschaltet ist, leuchten die blauen Punkte auf dem Gerät.
- ◆ Schalten Sie das UV-Gerät **1** durch Drücken des EIN-/AUS-Schalters **2** in Stellung „O“ wieder aus.

Funktionen

Am Gerät können drei verschiedene Behandlungszeiten eingestellt werden:

- 90 Sekunden
- 150 Sekunden
- 240 Sekunden

- ◆ Drücken Sie die Start-Taste **4**. „90“ leuchtet auf und die UV-Lampen schalten sich ein.
- ◆ Wenn Sie eine andere Zeit wählen wollen, drücken Sie die Zeitauswahl-Taste (SELECT) **3** so oft, bis die gewünschte Zeit aufleuchtet.

HINWEIS

- ▶ Die UV-Lampen schalten sich nach Ablauf der voreingestellten Zeit automatisch wieder aus.
- ◆ Drücken Sie die Start-Taste **4** und die Zeitauswahl-Taste **3** für jede weitere Behandlung wie oben beschrieben erneut.

Anwendung

ACHTUNG

Gefahr von Sachschaden durch Kleber und UV-Gel.

Nagelkleber **17**, UV-Gel **18** und French-Gel **19** lassen sich nur schwer von Möbeloberflächen, Kleidung und Teppichen entfernen.

- ▶ Decken Sie den Arbeitsbereich vor der Anwendung mit Papier oder mit einem Handtuch ab.

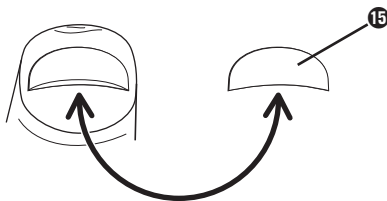
HINWEIS

- ▶ Stellen Sie das UV-Gerät **1** auf eine abgedeckte und stabile Unterlage.
- ▶ Stellen Sie den Nagelkleber **17**, das French-Gel **19** und das UV-Gel **18** niemals in der Nähe des UV-Gerätes **1** auf.
- ▶ Setzen Sie den Nagelkleber **17**, das French-Gel **19** und das UV-Gel **18** niemals direkter Sonnenbestrahlung aus.

Auswählen der Nagel-Tips

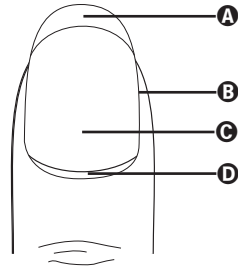
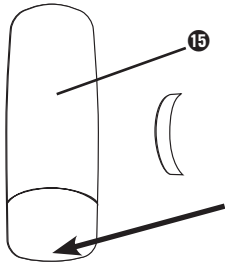
HINWEIS

- ▶ Bei der ersten Anwendung kann es hilfreich sein, sich von einer erfahrenen Person unterstützen zu lassen.
 - ▶ Ziehen Sie vor der Anwendung jeglichen Schmuck von den Händen ab.
 - ▶ Reinigen und trocknen Sie Ihre Hände vor der Anwendung. Wir empfehlen die Hände ca. 15 - 20 Minuten vor der Behandlung zu waschen, damit sich keine Restfeuchtigkeit an den Nägeln befindet.
- ◆ Wählen Sie einen Nagel-Tip **15**, dessen Krümmung so genau wie möglich der Krümmung Ihres Naturnagels entspricht.



- ◆ Wählen Sie einen Nagel-Tip **15**, der exakt am Rand Ihres Naturnagels abschließt, wobei die Seiten parallel zu Ihrem Naturnagel sind.

- ◆ Falls nötig, feilen Sie mit der Sandblatt-Feile **14** das Ende des Nagel-Tips **15** ab, sodass der Endpunkt (Pfeil) ca. ein Drittel Ihres Naturnagels abdeckt.



- A** freier Rand
- B** Nagelbett
- C** Nagelplatte
- D** Nagelhaut

HINWEIS

- ▶ Wenn Sie einen zu kleinen Nagel-Tip **15** verwenden, kann er leichter abbrechen. Wählen Sie daher einen größeren Nagel-Tip **15** und feilen Sie die Seiten in Form.
- ◆ Wiederholen Sie den beschriebenen Vorgang, bis alle Nägel die gewünschte Länge und Form haben.

Aufsetzen der Nagel-Tips

HINWEIS

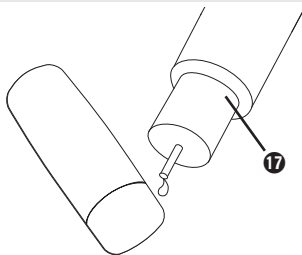
- ▶ Beachten Sie, dass Nägel bei Wasserkontakt Feuchtigkeit aufnehmen. Die Nägel müssen jedoch vor der Anwendung vollständig trocken sein.
- ▶ Benutzen Sie vor der Anwendung keine Handcreme oder ähnliches, da die Nageloberfläche völlig fettfrei sein muss, um eine optimale Haftung der Nagel-Tips **15** zu ermöglichen.
- ◆ Schieben Sie die Nagelhaut **D** mit dem Pferdefüßchen **6** zurück und entfernen Sie die transparente Haut von der Nagelplatte **C** Ihres Fingers.
- ◆ Behandeln Sie nun die Nageloberfläche mit dem Schleifblock **8**, bis der Fingernagel nicht mehr glänzt.
- ◆ Entfernen Sie den Schleifstaub mit einem Papiertuch oder einer Zellette **12**.
- ◆ Reiben Sie die Nägel mit der Finishing-Lösung **16** ab, damit letzte Staub- und Fettreste entfernt werden.

HINWEIS

- ▶ Berühren Sie nun auf keinen Fall die Nageloberfläche mit Ihren Fingern, da diese sonst wieder fettig wird und eine gute Haftung verhindert!
- ◆ Geben Sie einen kleinen Tropfen Nagelkleber **17** auf den unteren Teil des Nagel-Tips **15** und verteilen Sie ihn mit Hilfe des Fläschchens des Nagelklebers **17** auf der unteren Fläche. Halten Sie den Nagel-Tip **15** nach unten, damit der Nagelkleber **17** nicht auf den oberen Teil des Nagel-Tips **15** läuft.

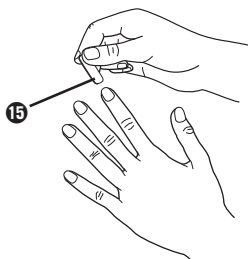
HINWEIS

- ▶ Tupfen Sie den Nagel-Tip **15** kurz an einer Zelle **12** ab, um überschüssigen Nagelkleber **17** zu entfernen.



HINWEIS

- ▶ Sie müssen die Flasche des Nagelklebers **17** vor der ersten Benutzung mit einem spitzen Gegenstand, z. B. einer Nadel, aufstechen. Sollte bei späterer Benutzung die Flasche des Nagelklebers **17** verstopft sein, können Sie diese mit einer Nadel auch wieder gängig machen.
- ◆ Setzen Sie nun den Nagel-Tip **15** schräg auf den Naturnagel auf, dass die vorgegebene Kante des Nagel-Tips **15** an der Kante des Naturnagels liegt.
- ◆ Kippen Sie den Nagel-Tip **15** nun mit leichtem Druck auf den Naturnagel, so dass eventuelle Lufteinschlüsse herausgedrückt werden.

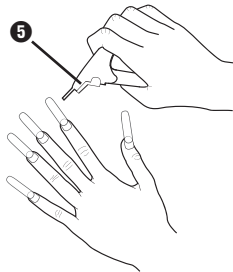


HINWEIS

- ▶ Wischen Sie überschüssigen Nagelkleber **17** mit einer Zellette **12**.
- ◆ Halten Sie den Nagel-Tip **15** 10-12 Sekunden fest und pressen Sie ihn dabei mit genügend Druck auf den Naturnagel. Achten Sie darauf, dass keine Luftblasen entstehen und der Tip absolut gerade aufgeklebt wird.

HINWEIS

- ▶ Es darf keine Lücke mehr unter dem Nagel sein, damit kein Schmutz eindringen kann.
- ▶ Achten Sie darauf, dass sich keine Luftblasen oder weiße Flecken unter dem Nagel-Tip **15** bilden. Nehmen Sie in diesem Fall den Nagel-Tip **15** sofort wieder ab und legen Sie ihn erneut auf.
- ◆ Wenn Sie alle Nagel-Tips **15** angeklebt haben, schneiden Sie sie mit dem Nagelschneider **5** auf die gewünschte Länge zu. Drücken Sie den Nagelschneider **5** in einem Zug zu. Wenn Sie zu langsam drücken, kann es passieren, dass die Nagel-Tips **15** splintern.



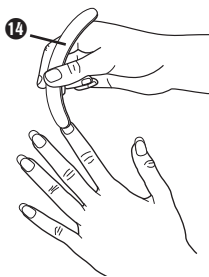
- ◆ Feilen Sie sie mit der Sandblatt-Feile **14** in Form.

HINWEIS

- ▶ Feilen Sie sehr vorsichtig, da die Nagel-Tips **15** nur mit Nagelkleber **17** fixiert sind.
- ▶ Falls Sie lange Nägel nicht gewohnt sind, schneiden Sie die Nagel-Tips **15** vorher etwas zu, um ein Anstoßen und Abfallen der Nagel-Tips **15** zu vermeiden.

Nagelansatz anpassen

- ◆ Feilen Sie den Übergang vom Nagel-Tip **15** zum Naturnagel vorsichtig mit der Sandblatt-Feile **14**, bis dieser sich der Kontur des Naturnagels anpasst. Feilen Sie ausschließlich den Nagel-Tip **15**! Beschädigen Sie nicht Ihren Naturnagel.
- ◆ Feilen Sie die Nagelseiten vorsichtig mit der Sandblatt-Feile **14**, bis sie gerade sind und keine „Flügel“ aufweisen.
- ◆ Feilen Sie den Nagel-Tip **15** erst mit der Sandblatt-Feile **14** und danach mit dem Schleifblock **8**. Der Nagel-Tip **15** darf nicht mehr glänzen.
- ◆ Wiederholen Sie diese Schritte für jeden einzelnen Nagel.



- ◆ Entfernen Sie den Schleifstaub mit einem Papiertuch oder einer Zellette **12**.

Auftragen des UV-Gels

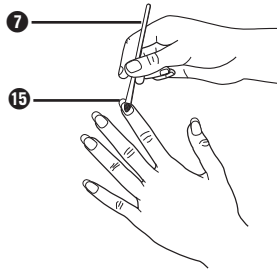
- ◆ Nehmen Sie mit dem Pinsel **7** eine kleine Menge UV-Gel **18** und streichen Sie eine Seite des Pinsels **7** am Rand der UV-Gel-Dose wieder ab.
- ◆ Tragen Sie eine dünne Schicht UV-Gel **18** auf den kompletten Nagel auf. Auf dem unteren Teil des Nagels tragen Sie etwas mehr UV-Gel **18** auf, da hiermit der Ausgleich zwischen Natur- und Kunstnagel geschaffen wird. Des Weiteren ist der Übergang von Natur- zu Kunstnagel besonders empfindlich gegenüber Belastungen und Stößen, daher muss hier mehr UV-Gel **18** aufgetragen werden.

HINWEISE

- ▶ Drücken Sie beim Auftragen nicht zu stark auf den Pinsel **7**, da der Pinsel **7** andernfalls Streifenbildung verursacht.
- ▶ Modellieren Sie die erste Schicht des UV-Gels **18** besonders sorgfältig, da diese die spätere Form des Nagels bestimmt. Modellieren Sie eine möglichst natürliche Nagelform.
- ◆ Halten Sie beim Auftragen ca. 1 mm Abstand zur Nagelhaut.

HINWEIS

- ▶ Sollte versehentlich UV-Gel **18** auf die Nagelhaut oder das Nagelbett gelangen, entfernen Sie es vor dem Aushärten, z. B. mit einem Wattestäbchen.
- ◆ Wiederholen Sie den beschriebenen Vorgang bei allen Nägeln.



HINWEIS

- ▶ Achten Sie darauf, dass der Nagel gleichmäßig mit UV-Gel **18** bedeckt ist.

Aushärten des UV-Gels

HINWEIS

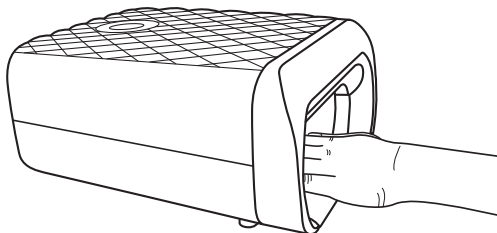
- ▶ Siehe hierzu Kapitel **Bedienung und Betrieb**.
- ◆ Schalten Sie das UV-Gerät **1** am EIN-/AUS-Schalter **2** ein.
- ◆ Drücken Sie die Start-Taste **4**.
- ◆ Wählen Sie mit der Zeitauswahl-Taste **3** die gewünschte Behandlungszeit. Für das erste Aushärten empfehlen wir die Zeiteinstellung 240 Sekunden.
- ◆ Halten Sie Ihre Hand mit den Nägeln nach oben für die Dauer der eingestellten Behandlungszeit in die Öffnung des UV-Gerätes **1**.
- ◆ Behandeln Sie den Daumnagel separat, da das UV-Licht diesen, wenn man die Hand in das UV-Gerät **1** hält, nur seitlich trifft.
- ◆ Wiederholen Sie das Auftragen des UV-Gels **18** und das Aushärten im UV-Gerät **1** wie beschrieben noch einmal.

HINWEIS

- ▶ Um mehr Stabilität für den Nagel zu erhalten, tragen Sie mehrere dünne Schichten UV-Gel **18** auf und härten Sie diese jeweils aus.

HINWEIS

- ▶ Nach Ablauf der voreingestellten Behandlungsdauer werden die UV-Lampen automatisch abgeschaltet.
- ▶ Für jede erneute Behandlung muss die Start-Taste **4** und die Zeitauswahl-Taste **3** erneut betätigt werden.



- ◆ Untersuchen Sie jeden Nagel nach Auftragen und Aushärten aller Schichten auf Unebenheiten, kleine Kratzer oder Rillen.
- ◆ Wenn Sie Unebenheiten entdecken, tragen Sie eine weitere, dünne Schicht UV-Gel **18** auf und härten Sie den Nagel mit der Einstellung 150 Sekunden oder 90 Sekunden (je nach Menge des aufgetragenen UV-Gels **18**).

Auch nach dem Aushärten der letzten Gel-Schicht können sich die Nägel etwas klebrig anfühlen („Schwitzschicht“ bzw. Polymerisationsschicht).

- ◆ Befeuchten Sie eine Zellette **12** mit Finishing-Lösung **15** und wischen Sie damit über den Nagel.



TIPP

- ▶ Wenn Sie Verzierungen oder kleine Strasssteinchen auf den Nagel aufbringen wollen, platzieren Sie diese mit der spitzen Seite des Spot-Swirls 13 in die noch nicht ausgehärtete letzte Schicht des UV-Gels 18. Härten Sie dann das UV-Gel 18 aus.
Damit die Verzierungen besser halten, geben Sie noch eine weitere, sehr dünne Schicht UV-Gel 18 über den Nagel und härten es aus. So sind die Verzierungen besser geschützt.
- ◆ Tragen Sie zum Schluss einen Klarlack auf die Nägel, damit diese glänzen.
- ◆ Zur Pflege tragen Sie etwas Nagelöl 20 auf die Nagelhaut auf.

Auffüllen

HINWEIS

- ▶ Da der Naturnagel weiter wächst, kann sich der Ansatz des Nagel-Tips 15 im Laufe der Zeit abheben. Deshalb muss der Spalt zwischen der Nagelhaut und dem Nagelansatz von Zeit zu Zeit aufgefüllt werden.
- ▶ Ein Auffüllen ist etwa alle 2 - 3 Wochen erforderlich.
- ◆ Feilen Sie mit der Sandblatt-Feile 14 um die Ansätze des ausgehärteten Gels herum.
- ◆ Verwenden Sie den Schleifblock 8, bis der Nagel nicht mehr glänzt.
- ◆ Tragen Sie danach wieder UV-Gel 18 auf und härten Sie dieses erneut.

HINWEIS

- ▶ Siehe hierzu die vorigen Kapitel **Auftragen des UV-Gels, Aushärten des UV-Gels.**

French-Nails

Unter „French Nails“ versteht man die Gestaltung der Fingernägel mit einer weißen Spitze.

- ◆ Modellieren Sie die Nägel wie im Kapitel „Anwendung“ beschrieben, bis Sie die erste Schicht UV-Gel **13** aufgetragen und ausgehärtet haben.
- ◆ Benutzen Sie nun die runde Applikationsseite des Spot Swirls **13**, um an der Nagelspitze French-Gel **19** aufzutragen. Nehmen Sie immer wieder neues French-Gel **19** mit der Spitze auf und modellieren Sie mit leicht kreisenden Bewegungen die weiße Nagelspitze.
- ◆ Verfahren Sie mit den anderen Nägeln genauso.
- ◆ Härten Sie dann die Nägel mit der Einstellung 150 Sekunden.
- ◆ Tragen Sie dann eine weitere Schicht UV-Gel **13** auf. Tragen Sie etwas weniger UV-Gel **13** auf dem weißen Teil des Nagels auf, als auf dem Rest. So verschwindet die Stufe zur weißen Spitze.
- ◆ Härten Sie dann die Nägel mit der Einstellung 150 Sekunden. Nach dem Aushärten der letzten Gel-Schicht können sich die Nägel etwas klebrig anfühlen („Schwitzschicht“ bzw. Polymerisationsschicht).
- ◆ Befeuchten Sie eine Zellette **12** mit Finishing-Lösung **15** und wischen Sie damit über den Nagel.

Entfernen der Nagel-Tips

ACHTUNG

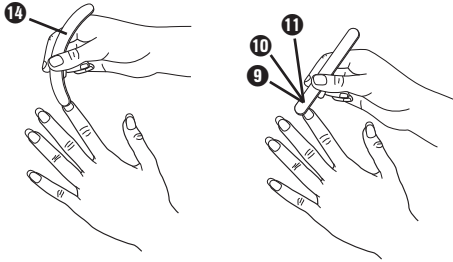
Beschädigungsgefahr der Naturnagel-Oberfläche!

Gewaltsames Abbrechen der Nagel-Tips **15** kann zu Beschädigung der Naturnagel-Oberfläche führen!

- ▶ Brechen Sie die Nagel-Tips **15** nicht von den Naturnägeln ab.
- ▶ Entfernen Sie die Nagel-Tips **15** ausschließlich gemäß der nachfolgenden Beschreibung.
- ◆ Feilen Sie zuerst die Nägel mit der Sandblatt-Feile **14** ganz zurück.
- ◆ Feilen Sie dann die Nagel-Tips **15** mit der Sandblatt-Feile **14** ab.
- ◆ Polieren Sie Ihre Nägel mit den Polierfeilen **9** **10** **11**.

TIPP

- ▶ Tragen Sie anschließend zur Pflege Ihrer Naturnägel etwas Nagelöl **20** auf.



Pflege

- Feilen Sie die Ansätze und Nagelränder regelmäßig.
- Benutzen Sie regelmäßig das Nagelöl 20 oder eine Handcreme.
- Verwenden Sie beim Auftragen von Nagellack eine untere Schicht sowie eine Deckschicht.
- Verwenden Sie zum Entfernen von Nagellack keine acetonhaltigen Nagellack-Entferner, da die künstlichen Nägel hierbei angelöst und beschädigt werden.
- Tragen Sie bei der Verwendung von Wasch- oder Bleichmittel Gummihandschuhe.
- Tragen Sie bei allen Arbeiten/Tätigkeiten, welche die Nägel beschädigen können, Gummihandschuhe.

Reinigung

Sicherheitshinweise

⚠ GEFAHR

Lebensgefahr durch elektrischen Strom!

- ▶ Ziehen Sie den Netzstecker aus der Steckdose, bevor Sie mit der Reinigung des Gerätes beginnen.

ACHTUNG

Beschädigung des Gerätes!

- ▶ Stellen Sie sicher, dass bei der Reinigung keine Feuchtigkeit in das UV-Gerät 1 eindringt, um eine irreparable Beschädigung des Gerätes zu vermeiden.

Gerät reinigen

- ◆ Reinigen Sie die Oberflächen des UV-Gerätes 1 nur mit einem weichen, trockenen Tuch. Wischen Sie die Bodenplatte mit einem feuchten Tuch ab.

Zubehör reinigen

HINWEIS

- ▶ Reinigen Sie den Pinsel **7** und den Spot Swirl **13** unmittelbar nach jedem Gebrauch.
- ▶ Verschließen Sie stets alle Fläschchen und Töpfchen nach Gebrauch.
- ◆ Halten Sie den Pinsel **7** und den Spot Swirl **13** in die Finishing-Lösung **16** und wischen Sie beides an einem Papiertuch ab.

UV-Lampen wechseln

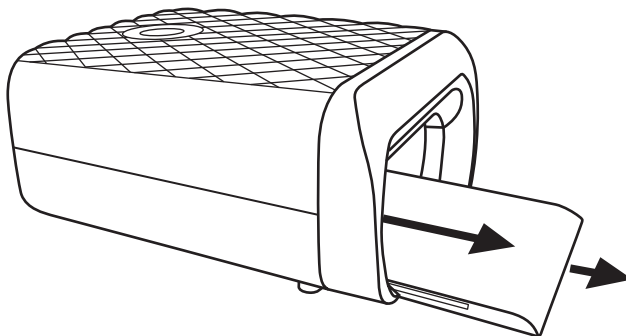
⚠ GEFAHR

Lebensgefahr durch elektrischen Strom!

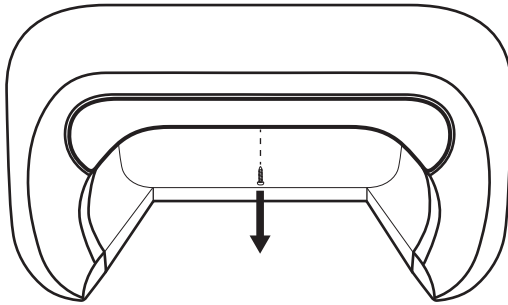
- ▶ Ziehen Sie den Netzstecker aus der Steckdose, bevor Sie mit dem Auswechseln der UV-Lampen beginnen!

HINWEIS

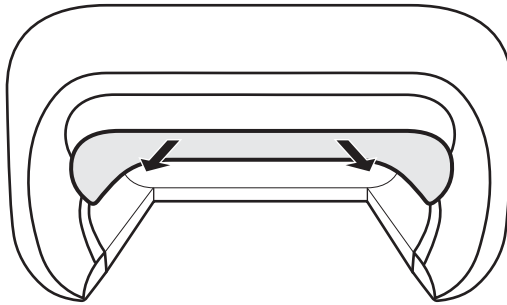
- ▶ Die UV-Lampen dürfen nur durch den gleichen Lampentyp ersetzt werden. Entnehmen Sie den genauen Lampentyp bitte dem Kapitel „Technische Daten“. UV-Lampen dieser Art sind im Fachhandel erhältlich.
- ◆ Ziehen Sie die Bodenplatte aus dem Gerät.



- ◆ Lösen Sie die Schraube mit einem Kreuzschlitzschraubendreher.



- ◆ Nehmen Sie die vordere Abdeckung ab.



- ◆ Ziehen Sie die transparente Schutzscheibe heraus.
- ◆ Sie können nun die defekte UV-Lampe vorsichtig aus der Fassung heraus nehmen.
- ◆ Stecken Sie die neue UV-Lampe in die Fassung hinein.
- ◆ Schieben Sie die transparente Schutzscheibe wieder in die Schiene.
- ◆ Stecken Sie die vordere Abdeckung wieder an das Gerät und fixieren Sie diese mit der Schraube.
- ◆ Schieben Sie die Bodenplatte wieder in das Gerät.

Fehlerbehebung

In diesem Kapitel erhalten Sie wichtige Hinweise zur Störungslokalisierung und Störungsbehebung. Beachten Sie die Hinweise, um Gefahren und Beschädigungen zu vermeiden.

Sicherheitshinweise

WARNUNG

Beachten Sie die folgenden Sicherheitshinweise um Gefahren und Sachschäden zu vermeiden:

- ▶ Reparaturen an Elektrogeräten dürfen nur von Fachleuten durchgeführt werden, die vom Hersteller geschult sind. Durch unsachgemäße Reparaturen können erhebliche Gefahren für den Benutzer und Schäden am Gerät entstehen.

Fehlerursachen und -behebung

Die nachfolgende Tabelle hilft bei der Lokalisierung und Behebung kleinerer Störungen:

Fehler	Mögliche Ursache	Behebung
Gerät lässt sich nicht einschalten.	Der Netzstecker ist nicht eingesteckt.	Stecken Sie den Netzstecker in die Steckdose.
	Steckdose liefert keine Spannung.	Überprüfen Sie die Haussicherungen.
UV-Gel 18 härtet nicht genügend aus.	Behandlungszeit zu kurz gewählt.	Stellen Sie eine längere Behandlungszeit ein.
	Eine oder mehrere UV-Lampen defekt.	Wechseln Sie die defekten UV-Lampen aus (siehe Kapitel „UV-Lampen wechseln“)
	Zuviel UV-Gel 18 aufgetragen.	Verwenden Sie weniger UV-Gel 18.
	Die Nägel waren nicht genau unter den UV-Lampen.	Halten Sie die Hand richtig in das UV-Gerät 1.
Nach dem Aushärten verbleibt eine „Schwitzschicht“ auf den Nägeln.	Entstehung einer „Schwitzschicht“ bedingt durch Polymerisation.	Entfernen Sie die „Schwitzschicht“ mit der Finishing-Lösung 16.
Die künstlichen Nägel werden weich/angelöst.	Anlösen der künstlichen Nägel durch Produkte mit hoher Aceton-Konzentration.	Tragen Sie keine Produkte mit hoher Aceton-Konzentration auf.
Die künstlichen Fingernägel weisen Unebenheiten auf.	Druck auf den Pinsel 7 beim Auftragen des UV-Gels 18 zu hoch.	Drücken Sie beim Auftragen des UV-Gels 18 nicht zu stark auf den Pinsel 7.
	UV-Gel 18 ungleichmäßig aufgetragen.	Tragen Sie eine weitere, dünne Schicht UV-Gel 18 auf und härten Sie diese aus.
Eine UV-Lampe leuchtet nicht.	UV-Lampe defekt.	Tauschen Sie die defekte UV-Lampe aus.

HINWEIS

- Wenn Sie mit den vorstehend genannten Schritten das Problem nicht lösen können, wenden Sie sich bitte an den Service.

Lagerung/Entsorgung

Lagerung

ACHTUNG

Gesundheitsgefahr durch lösemittelhaltige Substanzen!

Lösemittelhaltige Substanzen und deren Dämpfe können zu Gesundheitsschäden führen!

- ▶ Schließen Sie alle Behälter der beigelegten Substanzen sorgfältig.
- ▶ Lagern Sie die beigelegten Substanzen unzugänglich für Kinder.
- ◆ Sollten Sie das Gerät längere Zeit nicht benutzen, trennen Sie es von der Stromversorgung und lagern Sie es an einem sauberen, trockenen Ort ohne direkte Sonneneinstrahlung und unzugänglich für Kinder.
- ◆ Lagern Sie alle Substanzen an einem sauberen, trockenen und kühlen Ort ohne direkte Sonneneinstrahlung und unzugänglich für Kinder.

Gerät entsorgen



Werfen Sie das Gerät und die Substanzen keinesfalls in den normalen Hausmüll. Dieses Produkt unterliegt der europäischen Richtlinie 2012/19/EU.

Entsorgen Sie das Gerät und die Substanzen über einen zugelassenen Entsorgungsbetrieb oder über Ihre kommunale Entsorgungseinrichtung. Die chemischen Substanzen unterliegen der Sondermüllbehandlung. Beachten Sie die aktuell geltenden Vorschriften. Setzen Sie sich im Zweifelsfall mit Ihrer Entsorgungseinrichtung in Verbindung.

Anhang

Hinweise zur EG-Konformitätserklärung


Dieses Gerät entspricht hinsichtlich Übereinstimmung mit den grundlegenden Anforderungen und den anderen relevanten Vorschriften...



- der europäischen Richtlinie für elektromagnetische Verträglichkeit 2014/30/EU,
- der Niederspannungsrichtlinie 2014/35/EU,
- der RoHS-Richtlinie 2011/65/EU.

Die vollständige Original-Konformitätserklärung ist beim Importeur erhältlich.

Technische Daten

Modell	SNS 45 B4
Betriebsspannung	220 - 240 V ~ / 50 Hz
Leistungsaufnahme	45 W
Betriebstemperatur	+5 - +45 °C
Feuchtigkeit (keine Kondensation)	5 - 90 %
Abmessungen (H x B x T)	ca. 12,6 x 20,9 x 27,5 cm
Gewicht	ca. 1240 g
Anzahl UV-Lampen	4
UV-Lampen-Typ	UVA-9W 365 nm, 9 W
UV-Typ des Gerätes	UV-A Lampe Typ 3 UVA-9 W
Automatische Abschaltzeiten	nach 90, 150 und 240 Sekunden
Schutzklasse	II 

Garantie der Kompernaß Handels GmbH

Sehr geehrte Kundin, sehr geehrter Kunde,

Sie erhalten auf dieses Gerät 3 Jahre Garantie ab Kaufdatum. Im Falle von Mängeln dieses Produkts stehen Ihnen gegen den Verkäufer des Produkts gesetzliche Rechte zu. Diese gesetzlichen Rechte werden durch unsere im Folgenden dargestellte Garantie nicht eingeschränkt.

Garantiebedingungen

Die Garantiefrist beginnt mit dem Kaufdatum. Bitte bewahren Sie den Original-Kassenbon gut auf. Diese Unterlage wird als Nachweis für den Kauf benötigt.

Tritt innerhalb von drei Jahren ab dem Kaufdatum dieses Produkts ein Material- oder Fabrikationsfehler auf, wird das Produkt von uns – nach unserer Wahl – für Sie kostenlos repariert oder ersetzt. Diese Garantieleistung setzt voraus, dass innerhalb der Drei-Jahres-Frist das defekte Gerät und der Kaufbeleg (Kassenbon) vorgelegt und schriftlich kurz beschrieben wird, worin der Mangel besteht und wann er aufgetreten ist.

Wenn der Defekt von unserer Garantie gedeckt ist, erhalten Sie das reparierte oder ein neues Produkt zurück. Mit Reparatur oder Austausch des Produkts beginnt kein neuer Garantiezeitraum.

Garantiezeit und gesetzliche Mängelansprüche

Die Garantiezeit wird durch die Gewährleistung nicht verlängert. Dies gilt auch für ersetzte und reparierte Teile. Eventuell schon beim Kauf vorhandene Schäden und Mängel müssen sofort nach dem Auspacken gemeldet werden. Nach Ablauf der Garantiezeit anfallende Reparaturen sind kostenpflichtig.

Garantieumfang

Das Gerät wurde nach strengen Qualitätsrichtlinien sorgfältig produziert und vor Auslieferung gewissenhaft geprüft.

Die Garantieleistung gilt für Material- oder Fabrikationsfehler. Diese Garantie erstreckt sich nicht auf Produktteile, die normaler Abnutzung ausgesetzt sind und daher als Verschleißteile angesehen werden können oder für Beschädigungen an zerbrechlichen Teilen, z. B. Schalter, Akkus, Backformen oder Teile die aus Glas gefertigt sind.

Diese Garantie verfällt, wenn das Produkt beschädigt, nicht sachgemäß benutzt oder gewartet wurde. Für eine sachgemäße Benutzung des Produkts sind alle in der Bedienungsanleitung aufgeführten Anweisungen genau einzuhalten. Verwendungszwecke und Handlungen, von denen in der Bedienungsanleitung abgeraten oder vor denen gewarnt wird, sind unbedingt zu vermeiden.

Das Produkt ist nur für den privaten und nicht für den gewerblichen Gebrauch bestimmt. Bei missbräuchlicher und unsachgemäßer Behandlung, Gewaltanwendung und bei Eingriffen, die nicht von unserer autorisierten Service-Niederlassung vorgenommen wurden, erlischt die Garantie.

Abwicklung im Garantiefall

Um eine schnelle Bearbeitung ihres Anliegens zu gewährleisten, folgen Sie bitte den folgenden Hinweisen:

- Bitte halten Sie für alle Anfragen den Kassenschein und die Artikelnummer (z. B. IAN 12345) als Nachweis für den Kauf bereit.
- Die Artikelnummer entnehmen Sie bitte dem Typenschild, einer Gravur, auf dem Titelblatt ihrer Anleitung (unten links) oder als Aufkleber auf der Rück- oder Unterseite.
- Sollten Funktionsfehler oder sonstige Mängel auftreten, kontaktieren Sie zunächst die nachfolgend benannte Serviceabteilung **telefonisch** oder per **E-Mail**.
- Ein als defekt erfasstes Produkt können Sie dann unter Beifügung des Kaufbelegs (Kassenschein) und der Angabe, worin der Mangel besteht und wann er aufgetreten ist, für Sie portofrei an die Ihnen mitgeteilte Service-Anschrift übersenden.



Auf www.lidl-service.com können Sie diese und viele weitere Handbücher, Produktvideos und Software herunterladen.

Service

DE Service Deutschland

Tel.: 0800 5435 111 (Kostenfrei aus dem dt. Festnetz/Mobilfunknetz)

E-Mail: kompernass@lidl.de

AT Service Österreich

Tel.: 0820 201 222 (0,15 EUR/Min.)

E-Mail: kompernass@lidl.at

CH Service Schweiz

Tel.: 0842 665566 (0,08 CHF/Min., Mobilfunk max. 0,40 CHF/Min.)

E-Mail: kompernass@lidl.ch

IAN 290465

Importeur

Bitte beachten Sie, dass die folgende Anschrift keine Serviceanschrift ist. Kontaktieren Sie zunächst die benannte Servicestelle.

KOMPERNASS HANDELS GMBH

BURGSTRASSE 21

DE-44867 BOCHUM

DEUTSCHLAND

www.kompernass.com

KOMPERNASS HANDELS GMBH

BURGSTRASSE 21

DE-44867 BOCHUM

GERMANY

www.kompernass.com

Last Information Update · Έκδοση των πληροφοριών

Stand der Informationen:

05/2017 · Ident.-No.: SNS45B4-032017-2

IAN 290465