



www.lidl-service.com



CORDLESS JIGSAW PSTDA 18-Li A1

GB IE CY

CORDLESS JIGSAW

Translation of original operation manual

GR CY

ΣΕΓΑ ΜΠΑΤΑΡΙΑΣ ΜΕ ΤΑΛΑΝΤΩΣΗ

Μετάφραση των αυθεντικών οδηγιών λειτουργίας

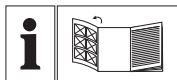
DE AT CH

AKKU-PENDELHUBSTICHSÄGE

Originalbetriebsanleitung

IAN 102866

GB IE
CY



GB IE CY

Before reading, unfold the page containing the illustrations and familiarise yourself with all functions of the device.

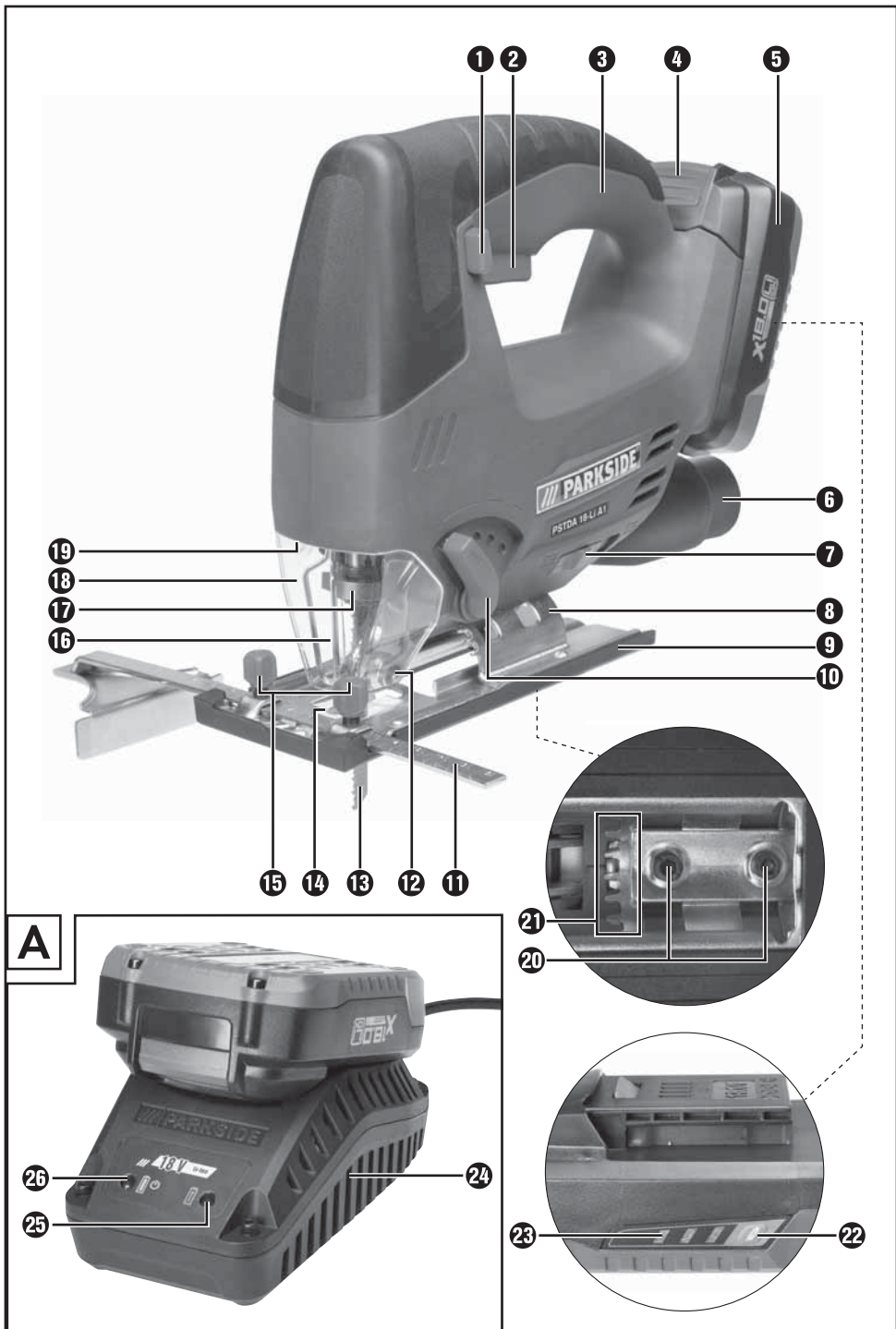
GR CY

Πριν ξεκινήσετε την ανάγνωση, ανοίξτε τις δυο σελίδες με τις εικόνες και εξοικειωθείτε με όλες τις λειτουργίες της συσκευής.

DE AT CH

Klappen Sie vor dem Lesen die Seite mit den Abbildungen aus und machen Sie sich anschließend mit allen Funktionen des Gerätes vertraut.

GB/IE/CY	Translation of original operation manual	Page	1
GR/CY	Μετάφραση των αυθεντικών οδηγιών λειτουργίας	Σελίδα	13
DE/AT/CH	Originalbetriebsanleitung	Seite	25



1

2

3

4

5

19

18

17

16

6

7

8

9

10

15

14

13

12

11

21

20

A

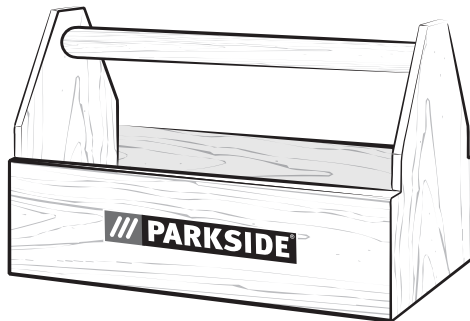
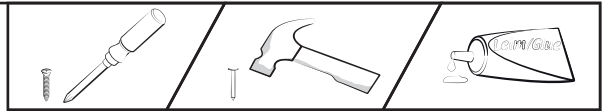
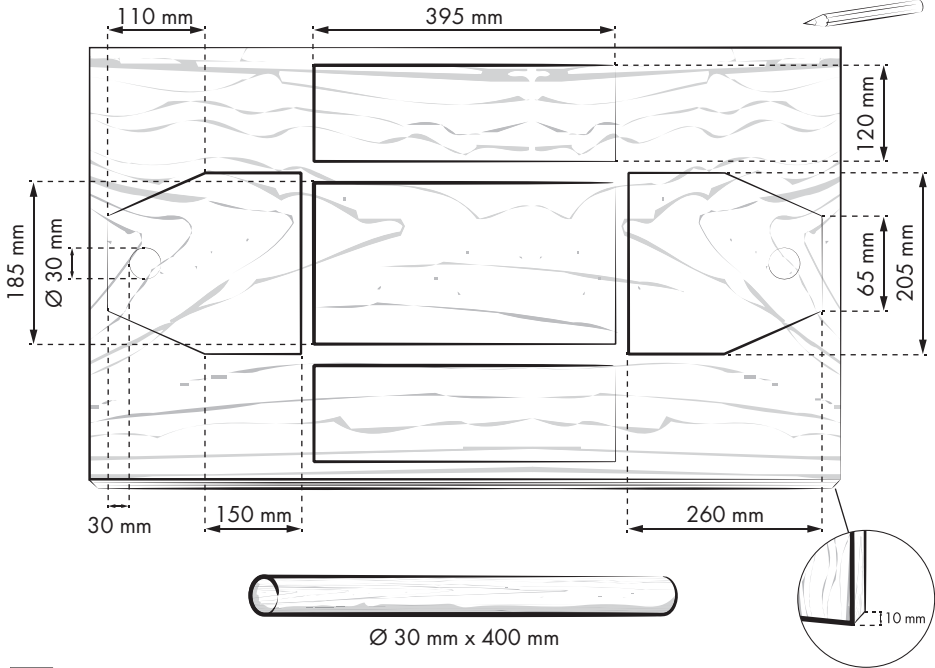
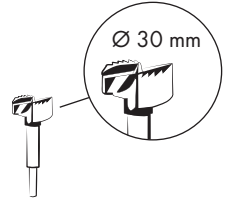
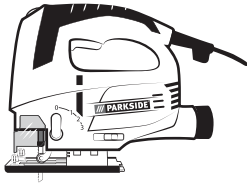
26

25

24

23

22



Contents

Introduction	2
Intended use	2
Features	2
Package contents	2
Technical data	2
General Power Tool Safety Warnings	3
1. Work area safety	3
2. Electrical safety	3
3. Personal safety	4
4. Power tool use and care	4
5. Use and handling of the cordless power tool	4
6. Service	5
Appliance-specific safety instructions for jigsaws	5
Safety guidelines for battery chargers	5
Supplementary notes	5
Genuine accessories/auxiliary equipment	6
Information on saw blades	6
Before initial use	6
Charging the battery (see Fig. A)	6
Attaching/disconnecting the battery pack to/from the appliance	6
Checking the battery charge level	6
Initial use	7
Fitting/changing the saw blade	7
Fitting the protective cover	7
Fitting the guide fence	7
Connecting the sawdust extraction device	7
Sawdust blowing function	7
Fitting the splinter guard	7
Fitting the sliding shoe	7
Operation	7
Setting the cutting angle	7
Setting the stroke rate	8
Adjusting the pendulum stroke	8
Switching the appliance on/off	8
Maintenance and cleaning	8
Warranty	8
Service	9
Importer	9
Disposal	9
Translation of the original Conformity Declaration	10
Ordering a replacement battery	11
Online ordering	11
Telephone ordering	11

CORDLESS JIGSAW

PSTDA 18-Li A1

Introduction



Congratulations on the purchase of your new appliance. You have selected a high quality product. The operating instructions are part of this product. They contain important information on safety, usage and disposal. Before using the product, familiarise yourself with all handling and safety instructions. Use the product only as described and for the range of applications specified. Upon cession of the product to a third party, also hand over all documents.

Intended use

This appliance is suitable for straight and curved cutting as well as mitre cuts of up to 45° on angular workpieces made of plastic, wood and light metal. This appliance is exclusively intended for private use in dry indoor spaces. Observe the guidelines on saw blade types. Any other usage of or modification to the appliance is deemed to be improper and carries significant risk of accidents. The manufacturer shall assume no liability for damage attributable to misuse.

Features

- 1 Safety lock-out for On/Off switch
- 2 On/Off switch
- 3 Housing
- 4 Release button for battery pack
- 5 Battery pack
- 6 Extraction nozzle
- 7 Switch for sawdust blower
- 8 Baseplate
- 9 Sliding shoe (removable)
- 10 Pendulum stroke switch
- 11 Guide fence
- 12 Guide roller
- 13 Saw blade
- 14 Splinter guard
- 15 Insertion openings (each incl. locking screw)
- 16 Protective bracket
- 17 Quick-release chuck
- 18 Protective cover
- 19 Working light
- 20 Clamping screws

- 21 Toothing
- 22 Battery charge level button
- 23 Battery display LED
- 24 Rapid charger
- 25 Red charge control LED
- 26 Green charge control LED

Package contents

- 1 cordless jigsaw incl. extraction nozzle
- 1 rapid battery charger
- 1 guide fence
- 2 saw blades for woodworking
- 1 saw blade for metalworking
- 1 Allen key
- 1 splinter guard
- Operating instructions

Technical data

Cordless jigsaw:

PSTDA 18-Li A1

Rated voltage:	18 V \equiv
Idle speed:	n_0 0-2700 min ⁻¹
Stroke:	20 mm
Pendulum stroke:	3 stages and fine-cut setting
Cutting depth:	wood/aluminium/metal: 80/12/5 mm
Cuts:	0° - 15° - 30° - 45° left/right

Battery: PAP 18 A1

Type:	LITHIUM ION
Rated voltage:	18 V \equiv
Capacity:	1.5 Ah

Rapid battery charger: PLG 18 A1

INPUT:

Rated voltage:	230-240 V ~, 50 Hz
Power consumption:	40 W

OUTPUT:

Rated voltage:	18 V \equiv
Charging current:	1.8 A
Charging time:	approx. 60 min
Fuse (internal):	2 A $\frac{T2A}{\square}$
Protection class:	II/ \square

Noise and vibration data:

Noise measurement value determined in accordance with EN ISO 4871 The A-rated noise level of the power tool is typically as follows:

Sound pressure level: 80 dB(a)

Sound power level: 91 dB(a)

Uncertainty K: 3 dB



Wear ear protection!

Weighted acceleration, typically:

Hand/arm vibration $a_h = 9.2 \text{ m/s}^2$

Uncertainty K = 1.5 m/s^2

NOTE

- ▶ The vibration level specified in these instructions has been measured in accordance with a standardised measuring procedure specified in EN 60745 and can be used to make equipment comparisons. The specified vibration emission value can also be used to make an initial exposure estimate.

⚠ WARNING!

- ▶ The vibration level varies in accordance with the use of the power tool and may be higher than the value specified in these instructions in some cases. There is a risk of underestimation of the vibration load if the power tool is used regularly in this manner. Try to keep the vibration loads as low as possible. Measures to reduce the vibration load are, e.g. wearing gloves and limiting the working time. Wherein all states of operation must be included (e.g. times when the power tool is switched off and times where the power tool is switched on but running without load).



General Power Tool Safety Warnings

⚠ WARNING!

- ▶ Read all safety warnings and all instructions. Failure to follow the warnings and instructions may result in electric shock, fire and/or serious injury.

Save all warnings and instructions for future reference.

The term "power tool" in the warnings refers to your mains-operated (corded) power tool or battery-operated (cordless) power tool.

1. Work area safety

- a) **Keep work area clean and well lit.** Cluttered or dark areas invite accidents.
- b) **Do not operate power tools in explosive atmospheres, such as in the presence of flammable liquids, gases or dust.** Power tools create sparks which may ignite the dust or fumes.
- c) **Keep children and bystanders away while operating a power tool.** Distractions can cause you to lose control.

2. Electrical safety

- a) **Power tool plugs must match the outlet. Never modify the plug in any way.** Do not use any adapter plugs with earthed (grounded) power tools. Unmodified plugs and matching outlets will reduce risk of electric shock.
- b) **Avoid body contact with earthed or grounded surfaces, such as pipes, radiators, ranges and refrigerators.** There is an increased risk of electric shock if your body is earthed or grounded.
- c) **Do not expose power tools to rain or wet conditions.** Water entering a power tool will increase the risk of electric shock.
- d) **Do not abuse the cord. Never use the cord for carrying, pulling or unplugging the power tool. Keep cord away from heat, oil, sharp edges or moving parts.** Damaged or entangled cords increase the risk of electric shock.

- e) When operating a power tool outdoors, use an extension cord suitable for outdoor use. Use of a cord suitable for outdoor use reduces the risk of electric shock.
- f) If operating a power tool in a damp location is unavoidable, use a residual current device (RCD) protected supply. Use of an RCD reduces the risk of electric shock.

3. Personal safety

- a) Stay alert, watch what you are doing and use common sense when operating a power tool. Do not use a power tool while you are tired or under the influence of drugs, alcohol or medication. A moment of inattention while operating power tools may result in serious personal injury.
- b) Use personal protective equipment. Always wear eye protection. Protective equipment such as dust mask, non-skid safety shoes, hard hat, or hearing protection used for appropriate conditions will reduce personal injuries.
- c) Prevent unintentional starting. Ensure the switch is in the off-position before connecting to power source and/or battery pack, picking up or carrying the tool. Carrying power tools with your finger on the switch or energising power tools that have the switch on invites accidents.
- d) Remove any adjusting key or wrench before turning the power tool on. A wrench or a key left attached to a rotating part of the power tool may result in personal injury.
- e) Do not overreach. Keep proper footing and balance at all times. This enables better control of the power tool in unexpected situations.
- f) Dress properly. Do not wear loose clothing or jewellery. Keep your hair, clothing and gloves away from moving parts. Loose clothes, jewellery or long hair can be caught in moving parts.
- g) If devices are provided for the connection of dust extraction and collection facilities, ensure these are connected and properly used. Use of dust collection can reduce dust-related hazards.

4. Power tool use and care

- a) Do not force the power tool. Use the correct power tool for your application. The correct power tool will do the job better and safer at the rate for which it was designed.
- b) Do not use the power tool if the switch does not turn it on and off. Any power tool that cannot be controlled with the switch is dangerous and must be repaired.
- c) Disconnect the plug from the power source and/or the battery pack from the power tool before making any adjustments, changing accessories, or storing power tools. Such preventive safety measures reduce the risk of starting the power tool accidentally.
- d) Store idle power tools out of the reach of children and do not allow persons unfamiliar with the power tool or these instructions to operate the power tool. Power tools are dangerous in the hands of untrained users.
- e) Maintain power tools. Check for misalignment or binding of moving parts, breakage of parts and any other condition that may affect the power tool's operation. If damaged, have the power tool repaired before use. Many accidents are caused by poorly maintained power tools.
- f) Keep cutting tools sharp and clean. Properly maintained cutting tools with sharp cutting edges are less likely to bind and are easier to control.
- g) Use the power tool, accessories and tool bits etc. in accordance with these instructions, taking into account the working conditions and the work to be performed. Use of the power tool for operations different from those intended could result in a hazardous situation.

5. Use and handling of the cordless power tool

- a) Charge the rechargeable battery unit using only the charger recommended by the manufacturer. Chargers are often designed for a particular type of rechargeable battery unit. There is the danger of fire if other types of rechargeable battery units are used.

- b) Only the rechargeable battery units supplied are to be used with the power tools. The use of other rechargeable battery units may result in injury or a fire hazard.
- c) When they are not being used, store rechargeable battery units away from paper clips, coins, keys, nails, screws or other small metal objects that could cause the contacts to be bridged. Short-circuiting the contacts of a rechargeable battery unit may result in burns or fire.
- d) Fluid may leak out of rechargeable battery units if they are misused. If this happens, avoid contact with the fluid. If accidental contact occurs, rinse the affected area with water. Seek additional medical help if any of the fluid gets into your eyes. Escaping battery fluid may cause skin irritation or burns.



CAUTION! RISK OF EXPLOSION!
Never charge non-rechargeable batteries!



Protect the battery against heat, e. g., against continuous intense sunlight, fire, water and moisture.



Danger of explosion.



6. Service

- a) Have your power tool serviced by a qualified repair person using only identical replacement parts. This will ensure that the safety of the power tool is maintained.

Appliance-specific safety instructions for jigsaws

- Hold the power tool by the insulated handles if carrying out work during which the power tool may come into contact with concealed power cables. Contact with a live cable may also cause metal parts of the appliance to become live and may result in electric shock.

Safety guidelines for battery chargers

- This appliance may be used by children aged 8 years and above and by persons with limited physical, sensory or mental capabilities or lack of experience and knowledge, provided that they are under supervision or have been told how to use the appliance safely and are aware of the potential risks. Children must not use the appliance as a plaything. Cleaning and user maintenance tasks may not be carried out by children unless they are supervised.



This charger is suitable for indoor use only.

WARNING!

- Do not operate the appliance with a damaged cable, supply cord or mains plug. A damaged power cord causes danger to life by electric shock.

Supplementary notes

- Keep your hands away from the sawing area. Do not reach underneath the workpiece. Contact with the saw blade may result in injury.
- **Keep your hands away from the stroke rod and the quick-release chuck.** There is a risk of crushing if contact is made with these components.
- Always switch on the power tool before applying it to the workpiece. Otherwise, there is a risk of a kickback.
- When sawing, ensure that the baseplate **8** and the sliding shoe **9** is placed against the workpiece.
- When you use the splinter guard **14**, take off the sliding shoe **9** first.
- After completing your work, switch the power tool off and do not pull the saw blade **13** out of the insert until the tool has stopped entirely. This prevents kickbacks, and allows you to put the tool down safely.
- Only use undamaged saw blades that are in perfect working order. Bent and blunt saw blades can break or may cause a kickback.

- Secure the workpiece. Use clamps/a vice to hold the workpiece firmly. This is safer than simply holding it in your hand.
- Never work on moistened materials or damp surfaces.
- **Dust may be hazardous!** When working for extended periods on wood and, in particular, materials that produce dusts that are hazardous to health, connect the appliance to an appropriate dust extraction device.
- Wear a dust mask.
- Ensure there is sufficient ventilation.

Genuine accessories/auxiliary equipment

- **Only use the accessories and auxiliary equipment that are specified in the operating instructions or that are compatible with the appliance.**

Information on saw blades

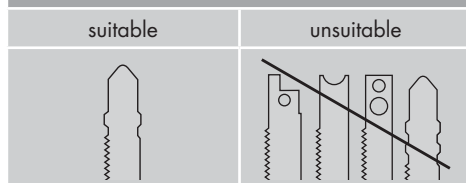
Parkside basic equipment includes saw blades principally for use with wood and metal.

- 2 saw blades for general wood cutting
- 1 saw blade for light metals up to 3 mm

NOTE

- ▶ You can use any saw blade provided it is fitted with a suitable mounting (single-lug shank).

Saw blade type



Before initial use

Charging the battery (see Fig. A)

⚠ CAUTION!

- ▶ Always unplug the appliance before you remove the battery pack from or connect the battery pack to the charger.

HINWEIS

- ▶ Three appliances - three compatible batteries. Interchangeable! (see chapter ordering a replacement battery)
- Never charge the battery pack when the ambient temperature is below 10°C or above 40°C.
- ◆ Connect the battery pack **5** to the rapid battery charger **24** (see Fig. A).
- ◆ Push the mains plug into the mains power socket. The control LED **25** will light up red.
- ◆ The green control LED **26** indicates that the charging process is complete and the battery pack **5** is ready.
- ◆ Push the battery pack **5** back into the appliance.
- Never recharge a battery pack again immediately after rapid charging. This could overcharge the battery pack, thus reducing the lifespan of the battery and charger.
- Switch off the charger for at least 15 minutes between successive charging sessions. Also disconnect the power plug from the mains power socket.

Attaching/disconnecting the battery pack to/from the appliance

Inserting the battery pack:

- ◆ Allow the battery pack **5** to click into place in the appliance.

Removing the battery pack:

- ◆ Press the release button **4** and remove the battery pack.

Checking the battery charge level

- ◆ Press the battery charge level button **22** to check the status of the battery (see also main diagram).

The status/remaining charge will be shown on the battery display LED **23** as follows:

- ◆ RED/ORANGE/GREEN = maximum charge/power
- ◆ RED/ORANGE = medium charge/power
- ◆ RED = low charge - charge the battery

Initial use

Fitting/changing the saw blade

Remove the battery before carrying out any work on the power tool (e.g. maintenance, tool-changing, etc.) as well as during carriage and storage of the power tool.

Unintentional depressing of the On/Off button can result in injury.

- ◆ Push the protective cover **18** together at the two outer holders and pull it off toward the front.
- ◆ Turn the quick-release chuck **17** and hold it in this position.
- ◆ Press the required saw blade into the quick-release chuck **17** as far as the limit stop.
- ◆ Release the quick-release chuck **17** it must return to its initial position. The saw blade is now locked.

Fitting the protective cover

Mount the protective cover **18** before connecting the machine to the dust extraction.

- ◆ Mount the protective cover **18** onto the machine in such a manner that the two outer holders engage in the openings on the casing.
- ◆ Remove the protective cover **18** for applications without dust extraction as well as when performing mitre cuts. For this, push the protective cover **18** together at the two outer holders and pull it off toward the front.

Fitting the guide fence

The guide fence **11** can be fixed on the left- or right-hand side of the appliance.

- ◆ Undo both the locking screws on the insertion openings **15**.
- ◆ Push the guide fence **11** into the insertion openings **15**.
- ◆ Re-tighten the two locking screws.

Connecting the sawdust extraction device

- ◆ Push the extraction nozzle **6** into the vacuum extraction duct until it is secured.
Optional depending on the diameter of the dust and sawdust extractor.

- ◆ Attach an approved dust and sawdust extractor to the extraction nozzle **6**.

Supporting the extraction function:

- ◆ Slide the sawdust blower switch **7** to the rear.

Sawdust blowing function

Switching the sawdust blowing function on:

- ◆ Press the sawdust blower switch **7** forwards.

Fitting the splinter guard

The splinter guard **14** can prevent fraying of the surface while sawing wood. The splinter guard **14** can only be used for certain saw blade types, without the sliding shoe **9** and only for cutting angles of 0°.

- ◆ Press the splinter guard **14** from below into the baseplate **8** (notch facing upwards).

Fitting the sliding shoe

When working on sensitive surfaces, you can fit the sliding shoe **9** on the baseplate **8** to avoid scratching the surface.

- ◆ Mount the sliding shoe **9** onto the baseplate **8** and press it up at the back until it clicks into place on the baseplate **8**.
- ◆ To remove the sliding shoe **9**, unfasten it at the rear of the baseplate **8** and slide it off forwards.

Operation

Setting the cutting angle

- ◆ Undo the locking screws **20** with the supplied Allen key and pull the baseplate **8** to the rear.
- ◆ Adjust the cutting angle to 0°/15°/30°/45° with the aid of the markings on the baseplate **8**. Push the baseplate **8** to the front so that the locking pin engages in the toothing **21**.
- ◆ Re-tighten the locking screws **20** with the Allen key.

Setting the stroke rate

The ON/OFF-switch ② has a variable speed control. Pressing the ON/OFF switch ② lightly yields a low speed. Increasing pressure increases the speed.

NOTE

- ▶ The integrated motor brake ensures rapid stoppage.

Adjusting the pendulum stroke

- ◆ You can use the pendulum stroke switch ⑩ to adjust the pendulum movement of the saw blade ⑬. You can achieve fine, clean-cut edges without pendulum movement (setting "0"). Deactivate pendulum movement when working on thin workpieces. You can achieve an increasingly fast work rate if the pendulum stroke is activated (settings 1–3).

Switching the appliance on/off

Switching the appliance on:

- ◆ Push the safety lock-out ① to the left or right and keep it pressed.
- ◆ Press the ON/OFF switch ②. Once the saw is running, you can release the safety lock-out ①. The working light ⑭ illuminates when the ON/OFF switch ② is depressed lightly or completely. This allows illumination of the work area in low lighting.

Switching the appliance off:

Release the ON/OFF switch ②.

Maintenance and cleaning



WARNING! RISK OF INJURY! Switch the power tool off and remove the battery before starting any work on the power tool.

- The appliance must always be kept clean, dry and free from oil or grease.
- Use a soft, dry cloth to clean the housing.
- If a lithium-ion battery is to be stored for an extended period, the charge level should be checked regularly. The optimum charge level is between 50% and 80%. Optimum storage conditions are cool and dry.

- Clean the appliance after completing your sawing work.
- Remove any dirt (e.g. sawdust). Clean the saw blade mounting, if necessary with a brush or by blowing it out with compressed air.

Warranty

You are provided a 3-year warranty on this appliance, valid from the date of purchase. This appliance has been manufactured with care and inspected meticulously prior to delivery. Please retain your receipt as proof of purchase. In the event of a warranty claim, please contact your Customer Service unit by telephone. This is the only way to guarantee free return of your merchandise.

The warranty only covers claims for material and manufacturing defects, not for damage sustained during carriage, components subject to wear and tear or damage to fragile components such as switches or batteries. This appliance is intended solely for private use and not for commercial deployment.

The warranty shall be deemed void in the case of misuse or improper handling, use of force or interventions which were not carried out by one of our authorised Service centres. Your statutory rights are not restricted by this warranty.

The warranty period is not extended in consequence of repairs carried out under the warranty. This also applies to replaced and repaired components. Any damage or defects present at the time of purchase must be reported immediately after unpacking, but no later than two days after the date of purchase. Repairs carried out after expiry of the warranty period shall be subject to charge.

Service

WARNING!

- ▶ Have the power tool repaired by the Service centre or a qualified electrician and only using genuine replacement parts. This will ensure ongoing safety of the appliance.
- ▶ Always ensure that the power plug or the mains cable is replaced only by the manufacturer of the appliance or by that party's approved Customer Service unit. This will ensure ongoing safety of the appliance.

GB Service Great Britain

Tel.: 0871 5000 720 (£ 0.10/Min.)

E-Mail: kompernass@lidl.co.uk

IAN 102866

IE Service Ireland

Tel.: 1890 930 034

(0,08 EUR/Min., (peak))

(0,06 EUR/Min., (off peak))

E-Mail: kompernass@lidl.ie

IAN 102866

CY Service Cyprus

Tel.: 8009 4409

E-Mail: kompernass@lidl.com.cy

IAN 102866

Hotline availability:

Monday to Friday 08:00 - 20:00 (CET)

Importer

KOMPERNASS HANDELS GMBH

BURGSTRASSE 21

44867 BOCHUM

GERMANY

www.kompernass.com

Disposal



The packaging is made from environmentally friendly materials and can be disposed of at your local recycling plant.



Do not dispose of power tools in normal domestic waste!

European Directive 2012/19/EU requires that worn-out power tools be collected separately and recycled in an environmentally compatible manner.



Do not dispose of batteries in your normal domestic waste!

Defective or worn-out rechargeable batteries must be recycled according to Directive 2006/66/EC. Take the battery pack and/or appliance to available collection facilities. Please consult your local authorities regarding suitable disposal of worn out power tools/battery packs.

Translation of the original Conformity Declaration

We, KOMPERNASS HANDELS GMBH, Custodian of Documents: Mr. Semi Uguzlu, BURGSTR. 21, 44867 BOCHUM, GERMANY, hereby declare that this product complies with the following standards, normative documents and EC directives:

**Machinery Directive
(2006/42/EC)**

**EC Low Voltage Regulations
(2006/95/EC)**

**EMC (Electromagnetic Compatibility)
(2004/108/EC)**

**RoHS Directive
(2011/65/EU)**

Applied harmonised standards:

EN 60745-1 / A11: 2010

EN 60745-2-11: 2010

EN 62233: 2008

EN 55014-1 / A2: 2011

EN 55014-2 / A2: 2008

EN 60335-1: 2012

EN 60335-2-29 / A2:2010

EN 61000-3-2 / A2: 2009

EN 61000-3-3: 2013

Type designation of machine:

Cordless jigsaw PSTDA 18-Li A1

Year of manufacture: 07-2014

Serial number: IAN 102866

Bochum, 20/06/2014



Semi Uguzlu

- Quality Manager -

The right to effect technical changes in the context of further development is reserved.

Ordering a replacement battery

If you want to order a replacement battery for your appliance, you can do so easily via the Internet on www.kompernass.com or by telephone.

The price of the replacement battery is €20, including VAT and shipping. Due to limited stocks, this item may sell out quickly.



Three appliances - three compatible batteries. Interchangeable!

Online ordering

To order a replacement battery from the Accessory Shop:

- Use your Internet browser to visit www.kompernass.com.
- Click on the corresponding flag on the right hand side at the bottom of the page to select the desired country and language.
- Click on the tab "Accessory Shop" and then select the appropriate replacement battery under the heading "Topseller".
- After you have placed the rechargeable battery in the shopping basket, click the "Checkout" button and follow the on-screen instructions to complete the ordering process.

NOTE

- ▶ Online ordering of replacement parts is not possible in all countries. In this case, please contact the Service hotline.
- The promotion is limited to one battery per customer/appliance and also to a timeline of one month after the promotion period. Thereafter, the replacement battery can be ordered as a replacement part, with other conditions prevailing.

Telephone ordering

GB Service Great Britain

Tel.: 0871 5000 720 (£ 0.10/Min.)

IE Service Ireland

Tel.: 1890 930 034 (0,08 EUR/Min., (peak))
(0,06 EUR/Min., (off peak))

CY Service Cyprus

Tel.: 8009 4409

To ensure that your order is processed swiftly, have the article number of your appliance to hand (e.g. IAN 102866) in case of questions. The article number can be found on the label or the title page of these instructions.

Περιεχόμενα

Εισαγωγή	14
Προβλεπόμενη χρήση	14
Εξοπλισμός	14
Παραδοτέος εξοπλισμός.....	14
Τεχνικά χαρακτηριστικά	14
Γενικές υποδείξεις ασφαλείας για ηλεκτρικά εργαλεία	15
1. Ασφάλεια στο χώρο εργασίας.....	15
2. Ηλεκτρική ασφάλεια.....	16
3. Ασφάλεια ατόμων	16
4. Χρήση και χειρισμός του ηλεκτρικού εργαλείου	17
5. Χρήση και χειρισμός του επαναφορτιζόμενου εργαλείου	17
6. Σέρβις	18
Συγκεκριμένες υποδείξεις ασφαλείας για σέγες	18
Υποδείξεις ασφαλείας για φορτιστές.....	18
Συμπληρωματικές υποδείξεις.....	18
Γνήσια εξαρτήματα/συμπληρωματικές συσκευές.....	18
Πληροφορίες σχετικά με τις λεπίδες	19
Πριν από τη θέση σε λειτουργία	19
Φόρτιση συστοιχίας συσσωρευτών (βλ. Εικ. Α).....	19
Τοποθέτηση/Απομάκρυνση συστοιχίας συσσωρευτών στη συσκευή	19
Έλεγχος κατάστασης συσσωρευτών.....	19
Θέση σε λειτουργία	20
Τοποθέτηση/Αλλαγή λεπίδας	20
Συναρμολόγηση του προστατευτικού καλύμματος	20
Τοποθέτηση παράλληλου αναστολέα	20
Σύνδεση διάταξης απορρόφησης ρινιδιών.....	20
Λειτουργία εκφύσησης ρινιδιών.....	20
Συναρμολόγηση προστασίας ροκανιδιών.....	20
Συναρμολόγηση πέλδου ολισθησης	20
Χειρισμός	21
Ρύθμιση γωνίας κοπής.....	21
Ρύθμιση αριθμού εμβολισμών	21
Ρύθμιση εμβολισμού ταλάντωσης	21
Ενεργοποίηση / Απενεργοποίηση.....	21
Συντήρηση και καθαρισμός	21
Εγγύηση	22
Σέρβις	22
Εισαγωγέας	22
Απόρριψη	23
Μετάφραση της Πρωτότυπης Δήλωση συμμόρφωσης	23
Παραγγελία εφεδρικού συσσωρευτή	24
Ηλεκτρονική παραγγελία.....	24
Τηλεφωνική παραγγελία	24

ΣΕΓΑ ΜΠΑΤΑΡΙΑΣ ΜΕ ΤΑΛΑΝΤΩΣΗ PSTDA 18-Li A1

Εισαγωγή



Συνταρητήρια για την αγορά της νέας σας συσκευής. Αποφασίσατε έτσι για την απόκτηση ενός προϊόντος υψηλής ποιότητας. Οι οδηγίες χρήσης είναι τμήμα αυτού του προϊόντος. Περιέχουν σημαντικές υποδείξεις για την ασφάλεια, τη χρήση και την απόρριψη. Πριν από τη χρήση του προϊόντος, εξοικειωθείτε με όλες τις υποδείξεις χειρισμού και ασφάλειας. Χρησιμοποιείτε το προϊόν μόνο όπως περιγράφεται και για τους αναφερόμενους τομείς χρήσης. Παραδώστε όλα τα έγγραφα σε περίπτωση παράδοσης του προϊόντος σε τρίτους.

Προβλεπόμενη χρήση

Η συσκευή είναι κατάλληλη για ευθείες και καμπυλωτές κοπές, καθώς και κοπές λοξότμησης έως 45° σε τεμάχια επεξεργασίας με γωνίες από πλαστικό, ξύλο και ελαφρό μέταλλο. Η συσκευή προορίζεται αποκλειστικά για ιδιωτική χρήση σε ξηρούς χώρους. Τηρείτε τις υποδείξεις σχετικά με τους τύπους λεπίδων. Κάθε άλλη χρήση ή μετατροπή της συσκευής ισχύει ως μη σύμφωνη με τους κανονισμούς και ενέχει σημαντικούς κινδύνους ατυχημάτων. Για βλάβες από χρήση μη σύμφωνη με τους κανονισμούς ο κατασκευαστής δεν αναλαμβάνει καμία ευθύνη.

Εξοπλισμός

- 1 Φραγή ενεργοποίησης για διακόπτη ON/OFF
- 2 Διακόπτης ON/OFF
- 3 Περιβλήμα
- 4 Πλήκτρο για την απασφάλιση της συστοιχίας συσσωρευτών
- 5 Συστοιχία συσσωρευτών
- 6 Στόμιο αναρρόφησης
- 7 Διακόπτης διάταξης εκφόρτισης ρινιδιών
- 8 Βάση
- 9 Πέδιλο ολίσθησης (αφαιρούμενο)
- 10 Διακόπτης εμβολισμού ταλάντωσης
- 11 Παράλληλος αναστολέας
- 12 Τροχός-οδηγός
- 13 Λεπίδα πριονιού
- 14 Προστασία ροκανιδιών
- 15 Στόμια εισαγωγής (έκαστο με βίδα ρύθμισης)
- 16 Αψίδα προστασίας

- 17 Δίσκος ταχείας σύσφιξης
- 18 Προστατευτικό κάλυμμα
- 19 Λυχνία εργασίας
- 20 Βίδες σύσφιξης
- 21 Οδόντωση
- 22 Πλήκτρο κατάστασης συσσωρευτή
- 23 LED ένδειξης συσσωρευτή
- 24 Ταχυφορτιστής
- 25 Κόκκινο LED ελέγχου φόρτισης
- 26 Πράσινο LED ελέγχου φόρτισης

Παραδοτέος εξοπλισμός

- 1 σέγα μπαταρίας με ταλάντωση στομίου αναρρόφησης
- 1 Ταχυφορτιστής συσσωρευτή
- 1 Παράλληλος αναστολέας
- 2 Λεπίδες επεξεργασίας ξύλου
- 1 Λεπίδα επεξεργασίας μέταλλου
- 1 Εξάγωνο κλειδί
- 1 Προστασία ροκανιδιών
- 1 Οδηγίες χρήσης

Τεχνικά χαρακτηριστικά

σέγα μπαταρίας με ταλάντωση: PSTDA 18-Li A1

Ονομαστική τάση:	18 V ===
Αριθμός εμβολισμών στο ρελαντί:	n_0 0 - 2700 min ⁻¹
Διαδρομή:	20 χιλ.
Εμβολισμός ταλάντωσης:	3 βαθμίδες και ρύθμιση κοπής ακριβείας
Βάθος κοπής:	Ξύλο/Αλουμίνιο/Μέταλλο: 80/12/5 χιλ.
Κοπές:	0° - 15° - 30° - 45° αριστερά/δεξιά
Συσσωρευτής: PAP 18 A1	
Τύπος:	ΛΙΘΙΟΥ-ΙΟΝΤΩΝ
Ονομαστική τάση:	18 V ===
Απόδοση:	1,5 Ah

Ταχυφορτιστής συσσωρευτή: PLG 18 A1

ΕΙΣΟΔΟΣ / Input:

Ονομαστική τάση: 230 - 240 V ~, 50 Hz

Απορρόφηση ισχύος: 40 W

ΕΞΟΔΟΣ / Output:

Ονομαστική τάση: 18 V ===

Ρεύμα φόρτισης: 1,8 A

Διάρκεια φόρτισης: περ. 60 λεπτά

Ασφάλεια (εσωτερικά): 2 A 

Κατηγορία

προστασίας: II / 

Πληροφορίες θορύβου και κραδασμών:

Τιμή μέτρησης για θόρυβο διακριβωμένη σύμφωνα με το EN ISO 4871. Το επίπεδο θορύβου Α-στάθμισης του ηλεκτρικού εργαλείου ανέρχεται συνήθως:

Στάθμη ηχητικής πίεσης: 80 dB(A)

Επιτρεπόμενη στάθμη

θορύβου: 91 dB(A)

Αβεβαιότητα K: 3 dB



Φοράτε προστασία για την ακοή!

Αξιολογημένη επιβράδυνση, τυπικά:

Δόνηση άκρας χειρός/βραχίονα $a_h = 9,2 \text{ m/s}^2$

Αβεβαιότητα K = 1,5 m/s^2

ΥΠΟΔΕΙΞΗ

- Το αναφερόμενο σε αυτές τις οδηγίες επίπεδο κραδασμών έχει μετρηθεί σύμφωνα με μια τυποποιημένη στο EN 60745 διαδικασία μέτρησης και μπορεί να χρησιμοποιείται για τη σύγκριση συσκευών. Η αναφερόμενη τιμή εκπομπής κραδασμών μπορεί επίσης να χρησιμοποιείται για μια αρχική εκτίμηση της έκθεσης.

 ΠΡΟΕΙΔΟΠΟΙΗΣΗ!

- Το επίπεδο κραδασμών θα αλλάζει σύμφωνα με τη χρήση του ηλεκτρικού εργαλείου και σε ορισμένες περιπτώσεις μπορεί να βρίσκεται πάνω από την αναφερόμενη σε αυτές τις οδηγίες τιμή. Το φορτίο κραδασμών θα μπορούσε να υποτιμηθεί, εάν το ηλεκτρικό εργαλείο χρησιμοποιείται τακτικά με αυτό τον τρόπο. Προσπαθείτε να κρατάτε την επιβάρυνση λόγω δονήσεων όσο το δυνατόν μικρότερη. Παραδειγματικά μέτρα μείωσης της επιβάρυνσης λόγω δονήσεων είναι η χρήση γαντιών κατά τη χρήση του εργαλείου και ο περιορισμός του χρόνου εργασίας. Εδώ πρέπει να συνυπολογίζονται όλα τα μέρη του κύκλου εργασίας (παραδείγματος χάριν χρόνοι, κατά τους οποίους το ηλεκτρικό εργαλείο είναι απενεργοποιημένο, και χρόνοι, κατά τους οποίους είναι μεν ενεργοποιημένο, αλλά λειτουργεί χωρίς φορτίο).

 Γενικές υποδείξεις ασφαλείας για ηλεκτρικά εργαλεία

 ΠΡΟΕΙΔΟΠΟΙΗΣΗ!

- Διαβάστε όλες τις υποδείξεις ασφαλείας και τις οδηγίες. Παραλείψεις κατά την τήρηση των υποδείξεων ασφαλείας και των οδηγιών μπορούν να προκαλέσουν ηλεκτροπληξία, πυρκαγιά και/ή σοβαρούς τραυματισμούς.

Φυλάξτε όλες τις υποδείξεις ασφαλείας και τις οδηγίες για το μέλλον.

Ο χρησιμοποιούμενος σε αυτές τις υποδείξεις ασφαλείας όρος "Ηλεκτρικό εργαλείο" αναφέρεται σε ηλεκτρικά εργαλεία (με καλώδιο) που λειτουργούν με ρεύμα και σε ηλεκτρικά εργαλεία (χωρίς καλώδιο) που λειτουργούν μέσω συσσωρευτή.

1. Ασφάλεια στο χώρο εργασίας

- Διατηρείτε το χώρο εργασίας σας καθαρό και καλά φωτισμένο. Η ακαταστασία και οι μη φωτισμένοι χώροι εργασίας μπορούν να οδηγήσουν σε ατυχήματα.

β) Μην εργάζεστε με το ηλεκτρικό εργαλείο σε περιβάλλον όπου υπάρχει κίνδυνος έκρηξης, εύφλεκτα υγρά, αέρια ή σκόνες. Τα ηλεκτρικά εργαλεία δημιουργούν σπινθήρες, οι οποίοι μπορούν να προκαλέσουν ανάφλεξη στη σκόνη ή στους ατμούς.

γ) Κρατάτε τα παιδιά και άλλα άτομα κατά τη χρήση του ηλεκτρικού εργαλείου μακριά. Σε περίπτωση διάσπασης της προσοχής μπορεί να χάσετε τον έλεγχο της συσκευής.

2. Ηλεκτρική ασφάλεια

α) Το βύσμα σύνδεσης του ηλεκτρικού εργαλείου πρέπει να ταιριάζει στην πρίζα. Το βύσμα δεν επιτρέπεται να τροποποιηθεί με κανέναν τρόπο. Μη χρησιμοποιείτε βύσματα προσαρμογών μαζί με ηλεκτρικά εργαλεία με γείωση προστασίας. Τα βύσματα που δεν έχουν τροποποιηθεί και οι κατάλληλες πρίζες μειώνουν τον κίνδυνο ηλεκτροπληξίας.

β) Αποφεύγετε τη σωματική επαφή με γειωμένες επιφάνειες, όπως σωλήνες, θερμαντικά σώματα, εστίες και ψυγεία. Υπάρχει αυξημένος κίνδυνος λόγω ηλεκτροπληξίας όταν το σώμα σας είναι γειωμένο.

γ) Κρατάτε τα ηλεκτρικά εργαλεία μακριά από βροχή ή υγρασία. Η διείσδυση νερού σε μια ηλεκτρική συσκευή αυξάνει τον κίνδυνο ηλεκτροπληξίας.

δ) Μη χρησιμοποιείτε το καλώδιο άσκοπα, π.χ. για να μεταφέρετε το ηλεκτρικό εργαλείο, να το κρεμάτε ή για να τραβάτε το βύσμα από την πρίζα. Κρατάτε το καλώδιο μακριά από υψηλές θερμοκρασίες, λάδια, αιχμηρές άκρες ή κινούμενα τμήματα της συσκευής. Τα φθαρμένα ή μπερδεμένα καλώδια αυξάνουν τον κίνδυνο ηλεκτροπληξίας.

ε) Όταν εργάζεστε με ένα ηλεκτρικό εργαλείο σε εξωτερικό χώρο, χρησιμοποιείτε μόνο καλώδια επέκτασης, τα οποία έχουν εγκριθεί για εξωτερικούς χώρους. Η χρήση κατάλληλου καλωδίου επέκτασης για εξωτερικό χώρο μειώνει τον κίνδυνο ηλεκτροπληξίας.

στ) Εάν δεν μπορεί να αποφευχθεί η λειτουργία του ηλεκτρικού εργαλείου σε υγρό περιβάλλον, χρησιμοποιείτε διακόπτη ασφαλείας. Η χρήση διακόπτη ασφαλείας μειώνει τον κίνδυνο ηλεκτροπληξίας.

3. Ασφάλεια ατόμων

α) Να είστε πάντα προσεκτικοί, προσέχετε τι κάνετε και χρησιμοποιείτε τη λογική όταν εργάζεστε με ένα ηλεκτρικό εργαλείο. Μη χρησιμοποιείτε ηλεκτρικά εργαλεία εάν είστε κουρασμένοι ή υπό την επήρεια ναρκωτικών, αλκοόλ ή φαρμάκων. Ένα μόνο λεπτό απροσεξίας κατά τη χρήση του ηλεκτρικού εργαλείου αρκεί για να οδηγήσει σε σοβαρούς τραυματισμούς.

β) Φοράτε ατομικό προστατευτικό εξοπλισμό και πάντα γυαλιά προστασίας. Όταν φοράτε ατομικό προστατευτικό εξοπλισμό, όπως μάσκα για τη σκόνη, αντιπολισθητικά υποδήματα ασφαλείας, κράνος ή προστασία για την ακοή, ανάλογα με το είδος και τη χρήση του ηλεκτρικού εργαλείου, μειώνεται ο κίνδυνος τραυματισμών.

γ) Αποφεύγετε μια μη ηθελημένη θέση σε λειτουργία. Βεβαιώστε ότι το ηλεκτρικό εργαλείο έχει απενεργοποιηθεί, προτού το συνδέσετε στην τροφοδοσία ρεύματος και/ή το συσσωρευτή, το σηκώσετε ή το μεταφέρετε. Όταν μεταφέρετε το ηλεκτρικό εργαλείο και έχετε το δάχτυλο στο διακόπτη ή εάν έχετε συνδέσει την ήδη ενεργοποιημένη συσκευή στην παροχή ρεύματος, αυτό μπορεί να οδηγήσει σε ατυχήματα.

δ) Απομακρύνετε εργαλεία ρύθμισης ή μηχανικά κλειδιά πριν ενεργοποιήσετε το ηλεκτρικό εργαλείο. Ένα εργαλείο ή κλειδί, το οποίο βρίσκεται σε ένα περιστρεφόμενο τμήμα της συσκευής, μπορεί να οδηγήσει σε τραυματισμούς.

ε) Αποφεύγετε μια λάθος στάση του σώματος. Φροντίζετε για ασφαλή θέση και διατηρείτε πάντα την ισορροπία. Έτσι μπορείτε να ελέγχετε το ηλεκτρικό εργαλείο καλύτερα σε μη αναμενόμενες καταστάσεις.

- στ) Φοράτε κατάλληλο ρουχισμό. Μη φοράτε μακριά ρούχα ή κοσμήματα. Κρατάτε τα μαλλιά, τα ρούχα και τα γάντια μακριά από κινούμενα τμήματα. Τα χαλαρά ρούχα, τα κοσμήματα ή τα μακριά μαλλιά μπορούν να πιαστούν από κινούμενα τμήματα.
- ζ) Εάν μπορούν να συναρμολογηθούν διατάξεις απορρόφησης και συλλογής σκόνης, βεβαιώστε ότι αυτές έχουν συνδεθεί και χρησιμοποιούνται σωστά. Η χρήση μιας διάταξης απορρόφησης σκόνης μπορεί να μειώσει τους κινδύνους από τη σκόνη.

4. Χρήση και χειρισμός του ηλεκτρικού εργαλείου

- α) Μην υπερφορτώνετε τη συσκευή. Χρησιμοποιείτε για την εργασία σας το αντίστοιχο ηλεκτρικό εργαλείο. Με το κατάλληλο ηλεκτρικό εργαλείο εργάζεστε καλύτερα και ασφαλέστερα στο δοθέν πεδίο απόδοσης.
- β) Μη χρησιμοποιείτε ηλεκτρικά εργαλεία, των οποίων ο διακόπτης είναι ελαττωματικός. Ένα ηλεκτρικό εργαλείο, το οποίο δεν μπορεί πλέον να ενεργοποιηθεί ή απενεργοποιηθεί, είναι επικίνδυνο και πρέπει να επισκευαστεί.
- γ) Τραβάτε το βύσμα από την πρίζα και/ή απομακρύνετε το συσσωρευτή πριν διεξάγετε ρυθμίσεις στη συσκευή, πριν αλλάξετε εξαρτήματα ή πριν φυλάξετε τη συσκευή. Αυτό το μέτρο ασφαλείας εμποδίζει τη μη ηθελημένη εκκίνηση του ηλεκτρικού εργαλείου.
- δ) Φυλάτε τα μη χρησιμοποιούμενα ηλεκτρικά εργαλεία εκτός εμβέλειας των παιδιών. Μην επιτρέπετε να χρησιμοποιούν τη συσκευή άτομα, τα οποία δεν έχουν εξοικειωθεί μαζί της ή δεν έχουν διαβάσει αυτές τις οδηγίες. Τα ηλεκτρικά εργαλεία είναι επικίνδυνα όταν χρησιμοποιούνται από άπειρα άτομα.
- ε) Φροντίζετε τα ηλεκτρικά εργαλεία με προσοχή. Ελέγχετε εάν κινούμενα τμήματα λειτουργούν σωστά και δεν κολλάνε, εάν κάποια μέρη έχουν σπάσει ή παρουσιάζουν τέτοια βλάβη, ώστε να επηρεάζεται η λειτουργία του ηλεκτρικού εργαλείου. Τα εξαρτήματα να βλάβη πρέπει να επισκευάζονται πριν από τη χρήση της συσκευής. Η αιτία πολλών ατυχημάτων οφείλεται στην κακή συντήρηση των ηλεκτρικών εργαλείων.

στ) Διατηρείτε τα εργαλεία κοπής αιχμηρά και καθαρά. Τα προσεκτικά φροντισμένα εργαλεία κοπής με αιχμηρές ακμές κοπής κολλάνε λιγότερο και είναι ευκολότερα στο χειρισμό.

- ζ) Χρησιμοποιείτε το ηλεκτρικό εργαλείο, τα εξαρτήματα, τα εργαλεία χρήσης, κλπ., σύμφωνα με αυτές τις οδηγίες. Λαμβάνετε υπόψη τις συνθήκες εργασίας και την προς διεξαγωγή ενέργεια. Η χρήση ηλεκτρικών εργαλείων για διαφορετικές από τις προβλεπόμενες χρήσεις μπορεί να οδηγήσει σε επικίνδυνες καταστάσεις.

5. Χρήση και χειρισμός του επαναφορτιζόμενου εργαλείου

- α) Φορτίζετε τους συσσωρευτές μόνο με φορτιστές που προτείνει ο κατασκευαστής. Για φορτιστές κατάλληλους για έναν καθορισμένο τύπο συσσωρευτών υπάρχει κίνδυνος πυρκαγιάς όταν χρησιμοποιούνται με άλλους συσσωρευτές.
- β) Χρησιμοποιείτε μόνο τους προβλεπόμενους συσσωρευτές στα ηλεκτρικά εργαλεία. Η χρήση άλλων συσσωρευτών μπορεί να οδηγήσει σε τραυματισμούς και σε κίνδυνο πυρκαγιάς.
- γ) Κρατάτε το μη χρησιμοποιούμενο συσσωρευτή μακριά από συνδετήρες, νομίσματα, κλειδιά, καρφιά, βίδες ή άλλα μικρά μεταλλικά αντικείμενα, τα οποία μπορούν να προκαλέσουν υπερεγύφρωση των επαφών. Ένα βραχυκύκλωμα μεταξύ των επαφών του συσσωρευτή μπορεί να έχει ως επακόλουθο εγκαύματα ή πυρκαγιά.
- δ) Σε περίπτωση εσφαλμένης χρήσης μπορεί να εξέλθει υγρό από το συσσωρευτή. Αποφεύγετε την επαφή με το υγρό. Σε περίπτωση τυχαίας επαφής ξεπλένετε με νερό. Εάν το υγρό έλθει σε επαφή με τα μάτια, ζητήστε επιπλέον ιατρική βοήθεια. Το εκρέον υγρό των συσσωρευτών μπορεί να προκαλέσει δερματικούς ερεθισμούς ή εγκαύματα.



ΠΡΟΣΟΧΗ! ΚΙΝΔΥΝΟΣ ΕΚΡΗΞΗΣ!

Μην φορτίζετε ποτέ μη επαναφορτιζόμενες μπαταρίες.



Προστατεύετε τον συσσωρευτή από υψηλή θερμοκρασία, π.χ. και από συνεχή ηλιακή ακτινοβολία, φωτιά, νερό και υγρασία. Υπάρχει κίνδυνος έκρηξης!



6. Σέρβις

- α) Το ηλεκτρικό σας εργαλείο πρέπει να επισκευάζεται μόνο από εξειδικευμένο ειδικό προσωπικό και μόνο με γνήσια ανταλλακτικά. Έτσι διατηρείται η ασφάλεια του ηλεκτρικού εργαλείου.

Συγκεκριμένες υποδείξεις ασφαλείας για σέργς

- Πιάνετε το ηλεκτρικό εργαλείο από τις μονωμένες επιφάνειες των λαβών, όταν διεξάγετε εργασίες, κατά τις οποίες το ηλεκτρικό εργαλείο μπορεί να συναντήσει κρυμμένους αγωγούς ρεύματος. Η επαφή με έναν ρευματοφόρο αγωγό θέτει υπό τάση ακόμη και μεταλλικά τμήματα της συσκευής, προκαλώντας ηλεκτροπληξία.

Υποδείξεις ασφαλείας για φορτιστές

- Αυτή η συσκευή επιτρέπεται να χρησιμοποιείται από παιδιά άνω των 8 ετών, καθώς και από άτομα με περιορισμένες φυσικές, αισθητηριακές ή νοητικές ικανότητες ή ελλείψεις από άποψη εμπειρίας και γνώσεων, εφόσον επιτηρούνται ή έχουν ενημερωθεί αναφορικά με την ασφαλή χρήση της συσκευής και κατανοούν τους προκύπτοντες κινδύνους. Τα παιδιά δεν επιτρέπεται να παίζουν με τη συσκευή. Ο καθαρισμός και η συντήρηση χρήστη δεν επιτρέπεται να διεξάγονται από παιδιά, χωρίς επιτήρηση.



Ο φορτιστής είναι κατάλληλος για λειτουργία μόνο σε εσωτερικούς χώρους.



ΠΡΟΕΙΔΟΠΟΙΗΣΗ!

- Μην λειτουργείτε τη συσκευή με φθαρμένο καλώδιο, καλώδιο δικτύου ή βύσμα. Τα φθαρμένα καλώδια δικτύου σημαίνουν κίνδυνο ζωής από ηλεκτροπληξία.

Συμπληρωματικές υποδείξεις

- Κρατάτε τα χέρια σας μακριά από την περιοχή πριονίσματος. Μην πιάνετε κάτω από το τεμάχιο επεξεργασίας. Σε περίπτωση επαφής με τη λεπίδα υπάρχει κίνδυνος τραυματισμού.
- Κρατάτε τα χέρια σας μακριά από την ανυψωτική ράβδο και το δίσκο ταχείας σύσφιξης. Σε περίπτωση επαφής με τα στοιχεία αυτά υπάρχει κίνδυνος σύνθλιψης.

- Οδηγήστε το ηλεκτρικό εργαλείο προς το τεμάχιο επεξεργασίας μόνο όταν αυτό είναι ενεργοποιημένο. Αλλιώς υπάρχει κίνδυνος αντεπιστροφής.
- Προσέξτε ώστε η βάση 8 και το πέδιλο ολίσθησης 9 να εφαρμόζουν κατά το πριόνισμα.
- Εάν θέλετε να χρησιμοποιήσετε την προστασία ροκανιδιών 14, απομακρύνετε πρώτα το πέδιλο ολίσθησης 9.
- Μετά το τέλος της εργασίας, απενεργοποιείτε το ηλεκτρικό εργαλείο και απομακρύνετε τη λεπίδα 13 από την τομή μόνο αφού έχει ακινητοποιηθεί. Έτσι, αποφεύγετε πιθανή αντεπιστροφή και μπορείτε να αποθηκεύσετε το ηλεκτρικό εργαλείο με ασφάλεια.
- Χρησιμοποιείτε πάντα λεπίδες που δεν έχουν υποστεί φθορά και λειτουργούν άψογα. Τυχόν στραβωμένες και στομωμένες λεπίδες μπορεί να σπάσουν ή να προκαλέσουν αντεπιστροφή.
- Ασφαλιζετε το τεμάχιο επεξεργασίας. Για να σταθεροποιείτε το τεμάχιο επεξεργασίας χρησιμοποιείτε διατάξεις σύσφιξης/μέγγενη. Έτσι συγκρατείται με μεγαλύτερη ασφάλεια από ότι με το χέρι.
- Μην επεξεργάζεστε υλικά ή επιφάνειες με υγρασία.
- **Κίνδυνος λόγω σκόνης!** Σε περιπτώσεις μακράς επεξεργασίας ξύλου και κυρίως επεξεργασίας υλικών, κατά την οποία δημιουργούνται επικίνδυνες για την υγεία σκόνες, συνδέετε τη συσκευή σε κατάλληλη διάταξη απορρόφησης σκόνης.
- Φοράτε μάσκα προστασίας από τη σκόνη!
- Φροντίστε για επαρκή αερισμό.

Γνήσια εξαρτήματα/συμπληρωματικές συσκευές

- Χρησιμοποιείτε μόνο εξαρτήματα και συμπληρωματικές συσκευές που αναφέρονται στις οδηγίες χρήσης ή που οι υποδοχές τους είναι συμβατές με τη συσκευή.

Πληροφορίες σχετικά με τις λεπίδες

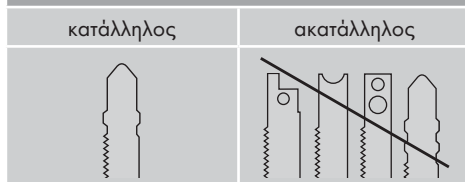
Ο βασικός εξοπλισμός της σέγας Parkside περιλαμβάνει ήδη λεπίδες για βασικές εφαρμογές σε ξύλο και μέταλλο.

- 2 λεπίδες για γενικές κοπές ξύλου
- 1 λεπίδα για ελαφρά μέταλλα έως 3 χιλ.

ΥΠΟΔΕΙΞΗ

- ▶ Μπορείτε να χρησιμοποιήσετε κάθε άλλη λεπίδα, υπό την προϋπόθεση ότι διαθέτει την κατάλληλη υποδοχή (μονός εκκεντροφόρος άξονας).

Τύπος λεπίδας



Πριν από τη θέση σε λειτουργία

Φόρτιση συστοιχίας συσσωρευτών (βλ. Εικ. Α)

⚠ ΠΡΟΣΟΧΗ!

- ▶ Τραβάτε πάντα το βύσμα πριν πάρετε τη συστοιχία συσσωρευτών από το φορτιστή ή πριν την τοποθετήσετε.

ΥΠΟΔΕΙΞΗ

- ▶ Τρεις συσκευές - τρεις συμβατοί συσσωρευτές. Με συμβατότητα μεταξύ τους! (βλ. Κεφάλαιο Παραγγελία εφεδρικού συσσωρευτή)
- Ποτέ μην φορτίζετε την συστοιχία συσσωρευτών όταν η θερμοκρασία περιβάλλοντος βρίσκεται κάτω των 10 °C ή άνω των 40 °C.
- ◆ Τοποθετήστε την συστοιχία συσσωρευτών 5 στον ταχυφορτιστή 24 (βλ. Εικ. Α).
- ◆ Εισάγετε το βύσμα στην πρίζα. Το LED ελέγχου 25 ανάβει κόκκινο.

- ◆ Το πράσινο LED ελέγχου 25 σηματοδοτεί ότι η διαδικασία φόρτισης έχει ολοκληρωθεί και η συστοιχία συσσωρευτών 5 είναι έτοιμη για χρήση.

- ◆ Ωθήστε τη συστοιχία συσσωρευτών 5 μέσα στη συσκευή.

- Ποτέ μην φορτίζετε δεύτερη φορά μια συστοιχία συσσωρευτών αμέσως μετά τη γρήγορη διαδικασία φόρτισης. Υπάρχει κίνδυνος η συστοιχία συσσωρευτών να υπερφορτιστεί και έτσι να μειωθεί η διάρκεια ζωής των συσσωρευτών και του φορτιστή.

- ◆ Ανάμεσα σε διαδοχικές διαδικασίες φόρτισης απενεργοποιείτε το φορτιστή για τουλάχιστον 15 λεπτά.

Για αυτό τραβάτε το βύσμα.

Τοποθέτηση/Απομάκρυνση συστοιχίας συσσωρευτών στη συσκευή

Τοποθέτηση της συστοιχίας συσσωρευτών:

- ◆ Η συστοιχία συσσωρευτών 5 πρέπει να κωμώσει στη συσκευή.

Απομάκρυνση της συστοιχίας συσσωρευτών:

- ◆ Πιέστε το πλήκτρο απασφάλισης 4 και απομακρύνετε τη συστοιχία συσσωρευτών.

Έλεγχος κατάστασης συσσωρευτών

- ◆ Για τον έλεγχο της κατάστασης φόρτισης των συσσωρευτών, πιέστε το πλήκτρο κατάστασης συσσωρευτών 22 (βλ. επίσης κύρια εικόνα). Η κατάσταση ή η υπολειπόμενη απόδοση προβάλλονται στο LED ένδειξης συσσωρευτών 23 ως εξής:
- ◆ ΚΟΚΚΙΝΟ/ΠΟΡΤΟΚΑΛΙ/ΠΡΑΣΙΝΟ = μέγιστο φορτίο/απόδοση
ΚΟΚΚΙΝΟ/ΠΟΡΤΟΚΑΛΙ = μεσαίο φορτίο/απόδοση
ΚΟΚΚΙΝΟ = αδύναμο φορτίο - φορτίστε τον συσσωρευτή

Θέση σε λειτουργία

Τοποθέτηση/Αλλαγή λεπίδας

Πριν από όλες τις εργασίες στο ηλεκτρικό εργαλείο (π.χ. συντήρηση, αλλαγή εξαρτήματος, κλπ.), καθώς και κατά τη μεταφορά και φύλαξη, απομακρύνετε τον συσσωρευτή από το ηλεκτρικό εργαλείο.

Σε μη ηθελημένη ενεργοποίηση του διακόπτη ON/OFF υπάρχει κίνδυνος τραυματισμού.

- ♦ Πιέστε μέσα το προστατευτικό κάλυμμα **13** στο ύψος των εξωτερικών συγκρατήσεων και απομακρύνετε το, τραβώντας το προς τα εμπρός.
- ♦ Περιστρέψτε το δίσκο ταχείας σύσφιξης **17** και κρατήστε τον έτσι.
- ♦ Πιέστε τέρμα την απαιτούμενη λεπίδα μέσα στο δίσκο ταχείας σύσφιξης **17**.
- ♦ Αφήστε ελεύθερο το δίσκο ταχείας σύσφιξης **17**. Θα πρέπει να επιστρέφει στην αρχική θέση του. Η λεπίδα είναι πλέον ασφαλισμένη.

Συναρμολόγηση του προστατευτικού καλύμματος

Συναρμολογήστε το προστατευτικό κάλυμμα **18**, προτού συνδέσετε τη συσκευή σε μια διάταξη απορρόφησης σκόνης.

- ♦ Τοποθετήστε το προστατευτικό κάλυμμα **18** κατά τέτοιο τόπο επάνω στη συσκευή, ώστε οι δύο εξωτερικές συγκρατήσεις να κουμπώνουν στις εσοχές του περιβλήματος.
- ♦ Απομακρύνετε το προστατευτικό κάλυμμα **18** για εργασίες χωρίς απορρόφηση σκόνης καθώς και για κοπή υπό γωνία. Για το σκοπό αυτό, πιέστε μέσα το προστατευτικό κάλυμμα **18** στο ύψος των εξωτερικών συγκρατήσεων και απομακρύνετε το, τραβώντας το προς τα εμπρός.

Τοποθέτηση παράλληλου αναστολέα

Ο παράλληλος αναστολέας **11** μπορεί να στερεωθεί αριστερά ή δεξιά της συσκευής.

- ♦ Λύστε τις δύο βίδες ρύθμισης των στομιών εισαγωγής **15**.
- ♦ Σπρώξτε τον παράλληλο αναστολέα **11** μέσα στα στόμια εισαγωγής **15**.

- ♦ Βιδώστε πάλι καλά τις δύο βίδες ρύθμισης.

Σύνδεση διάταξης απορρόφησης ρινιδιών

- ♦ Περάστε το στόμιο αναρρόφησης **6** στο κανάλι αναρρόφησης, έως ότου ακινητοποιηθεί. Κατ' επιλογή, ανάλογα με την διάμετρο της απορρόφησης σκόνης και ροκανιδιών.
- ♦ Συνδέστε μια εγκεκριμένη διάταξη απορρόφησης σκόνης και ροκανιδιών στο στόμιο αναρρόφησης **6**.

Υποστήριξη λειτουργίας απορρόφησης:

- ♦ Σπρώξτε το διακόπτη διάταξης εκφύσησης ρινιδιών **7** προς τα πίσω.

Λειτουργία εκφύσησης ρινιδιών

Ενεργοποίηση λειτουργίας εκφύσησης ρινιδιών:

- ♦ Σπρώξτε το διακόπτη διάταξης εκφύσησης ρινιδιών **7** προς τα εμπρός.

Συναρμολόγηση προστασίας ροκανιδιών

Η προστασία ροκανιδιών **14** μπορεί να εμποδίσει σκίσιμο της επιφάνειας κατά το πριόνισμα του ξύλου. Η προστασία ροκανιδιών **14** μπορεί να χρησιμοποιείται μόνο σε συγκεκριμένους τύπους λεπίδων πριονιού, χωρίς πέδιλο ολίσθησης **9** και μόνο σε μια γωνία κοπής 0°.

- ♦ Πιέστε την προστασία ροκανιδιών **14** από κάτω στην βάση **8** (εγκοπή προς τα επάνω).

Συναρμολόγηση πέδिलου ολίσθησης

Κατά την επεξεργασία ευαίσθητων επιφανειών μπορείτε να τοποθετήσετε το πέδιλο ολίσθησης **9** επάνω στην βάση **8**, ώστε να εμποδιστεί γδάρισμα της επιφάνειας.

- ♦ Αναρτήστε το πέδιλο ολίσθησης **9** μπροστά στην βάση **8** και πιέστε το πίσω ψηλά, έως ότου κουμπώσει στην βάση **8**.
- ♦ Για την απομάκρυνση του πέδिलου ολίσθησης **9**, λασκάρετέ το στο πίσω τμήμα της βάσης **8** και αφαιρέστε το προς τα εμπρός.

Χειρισμός

Ρύθμιση γωνίας κοπής

- ◆ Λύστε τις βίδες σύσφιξης **20** με το απεσταλμένο εξαγωνικό κλειδί και τραβήξτε τη βάση **8** προς τα πίσω.
- ◆ Ρυθμίστε τη γωνία κοπής 0° / 15° / 30° / 45° με τη βοήθεια των σημάνσεων στη βάση **8**. Σπρώξτε τη βάση **8** προς τα εμπρός, ώστε ο πείρος ασφάλισης να ασφαλίσει στην οδόντωση **21**.
- ◆ Σφίξτε τις βίδες σύσφιξης **20** με το εξαγωνικό κλειδί.

Ρύθμιση αριθμού εμβολισμών

Ο διακόπτης ON/OFF **2** διαθέτει μια μεταβλητή ρύθμιση ταχύτητας. Ελαφριά πίεση στον διακόπτη ON/OFF **2** επιφέρει έναν χαμηλό αριθμό στροφών. Με αυξανόμενη πίεση αυξάνεται ο αριθμός στροφών.

ΥΠΟΔΕΙΞΗ

- Το ενσωματωμένο φρένο μοτέρ φροντίζει για μια γρήγορη ακινητοποίηση.

Ρύθμιση εμβολισμού ταλάντωσης

- ◆ Με το διακόπτη εμβολισμού ταλάντωσης **10** μπορείτε να ρυθμίσετε την ταλαντούμενη κίνηση της λεπίδας **16**. Χωρίς ταλαντούμενη κίνηση (Θέση "0") οι ακμές κοπής είναι λεπτές και καθαρές. Στα λεπτά τεμάχια επεξεργασίας απενεργοποιείτε τον εμβολισμό ταλάντωσης. Όταν ο εμβολισμός ταλάντωσης είναι ενεργοποιημένος (Θέση 1-3) επιτυγχάνετε ολοένα γρηγορότερη πρόοδο εργασιών.

Ενεργοποίηση / Απενεργοποίηση

Ενεργοποίηση συσκευής:

- ◆ Πιέστε τη φραγή ενεργοποίησης **1** προς τα αριστερά ή δεξιά και κρατήστε την πατημένη.
- ◆ Πιέστε το διακόπτη ON/OFF **2**. Αφού εκκινήσει το μηχάνημα, μπορείτε να αφήσετε πάλι τη φραγή ενεργοποίησης **1**. Η λυχνία εργασίας **19** φωτίζει σε ελαφρώς ή πλήρως πιεσμένο διακόπτη ON/OFF **2**. Διευκολύνει τον φωτισμό του τομέα εργασίας σε δυσμενείς συνθήκες φωτισμού.

Απενεργοποίηση συσκευής:

Αφήστε ελεύθερο το διακόπτη ON/OFF **2**.

Συντήρηση και καθαρισμός



ΠΡΟΕΙΔΟΠΟΙΗΣΗ! ΚΙΝΔΥΝΟΣ ΤΡΑΥΜΑΤΙΣΜΟΥ! Πριν από όλες τις εργασίες στην συσκευή απενεργοποιείτε την και απομακρύνετε τον συσσωρευτή.

- Η συσκευή πρέπει να είναι πάντα καθαρή, στεγνή και ελεύθερη από λάδια ή λίπος.
- Για τον καθαρισμό του περιβλήματος χρησιμοποιείτε ένα στεγνό πανί.
- Εάν ένας συσσωρευτής λιθίου - ιόντων πρέπει να αποθηκευτεί για μεγάλο χρονικό διάστημα, πρέπει να ελέγχεται τακτικά η κατάσταση φόρτισης. Η βέλτιστη κατάσταση φόρτισης βρίσκεται μεταξύ 50% και 80%. Το βέλτιστο κλίμα αποθήκευσης είναι σε δροσερό και στεγνό χώρο.
- Ο καθαρισμός της συσκευής πρέπει να διεξάγεται μετά το τέλος της εργασίας πριονίσματος.
- Απομακρύνετε ακαθαρσίες (π.χ. από πριονίδια). Καθαρίζετε, εάν χρειάζεται, την υποδοχή των λεπίδων με ένα πινέλο ή με πιεσιμένο αέρα.

Εγγύηση

Η παρούσα συσκευή διαθέτει 3 χρόνια εγγύηση από την ημερομηνία αγοράς. Η συσκευή κατασκευάστηκε και ελέγχθηκε προσεκτικά πριν από την αποστολή. Παρακαλούμε φυλάξτε την απόδειξη ταμείου ως απόδειξη για την αγορά. Σε περίπτωση απαίτησης εγγύησης επικοινωνήστε τηλεφωνικά με το τμήμα σέρβις. Μόνο έτσι μπορεί να εξασφαλιστεί δωρεάν αποστολή του εμπορεύματός σας.

Η απόδοση εγγύησης ισχύει μόνο για σφάλματα υλικού ή κατασκευής, όχι όμως για ζημιές από τη μεταφορά, για εξαρτήματα φθοράς ή για βλάβες σε εύθραυστα εξαρτήματα, π.χ. διακόπτες ή συσσωρευτές. Το προϊόν προορίζεται μόνο για ιδιωτική και όχι για επαγγελματική χρήση.

Σε περίπτωση κακής μεταχείρισης και ακατάλληλης χρήσης, χρήσης βίας και παρεμβάσεων, οι οποίες δεν διεξήχθησαν από το εξουσιοδοτημένο μας τμήμα σέρβις, η εγγύηση παύει να ισχύει. Τα νομικά σας δικαιώματα δεν περιορίζονται μέσω αυτής της εγγύησης.

Ο χρόνος εγγύησης δεν επιμηκύνεται μέσω της εγγύησης. Αυτό ισχύει και για εξαρτήματα, τα οποία έχουν αντικατασταθεί και επισκευαστεί. Ενδεχόμενες ήδη υπάρχουσες ζημιές και ελλείψεις κατά την αγορά πρέπει να γνωστοποιηθούν αμέσως μετά το άνοιγμα της συσκευασίας, το αργότερο ωστόσο δύο ημέρες μετά την ημερομηνία αγοράς. Μετά τη λήξη του χρόνου εγγύησης, τυχόν εμφανιζόμενες επισκευές χρεώνονται.

Σέρβις

⚠ ΠΡΟΕΙΔΟΠΟΙΗΣΗ!

- ▶ Η επισκευή των συσκευών σας πρέπει να γίνεται από την υπηρεσία του σέρβις ή εξειδικευμένο ηλεκτρολογικό προσωπικό και μόνο με γνήσια εξαρτήματα. Έτσι διατηρείται η ασφάλεια της συσκευής.
- ▶ Η αλλαγή του βύσματος ή του καλωδίου δικτύου πρέπει να διεξάγεται πάντα από τον κατασκευαστή της συσκευής ή από το τμήμα εξυπηρέτησης πελατών του. Έτσι διατηρείται η ασφάλεια της συσκευής.

GR Σέρβις Ελλάδα
Tel.: 801 5000 019 (0,03 EUR/Min.)
E-Mail: kompnass@lidl.gr
IAN 102866

CY Σέρβις Κύπρος
Tel.: 8009 4409
E-Mail: kompnass@lidl.com.cy
IAN 102866

Τηλεφωνικό κέντρο (Hotline):
Δευτέρα έως Παρασκευή, 8:00 – 20:00 (CET)

Εισαγωγέας

KOMPERNASS HANDELS GMBH
BURGSTRASSE 21
44867 BOCHUM
GERMANY
www.kompnass.com

Απόρριψη



Η συσκευασία αποτελείται από φιλικά προς το περιβάλλον υλικά, τα οποία μπορείτε να απορρίψετε μέσω των τοπικών σημείων ανακύκλωσης.



Μην απορρίπτετε τα ηλεκτρικά εργαλεία στα οικιακά απορρίμματα!

Σύμφωνα με την Ευρωπαϊκή Οδηγία 2012/19/EU τα χρησιμοποιημένα ηλεκτρικά εργαλεία πρέπει να συλλέγονται χωριστά και να οδηγούνται σε μια φιλική για το περιβάλλον επαναχρησιμοποίηση.



Μην απορρίπτετε τους συσσωρευτές στα οικιακά απορρίμματα!

Οι ελαττωματικοί ή χρησιμοποιημένοι συσσωρευτές πρέπει να ανακυκλώνονται σύμφωνα με την Οδηγία 2006/66/ΕΚ. Επιστρέψτε τη συστοιχία συσσωρευτών και/ή τη συσκευή μέσω των προσφερόμενων εγκαταστάσεων συλλογής. Θα ενημερωθείτε για τις δυνατότητες απόρριψης των χρησιμοποιημένων ηλεκτρικών εργαλείων/της συστοιχίας συσσωρευτών από τη διαχείριση της κοινότητας ή της πόλης σας.

Μετάφραση της Πρωτότυπης Δήλωση συμμόρφωσης

Εμείς, η KOMPENASS HANDELS GMBH, Υπεύθυνος τεκμηριώσεων: Κύριος Semi Uguzlu, BURGSTR. 21, 44867 BOCHUM, GERMANY, δηλώνουμε δια της παρούσης ότι το παρόν προϊόν συμφώνει με τα ακόλουθα πρότυπα, τα κανονιστικά έγγραφα και τις οδηγίες της ΕΚ:

Οδηγία περί μηχανών (2006/42/ΕΚ)

Οδηγία περί χαμηλής τάσεως ΕΚ (2006/95/ΕΚ)

Οδηγία περί ηλεκτρομαγνητικής συμβατότητας (2004/108/ΕΚ)

Οδηγία RoHS (2011/65/EU)

Εφαρμοσμένα εναρμονισμένα πρότυπα:

EN 60745-1 / A11: 2010

EN 60745-2-11: 2010

EN 62233: 2008

EN 55014-1 / A2: 2011

EN 55014-2 / A2: 2008

EN 60335-1: 2012

EN 60335-2-29 / A2:2010

EN 61000-3-2 / A2: 2009

EN 61000-3-3: 2013

Ονομασία τύπου του μηχανήματος:

σέγα μπαταρίας με τάλαντωση PSTDA 18-Li A1

Έτος κατασκευής: 07-2014

Αύξων αριθμός: IAN 102866

Bochum, 20/6/2014

Semi Uguzlu

- Διευθυντής ποιότητας -

Με την επιφύλαξη τεχνικών αλλαγών υπό την έννοια της συνεχούς ανάπτυξης.



Παραγγελία εφεδρικού συσσωρευτή

Εάν θέλετε να παραγγείλετε έναν εφεδρικό συσσωρευτή για τη συσκευή σας, μπορείτε να το κάνετε άνετα μέσω διαδικτύου στην ηλεκτρονική διεύθυνση www.kompernass.com ή και τηλεφωνικά.

Η τιμή του εφεδρικού συσσωρευτή ανέρχεται σε 20 € συν ΦΠΑ και αποστολή. Αυτό το είδος ενδέχεται, λόγω περιορισμένης ποσότητας αποθεμάτων, να έχει εξαντληθεί μετά από σύντομο χρονικό διάστημα.



Τρεις συσκευές – τρεις συμβατές μπαταρίες. Με δυνατότητα αντικατάστασης μεταξύ τους!

Ηλεκτρονική παραγγελία

Για να παραγγείλετε έναν εφεδρικό συσσωρευτή από το κατάστημα αξεσουάρ:

- Καλέστε με το πρόγραμμα περιήγησης την ιστοσελίδα www.kompernass.com.
- Κάντε κλικ δεξιά κάτω στην αντίστοιχη σημαία, για να επιλέξετε την επιθυμητή χώρα και γλώσσα.
- Κάντε τώρα κλικ στην καρτέλα "Κατάστημα αξεσουάρ" και επιλέξτε στη συνέχεια στην κατηγορία "Προϊόντα με τις περισσότερες πωλήσεις" τον αντίστοιχο εφεδρικό συσσωρευτή για την συσκευή σας.
- Αφού τοποθετήσετε τον εφεδρικό συσσωρευτή στο καλάθι αγορών, κάντε κλικ στο πλήκτρο "Ταμείο" και ακολουθήστε τις εμφανιζόμενες στην οθόνη οδηγίες, για να ολοκληρώσετε την διαδικασία παραγγελίας.

ΥΠΟΔΕΙΞΗ

- ▶ Η παραγγελία ανταλλακτικών δεν μπορεί να διεξαχθεί ηλεκτρονικά σε ορισμένες χώρες. Σε αυτή την περίπτωση επικοινωνήστε με την ανοιχτή τηλεφωνική γραμμή του σέρβις.
- Η ενέργεια περιορίζεται σε έναν συσσωρευτή ανά πελάτη/συσκευή, καθώς και σε χρονικό διάστημα ενός μήνα μετά την χρονική περίοδο ενέργειας. Κατόπιν ο εφεδρικός συσσωρευτής μπορεί να παραγελθεί ως ανταλλακτικό με άλλους όρους.

Τηλεφωνική παραγγελία

- Ⓜ **GR** Σέρβις Ελλάδα
Tel.: 801 5000 019 (0,03 EUR/Min.)
- Ⓜ **CY** Σέρβις Κύπρος
Tel.: 8009 4409

Για να εξασφαλίσουμε τη γρήγορη επεξεργασία της παραγγελίας σας, να έχετε για όλες τις ερωτήσεις σε ετοιμότητα τον κωδικό προϊόντος (π.χ. IAN 102866) της συσκευής. Μπορείτε να βρείτε τον κωδικό προϊόντος στην πινακίδα τύπου ή στην πρώτη σελίδα αυτών των οδηγιών.

Inhaltsverzeichnis

Einleitung	26
Bestimmungsgemäßer Gebrauch	26
Ausstattung	26
Lieferumfang	26
Technische Daten	26
Allgemeine Sicherheitshinweise für Elektrowerkzeuge	27
1. Arbeitsplatz-Sicherheit	27
2. Elektrische Sicherheit	27
3. Sicherheit von Personen	28
4. Verwendung und Behandlung des Elektrowerkzeugs	28
5. Verwendung und Behandlung des Akkuwerkzeugs	29
6. Service	29
Gerätespezifische Sicherheitshinweise für Stichsägen	29
Sicherheitshinweise für Ladegeräte	29
Ergänzende Anweisungen	30
Originalzubehör/-zusatzgeräte	30
Informationen zu Sägeblättern	30
Vor der Inbetriebnahme	30
Akku-Pack laden (siehe Abb. A)	30
Akku-Pack ins Gerät einsetzen / entnehmen	31
Akkuzustand prüfen	31
Inbetriebnahme	31
Sägeblatt montieren / wechseln	31
Schutzhaube montieren	31
Parallelanschlag montieren	31
Spanabsaugung anschließen	31
Spanblasfunktion	31
Spanreißschutz montieren	32
Gleitschuh montieren	32
Bedienung	32
Schnittwinkel einstellen	32
Hubzahl einstellen	32
Pendelhub einstellen	32
Einschalten / Ausschalten	32
Wartung und Reinigung	32
Garantie	33
Service	33
Importeur	33
Entsorgung	34
Original-Konformitätserklärung	34
Ersatz-Akku Bestellung	35
Online-Bestellung	35
Telefonische Bestellung	35

AKKU-PENDELHUBSTICHSÄGE PSTDA 18-Li A1

Einleitung



Wir beglückwünschen Sie zum Kauf Ihres neuen Gerätes. Sie haben sich damit für ein hochwertiges Produkt entschieden. Die Bedienungsanleitung ist Teil dieses Produkts. Sie enthält wichtige Hinweise für Sicherheit,

Gebrauch und Entsorgung. Machen Sie sich vor der Benutzung des Produkts mit allen Bedien- und Sicherheitshinweisen vertraut. Benutzen Sie das Produkt nur wie beschrieben und für die angegebenen Einsatzbereiche. Händigen Sie alle Unterlagen bei Weitergabe des Produkts an Dritte mit aus.

Bestimmungsgemäßer Gebrauch

Das Gerät ist für gerade und kurvige Schnitte sowie Gehrungsschnitte bis 45° an kantigen Werkstücken aus Kunststoff, Holz und Leichtmetall geeignet. Das Gerät ist ausschließlich für den privaten Gebrauch in trockenen Räumen zugelassen. Beachten Sie die Hinweise zu Sägeblatttypen. Jede andere Verwendung oder Veränderung des Gerätes gilt als nicht bestimmungsgemäß und birgt erhebliche Unfallgefahren. Für aus bestimmungswidriger Verwendung entstandene Schäden übernimmt der Hersteller keine Haftung.

Ausstattung

- 1 Einschaltsperrleiste für Ein-/Ausschalter
- 2 Ein-/Aus-Schalter
- 3 Gehäuse
- 4 Taste zur Entriegelung des Akku-Packs
- 5 Akku-Pack
- 6 Absaugstutzen
- 7 Schalter Späneblasvorrichtung
- 8 Fußplatte
- 9 Gleitschuh (abnehmbar)
- 10 Pendelhubschalter
- 11 Parallelanschlag
- 12 Führungsrolle
- 13 Sägeblatt
- 14 Spanreißschutz
- 15 Einschuböffnungen (jeweils inkl. Feststellschraube)
- 16 Schutzbügel
- 17 Schnellspannfutter
- 18 Schutzhaube
- 19 Arbeitslicht
- 20 Klemmschrauben

- 21 Verzahnung
- 22 Taste Akkuzustand
- 23 Akku-Display-LED
- 24 Schnell-Ladegerät
- 25 Rote Ladekontroll-LED
- 26 Grüne Ladekontroll-LED

Lieferumfang

- 1 Akku-Pendelhubstichsäge inkl. Absaugstutzen
- 1 Akku-Schnellladegerät
- 1 Parallelanschlag
- 2 Sägeblätter zur Holzbearbeitung
- 1 Sägeblatt zur Metallbearbeitung
- 1 Sechskantschlüssel
- 1 Spanreißschutz
- 1 Betriebsanleitung

Technische Daten

Akku-Pendelhubstichsäge:

PSTDA 18-Li A1

Nennspannung:	18 V \equiv
Leerlauf-Hubzahl:	n_0 0 - 2700 min ⁻¹
Hub:	20 mm
Pendelhub:	3 Stufen und Feinschnitt-Einstellung
Schnitttiefe:	Holz / Aluminium / Metall: 80/12/5 mm
Schnitte:	0° - 15° - 30° - 45° links/rechts

Akku: PAP 18 A1

Typ:	LITHIUM-IONEN
Nennspannung:	18 V \equiv
Kapazität:	1,5 Ah

Akku-Schnellladegerät: PLG 18 A1

EINGANG / Input:

Nennspannung:	230 - 240 V \sim , 50 Hz
Leistungsaufnahme:	40 W

AUSGANG / Output:

Nennspannung:	18 V \equiv
Ladestrom:	1,8 A
Ladedauer:	ca. 60 min
Sicherung (innen):	2 A $\frac{T2A}{\square}$
Schutzklasse:	II / \square

Geräusch- und Vibrationsinformationen:

Messwert für Geräusch ermittelt entsprechend EN ISO 4871. Der A-bewertete Geräuschpegel des Elektrowerkzeugs beträgt typischerweise:

Schalldruckpegel: 80 dB(A)

Schallleistungspegel: 91 dB(A)

Unsicherheit K: 3 dB



Gehörschutz tragen!

Bewertete Beschleunigung, typischerweise:

Hand-/Armvibration $a_h = 9,2 \text{ m/s}^2$

Unsicherheit K = $1,5 \text{ m/s}^2$

HINWEIS

- Der in diesen Anweisungen angegebene Schwingungspegel ist entsprechend einem in EN 60745 genormten Messverfahren gemessen worden und kann für den Gerätevergleich verwendet werden. Der angegebene Schwingungsemissionswert kann auch zu einer einleitenden Einschätzung der Aussetzung verwendet werden.

! WARNUNG!

- Der Schwingungspegel wird sich entsprechend dem Einsatz des Elektrowerkzeugs verändern und kann in manchen Fällen über dem in diesen Anweisungen angegebenen Wert liegen. Die Schwingungsbelastung könnte unterschätzt werden, wenn das Elektrowerkzeug regelmäßig in solcher Weise verwendet wird. Versuchen Sie, die Belastung durch Vibrationen so gering wie möglich zu halten. Beispielhafte Maßnahmen zur Verringerung der Vibrationsbelastung sind das Tragen von Handschuhen beim Gebrauch des Werkzeugs und die Begrenzung der Arbeitszeit. Dabei sind alle Anteile des Betriebszyklus zu berücksichtigen (beispielweise Zeiten, in denen das Elektrowerkzeug abgeschaltet ist, und solche, in denen es zwar eingeschaltet ist, aber ohne Belastung läuft).



Allgemeine Sicherheitshinweise für Elektrowerkzeuge

! WARNUNG!

- Lesen Sie alle Sicherheitshinweise und Anweisungen. Versäumnisse bei der Einhaltung der Sicherheitshinweise und Anweisungen können elektrischen Schlag, Brand und/oder schwere Verletzungen verursachen.

Bewahren Sie alle Sicherheitshinweise und Anweisungen für die Zukunft auf.

Der in den Sicherheitshinweisen verwendete Begriff „Elektrowerkzeug“ bezieht sich auf netzbetriebene Elektrowerkzeuge (mit Netzkabel) und auf akkubetriebene Elektrowerkzeuge (ohne Netzkabel).

1. Arbeitsplatz-Sicherheit

- Halten Sie Ihren Arbeitsbereich sauber und gut beleuchtet.** Unordnung und unbeleuchtete Arbeitsbereiche können zu Unfällen führen.
- Arbeiten Sie mit dem Elektrowerkzeug nicht in explosionsgefährdeter Umgebung, in der sich brennbare Flüssigkeiten, Gase oder Stäube befinden.** Elektrowerkzeuge erzeugen Funken, die den Staub oder die Dämpfe entzünden können.
- Halten Sie Kinder und andere Personen während der Benutzung des Elektrowerkzeugs fern.** Bei Ablenkung können Sie die Kontrolle über das Gerät verlieren.

2. Elektrische Sicherheit

- Der Anschlussstecker des Elektrowerkzeugs muss in die Steckdose passen. Der Stecker darf in keiner Weise verändert werden.** Verwenden Sie keine Adapterstecker gemeinsam mit schutzgeerdeten Elektrowerkzeugen. Unveränderte Stecker und passende Steckdosen verringern das Risiko eines elektrischen Schlages.
- Vermeiden Sie Körperkontakt mit geerdeten Oberflächen, wie von Rohren, Heizungen, Herden und Kühlschränken.** Es besteht ein erhöhtes Risiko durch elektrischen Schlag, wenn Ihr Körper geerdet ist.

- c) Halten Sie Elektrowerkzeuge von Regen oder Nässe fern. Das Eindringen von Wasser in ein Elektrogerät erhöht das Risiko eines elektrischen Schlages.
- d) Zweckentfremden Sie das Kabel nicht, um das Elektrowerkzeug zu tragen, aufzuhängen oder um den Stecker aus der Steckdose zu ziehen. Halten Sie das Kabel fern von Hitze, Öl, scharfen Kanten oder sich bewegenden Geräteteilen. Beschädigte oder verwickelte Kabel erhöhen das Risiko eines elektrischen Schlages.
- e) Wenn Sie mit einem Elektrowerkzeug im Freien arbeiten, verwenden Sie nur Verlängerungskabel, die auch für den Außenbereich zugelassen sind. Die Anwendung eines für den Außenbereich geeigneten Verlängerungskabels verringert das Risiko eines elektrischen Schlages.
- f) Wenn der Betrieb des Elektrowerkzeuges in feuchter Umgebung nicht vermeidbar ist, verwenden Sie einen Fehlerstromschutzschalter. Der Einsatz eines Fehlerstromschutzschalters vermindert das Risiko eines elektrischen Schlages.
- d) Entfernen Sie Einstellwerkzeuge oder Schraubenschlüssel, bevor Sie das Elektrowerkzeug einschalten. Ein Werkzeug oder Schlüssel, der sich in einem drehenden Geräteteil befindet, kann zu Verletzungen führen.
- e) Vermeiden Sie eine abnormale Körperhaltung. Sorgen Sie für einen sicheren Stand und halten Sie jederzeit das Gleichgewicht. Dadurch können Sie das Elektrowerkzeug in unerwarteten Situationen besser kontrollieren.
- f) Tragen Sie geeignete Kleidung. Tragen Sie keine weite Kleidung oder Schmuck. Halten Sie Haare, Kleidung und Handschuhe fern von sich bewegenden Teilen. Lockere Kleidung, Schmuck oder lange Haare können von sich bewegenden Teilen erfasst werden.
- g) Wenn Staubabsaug- und -auffangeinrichtungen montiert werden können, vergewissern Sie sich, dass diese angeschlossen sind und richtig verwendet werden. Die Verwendung einer Staubabsaugung kann Gefährdungen durch Staub verringern.

3. Sicherheit von Personen

- a) Seien Sie stets aufmerksam, achten Sie darauf, was Sie tun und gehen Sie mit Vernunft an die Arbeit mit einem Elektrowerkzeug. Benutzen Sie kein Elektrowerkzeug, wenn Sie müde sind oder unter dem Einfluss von Drogen, Alkohol oder Medikamenten stehen. Ein Moment der Unachtsamkeit beim Gebrauch des Elektrowerkzeuges kann zu ernsthaften Verletzungen führen.
- b) Tragen Sie persönliche Schutzausrüstung und immer eine Schutzbrille. Das Tragen persönlicher Schutzausrüstung wie Staubmaske, rutschfeste Sicherheitsschuhe, Schutzhelm oder Gehörschutz, je nach Art und Einsatz des Elektrowerkzeuges, verringert das Risiko von Verletzungen.
- c) Vermeiden Sie eine unbeabsichtigte Inbetriebnahme. Vergewissern Sie sich, dass das Elektrowerkzeug ausgeschaltet ist, bevor Sie es an die Stromversorgung und / oder den Akku anschließen, es aufnehmen oder tragen. Wenn Sie beim Tragen des Elektrowerkzeuges den Finger am Schalter haben oder das Gerät bereits eingeschaltet an die Stromversorgung anschließen, kann dies zu Unfällen führen.

4. Verwendung und Behandlung des Elektrowerkzeugs

- a) Überlasten Sie das Gerät nicht. Verwenden Sie für Ihre Arbeit das dafür bestimmte Elektrowerkzeug. Mit dem passenden Elektrowerkzeug arbeiten Sie besser und sicherer im angegebenen Leistungsbereich.
- b) Benutzen Sie kein Elektrowerkzeug, dessen Schalter defekt ist. Ein Elektrowerkzeug, das sich nicht mehr ein- oder ausschalten lässt, ist gefährlich und muss repariert werden.
- c) Ziehen Sie den Stecker aus der Steckdose und / oder entfernen Sie den Akku, bevor Sie Geräteeinstellungen vornehmen, Zubehörteile wechseln oder das Gerät weglegen. Diese Vorsichtsmaßnahme verhindert den unbeabsichtigten Start des Elektrowerkzeuges.
- d) Bewahren Sie unbenutzte Elektrowerkzeuge außerhalb der Reichweite von Kindern auf. Lassen Sie Personen das Gerät nicht benutzen, die mit diesem nicht vertraut sind oder diese Anweisungen nicht gelesen haben. Elektrowerkzeuge sind gefährlich, wenn sie von unerfahrenen Personen benutzt werden.

- e) Pflegen Sie Elektrowerkzeuge mit Sorgfalt. Kontrollieren Sie, ob bewegliche Teile einwandfrei funktionieren und nicht klemmen, ob Teile gebrochen oder so beschädigt sind, dass die Funktion des Elektrowerkzeuges beeinträchtigt ist. Lassen Sie beschädigte Teile vor dem Einsatz des Gerätes reparieren. Viele Unfälle haben ihre Ursache in schlecht gewarteten Elektrowerkzeugen.
- f) Halten Sie Schneidwerkzeuge scharf und sauber. Sorgfältig gepflegte Schneidwerkzeuge mit scharfen Schneidkanten verklemmen sich weniger und sind leichter zu führen.
- g) Verwenden Sie Elektrowerkzeug, Zubehör, Einsatzwerkzeuge usw. entsprechend diesen Anweisungen. Berücksichtigen Sie dabei die Arbeitsbedingungen und die auszuführende Tätigkeit. Der Gebrauch von Elektrowerkzeugen für andere als die vorgesehenen Anwendungen kann zu gefährlichen Situationen führen.

5. Verwendung und Behandlung des Akkuwerkzeugs

- a) Laden Sie die Akkus nur in Ladegeräten auf, die vom Hersteller empfohlen werden. Für ein Ladegerät, das für eine bestimmte Art von Akkus geeignet ist, besteht Brandgefahr, wenn es mit anderen Akkus verwendet wird.
- b) Verwenden Sie nur die dafür vorgesehenen Akkus in den Elektrowerkzeugen. Der Gebrauch von anderen Akkus kann zu Verletzungen und Brandgefahr führen.
- c) Halten Sie den nicht benutzten Akku fern von Büroklammern, Münzen, Schlüsseln, Nägeln, Schrauben oder anderen kleinen Metallgegenständen, die eine Überbrückung der Kontakte verursachen könnten. Ein Kurzschluss zwischen den Akkukontakten kann Verbrennungen oder Feuer zur Folge haben.
- d) Bei falscher Anwendung kann Flüssigkeit aus dem Akku austreten. Vermeiden Sie den Kontakt damit. Bei zufälligem Kontakt mit Wasser abspülen. Wenn die Flüssigkeit in die Augen kommt, nehmen Sie zusätzlich ärztliche Hilfe in Anspruch. Austretende Akkuflüssigkeit kann zu Hautreizungen oder Verbrennungen führen.



VORSICHT! EXPLOSIONSGEFAHR!
Laden Sie nicht aufladbare Batterien niemals auf.



Schützen Sie den Akku vor Hitze, z. B. auch vor dauernder Sonneneinstrahlung, Feuer, Wasser und Feuchtigkeit.

Es Besteht Explosionsgefahr.



6. Service

- a) Lassen Sie Ihr Elektrowerkzeug nur von qualifiziertem Fachpersonal und nur mit Original-Ersatzteilen reparieren. Damit wird sichergestellt, dass die Sicherheit des Elektrowerkzeugs erhalten bleibt.

Gerätespezifische Sicherheitshinweise für Stichsäge

- Halten Sie das Elektrowerkzeug an den isolierten Griffflächen, wenn Sie Arbeiten ausführen, bei denen das Elektrowerkzeug verborgene Stromleitungen treffen kann. Der Kontakt mit einer spannungsführenden Leitung kann auch metallene Geräteteile unter Spannung setzen und zu einem elektrischen Schlag führen.

Sicherheitshinweise für Ladegeräte

- Dieses Gerät kann von Kindern ab 8 Jahren und darüber sowie von Personen mit verringerten physischen, sensorischen oder mentalen Fähigkeiten oder Mangel an Erfahrung und Wissen benutzt werden, wenn sie beaufsichtigt oder bezüglich des sicheren Gebrauchs des Gerätes unterwiesen wurden und die daraus resultierenden Gefahren verstehen. Kinder dürfen nicht mit dem Gerät spielen. Reinigung und Benutzer-Wartung dürfen nicht von Kindern ohne Beaufsichtigung durchgeführt werden.



Das Ladegerät ist nur für den Betrieb im Innenbereich geeignet.

! WARNUNG!

- Betreiben Sie das Gerät nicht mit beschädigtem Kabel, Netzkabel oder Netzstecker. Beschädigte Netzkabel bedeuten Lebensgefahr durch elektrischen Schlag.

Ergänzende Anweisungen

- Halten Sie die Hände vom Sägebereich fern. Greifen Sie nicht unter das Werkstück. Bei Kontakt mit dem Sägeblatt besteht Verletzungsgefahr.
- **Halten Sie die Hände von der Hubstange und dem Schnellspannfutter fern.** Bei Kontakt mit den Bauteilen besteht Quetschungsgefahr.
- Führen Sie das Elektrowerkzeug nur eingeschaltet gegen das Werkstück. Es besteht sonst die Gefahr eines Rückschlages.
- Achten Sie darauf, dass die Fußplatte **8** und der Gleitschuh **9** beim Sägen aufliegt.
- Wenn Sie den Spanneißschutz **14** verwenden möchten, entfernen Sie zuerst den Gleitschuh **9**.
- Schalten Sie nach Beendigung des Arbeitsvorgangs das Elektrowerkzeug aus und ziehen Sie das Sägeblatt **15** erst dann aus dem Schnitt, wenn dieses zum Stillstand gekommen ist. So vermeiden Sie einen Rückschlag und können das Elektrowerkzeug sicher ablegen.
- Verwenden Sie nur unbeschädigte und einwandfreie Sägeblätter. Verbogene und stumpfe Sägeblätter können brechen oder einen Rückschlag verursachen.
- Sichern Sie das Werkstück. Benutzen Sie Spannvorrichtungen/Schraubstock, um das Werkstück festzuhalten. Es ist damit sicherer gehalten, als mit Ihrer Hand.
- Bearbeiten Sie keine angefeuchteten Materialien oder feuchte Flächen.
- **Gefährdung durch Staub!** Schließen Sie bei längerem Bearbeiten von Holz und insbesondere wenn Materialien bearbeitet werden, bei denen gesundheitsgefährdende Stäube entstehen, das Gerät an eine geeignete Staubabsaugvorrichtung an.
- Tragen Sie eine Staubschutzmaske!
- Sorgen Sie für ausreichende Belüftung.

Originalzubehör / -zusatzgeräte

- **Benutzen Sie nur Zubehör und Zusatzgeräte, die in der Bedienungsanleitung angegeben sind bzw. deren Aufnahme mit dem Gerät kompatibel ist.**

Informationen zu Sägeblättern

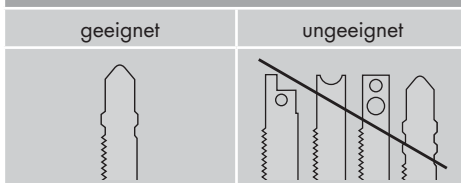
Die Parkside-Grundausstattung beinhaltet bereits Sägeblätter für Hauptanwendungen in Holz und Metall.

- 2 Sägeblätter für allgemeine Holzschnitte
- 1 Sägeblatt für Leichtmetalle bis 3 mm

HINWEIS

- ▶ Sie können jedes Sägeblatt verwenden, vorausgesetzt, es ist mit der passenden Aufnahme (Einnockenschaft) versehen.

Sägeblatttyp



Vor der Inbetriebnahme

Akku-Pack laden (siehe Abb. A)

⚠ VORSICHT!

- ▶ Ziehen Sie immer den Netzstecker, bevor Sie den Akku-Pack aus dem Ladegerät nehmen bzw. einsetzen.

HINWEIS

- ▶ Drei Geräte - drei kompatible Akkus. Untereinander austauschbar! (siehe Kapitel Ersatz-Akku Bestellung)
- Laden Sie den Akku-Pack nie, wenn die Umgebungstemperatur unterhalb 10 °C oder oberhalb 40 °C liegt.
- ◆ Stecken Sie den Akku-Pack **5** in das Schnell-Ladegerät **24** (siehe Abb. A).
- ◆ Stecken Sie den Netzstecker in die Steckdose. Die Kontroll-LED **25** leuchtet rot.
- ◆ Die grüne Kontroll-LED **25** signalisiert Ihnen, dass der Ladevorgang abgeschlossen und der Akku-Pack **5** einsatzbereit ist.
- ◆ Schieben Sie den Akku-Pack **5** in das Gerät ein.
- Laden Sie einen Akku-Pack niemals unmittelbar

nach dem Schnell-Ladevorgang ein zweites Mal auf. Es besteht die Gefahr, dass der Akku-Pack überladen und dadurch die Lebensdauer von Akku und Ladegerät verringert wird.

- ◆ Schalten Sie das Ladegerät zwischen aufeinanderfolgenden Ladevorgängen für mindestens 15 Minuten ab.
Ziehen Sie dazu den Netzstecker.

Akku-Pack ins Gerät einsetzen / entnehmen

Akku-Pack einsetzen:

- ◆ Lassen Sie den Akku-Pack **5** in das Gerät einrasten.

Akku-Pack entnehmen:

- ◆ Drücken Sie die Taste zur Entriegelung **4** und entnehmen Sie den Akku-Pack.

Akkuzustand prüfen

- ◆ Drücken Sie zum Prüfen des Akkuzustands die Taste Akkuzustand **22** (siehe auch Hauptabbildung).
Der Zustand bzw. die Restleistung wird in der Akku-Display-LED **23** wie folgt angezeigt:
- ◆ ROT / ORANGE / GRÜN = maximale Ladung / Leistung
ROT / ORANGE = mittlere Ladung / Leistung
ROT = schwache Ladung - Akku aufladen

Inbetriebnahme

Sägeblatt montieren / wechseln

Nehmen Sie den Akku vor allen Arbeiten am Elektrowerkzeug (z. B. Wartung, Werkzeugwechsel etc.) sowie bei dessen Transport und Aufbewahrung aus dem Elektrowerkzeug.
Bei unbeabsichtigtem Betätigen des Ein-/Ausschalters besteht Verletzungsgefahr.

- ◆ Drücken Sie die Schutzhaube **18** auf Höhe der äußeren Halterungen zusammen und ziehen Sie sie nach vorn ab.
- ◆ Drehen Sie das Schnellspannfutter **17** und halten Sie es gedreht.
- ◆ Drücken Sie das benötigte Sägeblatt bis zum Anschlag in das Schnellspannfutter **17**.

- ◆ Lassen Sie das Schnellspannfutter **17** los, es muss in seine Ausgangsposition zurückkehren. Das Sägeblatt ist nun verriegelt.

Schutzhaube montieren

Montieren Sie die Schutzhaube **18**, bevor Sie das Gerät an eine Staubabsaugung anschließen.

- ◆ Setzen Sie die Schutzhaube **18** so auf das Gerät, dass die beiden äußeren Halterungen in den Aussparungen des Gehäuses einrasten.
- ◆ Nehmen Sie die Schutzhaube **18** für Arbeiten ohne Staubabsaugung sowie für Gehrungsschnitte ab. Drücken Sie dafür die Schutzhaube **18** auf Höhe der äußeren Halterungen zusammen und ziehen Sie sie nach vorn ab.

Parallelanschlag montieren

Der Parallelanschlag **11** kann links oder rechts am Gerät befestigt werden.

- ◆ Lösen Sie die beiden Feststellschrauben der Einschuböffnungen **15**.
- ◆ Schieben Sie den Parallelanschlag **11** in die Einschuböffnungen **15**.
- ◆ Schrauben Sie die beiden Feststellschrauben wieder fest.

Spanabsaugung anschließen

- ◆ Stecken Sie den Absaugstutzen **6** in den Absaugkanal bis dieser festklemmt.
Wahlweise je nach Durchmesser von der Staub- und Spanabsaugung.
- ◆ Schließen Sie eine zugelassene Staub- und Spanabsaugung an den Absaugstutzen **6** an.

Absaugfunktion unterstützen:

- ◆ Schieben Sie den Schalter Späneblasvorrichtung **7** nach hinten.

Spanblasfunktion

Spanblasfunktion einschalten:

- ◆ Schieben Sie den Schalter Späneblasvorrichtung **7** nach vorne.

Spanreißschutz montieren

Der Spanreißschutz **14** kann ein Ausreißen der Oberfläche beim Sägen von Holz verhindern. Der Spanreißschutz **14** kann nur bei bestimmten Sägeblatttypen, ohne Gleitschuh **9** und nur bei einem Schnittwinkel von 0° verwendet werden.

- ◆ Drücken Sie den Spanreißschutz **14** von unten in die Fußplatte **8** ein (Auskerbung nach oben).

Gleitschuh montieren

Bei der Bearbeitung von empfindlichen Oberflächen können Sie den Gleitschuh **9** auf die Fußplatte **8** aufsetzen, um ein Verkratzen der Oberfläche zu vermeiden.

- ◆ Hängen Sie den Gleitschuh **9** vorne an die Fußplatte **8** ein und drücken Sie ihn hinten hoch, bis er an der Fußplatte **8** einrastet.
- ◆ Zum Abnehmen des Gleitschuhs **9**, lösen Sie ihn am hinteren Teil der Fußplatte **8** und nehmen ihn nach vorne hin ab.

Bedienung

Schnittwinkel einstellen

- ◆ Lösen Sie die Klemmschrauben **20** mit dem mitgelieferten Sechskantschlüssel und ziehen die Fußplatte **8** nach hinten.
- ◆ Stellen Sie den Schnittwinkel 0° / 15° / 30° / 45° mit Hilfe der Markierungen an der Fußplatte **8** ein. Schieben Sie die Fußplatte **8** nach vorne, damit der Arretierstift in die Verzahnung **21** einrastet.
- ◆ Spannen Sie die Klemmschrauben **20** mit dem Sechskantschlüssel.

Hubzahl einstellen

Der EIN- / AUS-Schalter **2** verfügt über eine variable Geschwindigkeitsregelung. Leichter Druck auf den EIN- / AUS-Schalter **2** bewirkt eine niedrige Drehzahl. Mit zunehmendem Druck erhöht sich die Drehzahl.

HINWEIS

- ▶ Die integrierte Motorbremse sorgt für einen schnellen Stillstand.

Pendelhub einstellen

- ◆ Sie können mit dem Pendelhubschalter **10** die Pendelbewegung des Sägeblattes **13** einstellen. Ohne Pendelbewegung (Stellung „0“) erzielen Sie feine und saubere Schnittkanten. Stellen Sie bei dünnen Werkstücken den Pendelhub ab. Mit aktiviertem Pendelhub (Stellung 1-3) erzielen Sie einen zunehmend schnelleren Arbeitsfortschritt.

Einschalten / Ausschalten

Gerät einschalten:

- ◆ Drücken Sie die Einschaltsperrleiste **1** nach links oder rechts und halten diese gedrückt.
- ◆ Betätigen Sie den EIN-/AUS-Schalter **2**. Nachdem die Maschine angelaufen ist, können Sie die Einschaltsperrleiste **1** wieder loslassen. Das Arbeitslicht **19** leuchtet bei leicht oder vollständig gedrücktem EIN- / AUS-Schalter **2**. Es ermöglicht so das Ausleuchten des Arbeitsbereiches bei ungünstigen Lichtverhältnissen.

Gerät ausschalten:

Lassen Sie den EIN-/AUS-Schalter **2** los.

Wartung und Reinigung



WARNUNG! VERLETZUNGSGEFAHR!
Schalten Sie vor allen Arbeiten am Gerät das Gerät aus und entnehmen Sie den Akku.

- Das Gerät muss stets sauber, trocken und frei von Öl oder Schmierfetten sein.
- Verwenden Sie zum Reinigen des Gehäuses ein trockenes Tuch.
- Soll ein Lithium-Ionen-Akku längere Zeit gelagert werden, muss regelmäßig der Ladezustand kontrolliert werden. Der optimale Ladezustand liegt zwischen 50 % und 80 %. Das optimale Lagerungsklima ist kühl und trocken.
- Führen Sie die Reinigung des Gerätes im Anschluss an Ihre Sägearbeit durch.
- Entfernen Sie Verschmutzungen (z.B. durch Sägespäne). Reinigen Sie die Sägeblattaufnahme ggf. mit einem Pinsel oder durch Ausblasen mit Druckluft.

Garantie

Sie erhalten auf dieses Gerät 3 Jahre Garantie ab Kaufdatum. Das Gerät wurde sorgfältig produziert und vor Anlieferung gewissenhaft geprüft. Bitte bewahren Sie den Kassenbon als Nachweis für den Kauf auf. Bitte setzen Sie sich im Garantiefall mit Ihrer Servicestelle telefonisch in Verbindung. Nur so kann eine kostenlose Einsendung Ihrer Ware gewährleistet werden.

Die Garantieleistung gilt nur für Material- oder Fabrikationsfehler, nicht aber für Transportschäden, Verschleißteile oder für Beschädigungen an zerbrechlichen Teilen, z. B. Schalter oder Akkus. Das Produkt ist lediglich für den privaten und nicht für den gewerblichen Gebrauch bestimmt.

Bei missbräuchlicher und unsachgemäßer Behandlung, Gewaltanwendung und bei Eingriffen, die nicht von unserer autorisierten Service-Niederlassung vorgenommen wurden, erlischt die Garantie. Ihre gesetzlichen Rechte werden durch diese Garantie nicht eingeschränkt.

Die Garantiezeit wird durch die Gewährleistung nicht verlängert. Dies gilt auch für ersetzte und reparierte Teile. Eventuell schon beim Kauf vorhandene Schäden und Mängel müssen sofort nach dem Auspacken gemeldet werden, spätestens aber zwei Tage nach Kaufdatum. Nach Ablauf der Garantiezeit anfallende Reparaturen sind kostenpflichtig.

Service

WARNUNG!

- ▶ Lassen Sie Ihre Geräte von der Servicestelle oder einer Elektrofachkraft und nur mit Original-Ersatzteilen reparieren. Damit wird sichergestellt, dass die Sicherheit des Gerätes erhalten bleibt.
- ▶ Lassen Sie den Austausch des Steckers oder der Netzleitung immer vom Hersteller des Gerätes oder seinem Kundendienst ausführen. Damit wird sichergestellt, dass die Sicherheit des Gerätes erhalten bleibt.

DE Service Deutschland

Tel.: 0800 5435 111

E-Mail: kompennass@lidl.de

IAN 102866

AT Service Österreich

Tel.: 0820 201 222 (0,15 EUR/Min.)

E-Mail: kompennass@lidl.at

IAN 102866

CH Service Schweiz

Tel.: 0842 665566 (0,08 CHF/Min.,

Mobilfunk max. 0,40 CHF/Min.)

E-Mail: kompennass@lidl.ch

IAN 102866

Erreichbarkeit Hotline: Montag bis Freitag von 8:00 Uhr – 20:00 Uhr (MEZ)

Importeur

KOMPENASS HANDELS GMBH

BURGSTRASSE 21

44867 BOCHUM

GERMANY

www.kompennass.com

Entsorgung



Die Verpackung besteht aus umweltfreundlichen Materialien, die Sie über die örtlichen Recyclingstellen entsorgen können.



Werfen Sie Elektrowerkzeuge nicht in den Hausmüll!

Gemäß Europäischer Richtlinie 2012/19/EU müssen verbrauchte Elektrowerkzeuge getrennt gesammelt und einer umweltgerechten Wiederverwertung zugeführt werden.



Werfen Sie Akkus nicht in den Hausmüll!

Defekte oder verbrauchte Akkus müssen gemäß Richtlinie 2006/66/EC recycelt werden. Geben Sie Akku-Pack und /oder das Gerät über die angebotenen Sammeleinrichtungen zurück. Über Entsorgungsmöglichkeiten für ausgediente Elektrowerkzeuge / Akku-Pack informieren Sie sich bitte bei Ihrer Gemeinde- oder Stadtverwaltung.

Original-Konformitätserklärung

Wir, KOMPERNASS HANDELS GMBH, Dokumentenverantwortlicher: Herr Semi Uguzlu, BURGSTR. 21, 44867 BOCHUM, DEUTSCHLAND, erklären hiermit, dass dieses Produkt mit den folgenden Normen, normativen Dokumenten und EG-Richtlinien übereinstimmt:

Maschinenrichtlinie (2006/42/EC)

EG-Niederspannungsrichtlinie (2006/95/EC)

Elektromagnetische Verträglichkeit (2004/108/EC)

RoHS Richtlinie (2011/65/EU)

Angewandte harmonisierte Normen:

EN 60745-1 / A11: 2010

EN 60745-2-11: 2010

EN 62233: 2008

EN 55014-1 / A2: 2011

EN 55014-2 / A2: 2008

EN 60335-1: 2012

EN 60335-2-29 / A2:2010

EN 61000-3-2 / A2: 2009

EN 61000-3-3: 2013

Typbezeichnung der Maschine:

Akku-Pendelhubstichsäge PSTDA 18-Li A1

Herstellungsjahr: 07-2014

Seriennummer: IAN 102866

Bochum, 20.06.2014



Semi Uguzlu

- Qualitätsmanager -

Technische Änderungen im Sinne der Weiterentwicklung sind vorbehalten.

Ersatz-Akku Bestellung

Wenn Sie einen Ersatz-Akku für Ihr Gerät bestellen möchten, so können Sie dies entweder bequem im Internet unter www.kompennass.com oder telefonisch abwickeln.

Der Preis des Ersatz-Akkus beträgt 20 € inkl. MwSt. und Versand. Dieser Artikel kann aufgrund begrenzter Vorratsmenge nach kurzer Zeit ausverkauft sein.



Drei Geräte - drei kompatible Akkus.
Untereinander austauschbar!

DE
AT
CH

Online-Bestellung

Um einen Ersatz-Akku über den Zubehör-Shop zu bestellen:

- Rufen Sie mit Ihrem Internetbrowser die Seite www.kompennass.com auf.
- Klicken Sie rechts unten auf die entsprechende Flagge, um das gewünschte Land und die Sprache auszuwählen.
- Klicken Sie jetzt auf den Reiter „Zubehör-Shop“ und wählen anschließend unter der Rubrik „Topseller“ den passenden Ersatz-Akku zu Ihrem Gerät aus.
- Nachdem Sie den Ersatz-Akku in den Warenkorb gelegt haben, klicken Sie auf die Schaltfläche „Kasse“ und befolgen die auf dem Bildschirm angezeigten Anweisungen, um den Bestellvorgang abzuschließen.

HINWEIS

- ▶ Die Bestellung von Ersatzteilen kann in einigen Ländern nicht online vorgenommen werden. Kontaktieren Sie in diesem Fall bitte die Service-Hotline.
- Die Aktion ist begrenzt auf einen Akku pro Kunde / Gerät, sowie auf eine Laufzeit von einem Monat nach dem Aktionszeitraum. Danach kann der Ersatzakku als Ersatzteil zu anderen Konditionen weiterhin bestellt werden.

Telefonische Bestellung

DE Service Deutschland

Tel.: 0800 5435 111 (Kostenfrei aus dem dt. Festnetz/Mobilfunknetz)

Um eine schnelle Bearbeitung Ihrer Bestellung zu gewährleisten, halten Sie bitte für alle Anfragen die Artikelnummer (z.B. IAN 102866) des Gerätes bereit. Die Artikelnummer entnehmen Sie bitte dem Typenschild oder dem Titelblatt dieser Anleitung.

KOMPERNASS HANDELS GMBH

BURGSTRASSE 21

44867 BOCHUM

DEUTSCHLAND / GERMANY

www.kompernass.com

Last Information Update · Έκδοση των πληροφοριών

Stand der Informationen:

07 / 2014 Ident.-No.: PSTDA18-LiA1-072014-5

IAN 102866