

/// PARKSIDE®



CAR POLISHER SPOT REPAIR PPM 800 A1

GB IE NI CY

CAR POLISHER SPOT REPAIR

Translation of the original instructions

DE AT CH

POLIERMASCHINE SPOT-REPAIR

Originalbetriebsanleitung

IAN 449752_2310

NI IE

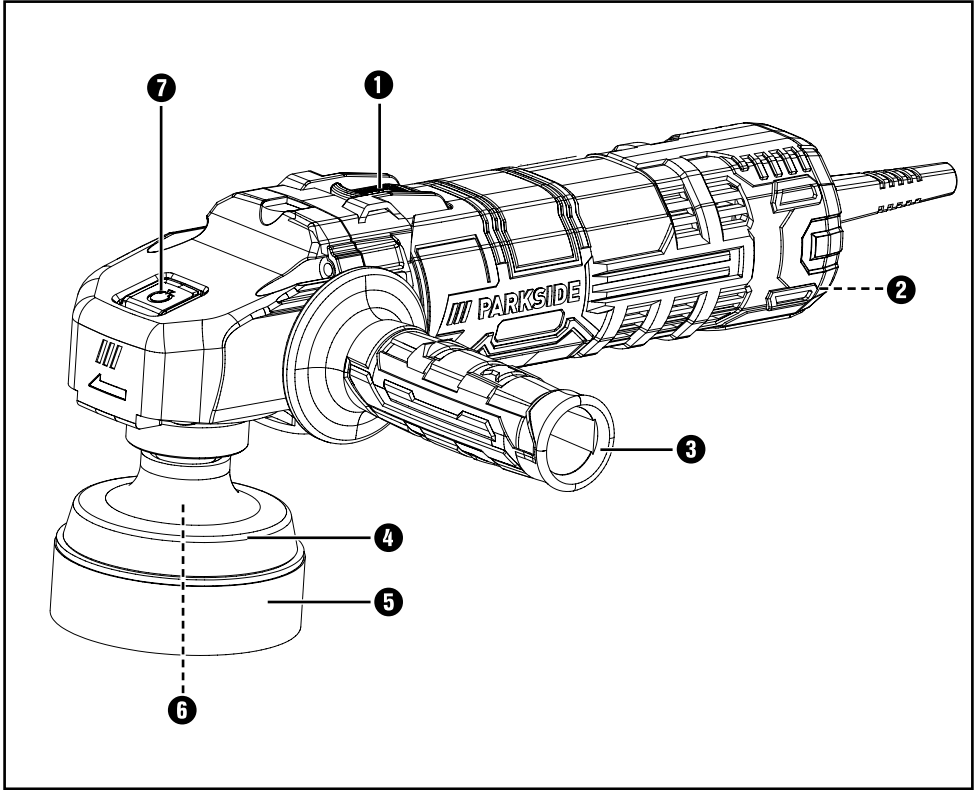


GB IE NI

Before reading, unfold the page containing the illustrations and familiarise yourself with all functions of the device.

DE AT CH

Klappen Sie vor dem Lesen die Seite mit den Abbildungen aus und machen Sie sich anschließend mit allen Funktionen des Gerätes vertraut.



Contents

Introduction	2
Intended use	2
Features	2
Package contents	2
Technical specifications	2
General power tool safety warnings	3
1. Work area safety	3
2. Electrical safety	3
3. Personal safety	4
4. Power tool use and care	4
5. Service	5
Appliance-specific safety instructions for polishers	5
Original accessories/attachments	7
Before use	7
Fitting the additional handle	7
Attaching/removing the polishing disc	7
Attaching/removing the polishing pad	7
Using the appliance	8
Switching on and off	8
Polishing	8
Operating instructions	8
Maintenance and cleaning	8
Disposal	9
Kompennass Handels GmbH warranty	9
Service	11
Importer	11
Translation of the original declaration of conformity	12

CAR POLISHER SPOT REPAIR PPM 800 A1

Introduction

Congratulations on the purchase of your new appliance. You have selected a high-quality product. The operating instructions are part of this product. They contain important information about safety, usage and disposal. Before using the product, please familiarise yourself with all instructions regarding safety and use. Use the product only as described and for the specified range of applications. Please also pass on all documents to any future owner.

Intended use

The appliance is suitable for polishing paintwork, coatings, plastics and other smooth surfaces. Any other usage or modification of the appliance is deemed to be improper and carries a significant risk of accidents. The manufacturer accepts no responsibility for damage(s) resulting from improper usage. This appliance is intended for domestic use only.


Features

- 1 ON/OFF switch
- 2 Speed control
- 3 Additional handle
- 4 Polishing disc
- 5 Polishing pad
- 6 Thread
- 7 Spindle lock

Package contents

- 1 car polisher spot repair
- 1 polishing disc \varnothing 75 mm
- 1 foam polishing pad \varnothing 80 x 25 mm
- 1 additional handle
- 1 set of operating instructions

Technical specifications

Rated voltage	230V~, 50 Hz (AC)
Rated power	800 W
Rated idle speed	n_0 1300 - 3900 rpm
Thread	M14
Protection class	II /  (double insulation)

Noise and vibration data

Noise measurement value determined in accordance with EN 62841. The A-rated noise level of the tool is typically

Sound pressure level	87 dB
Sound power level	95 dB
Uncertainty K	3 dB

Wear ear muffs!

Rated acceleration, typically:

Hand/arm vibration	$a_h = < 2.5 \text{ m/s}^2$
Uncertainty	$K = 1.5 \text{ m/s}^2$



Wear safety goggles!



Always operate the power tool with both hands.

NOTE

- ▶ For an accurate estimate of the vibration load during a specific working period, the periods during which the appliance is switched off or is running but not actually being used must also be taken into consideration. This can significantly reduce the vibration load over the total working period.
- ▶ The vibration emission values and the noise emission values given in these instructions have been measured in accordance with a standardised test procedure and can be used for comparison of the power tool with another tool.

NOTE

- ▶ The specified total vibration values and the noise emission values can also be used to make a provisional load estimate.

⚠ WARNING!

- ▶ Depending on the manner in which the power tool is being used, and in particular the kind of workpiece being worked, the vibration and noise emission values can deviate from the values given in these instructions during actual use of the power tool. Try to keep the vibration loads as low as possible. Measures to reduce the vibration load are, e.g. wearing gloves and limiting the working time. Wherein all states of operation must be included (e.g. times when the power tool is switched off and times where the power tool is switched on but running without load).



General power tool safety warnings



⚠ WARNING!

- ▶ Read all safety warnings, instructions, illustrations and specifications provided with this power tool. Failure to follow all instructions listed below may result in electric shock, fire and/or serious injury.

Save all warnings and instructions for future reference.

The term "power tool" in the warnings refers to your mains-operated (corded) power tool or battery-operated (cordless) power tool.

1. Work area safety

- Keep work area clean and well lit. Cluttered or dark areas invite accidents.
- Do not operate power tools in explosive atmospheres, such as in the presence of flammable liquids, gases or dust. Power tools create sparks which may ignite the dust or fumes.
- Keep children and bystanders away while operating a power tool. Distractions can cause you to lose control.

2. Electrical safety

- Power tool plugs must match the outlet. Never modify the plug in any way. Do not use any adapter plugs with earthed (grounded) power tools. Unmodified plugs and matching outlets will reduce risk of electric shock.
- Avoid body contact with earthed or grounded surfaces, such as pipes, radiators, ranges and refrigerators. There is an increased risk of electric shock if your body is earthed or grounded.
- Do not expose power tools to rain or wet conditions. Water entering a power tool will increase the risk of electric shock.
- Do not abuse the cord. Never use the cord for carrying, pulling or unplugging the power tool. Keep cord away from heat, oil, sharp edges or moving parts. Damaged or entangled cords increase the risk of electric shock.
- When operating a power tool outdoors, use an extension cord suitable for outdoor use. Use of a cord suitable for outdoor use reduces the risk of electric shock.
- If operating a power tool in a damp location is unavoidable, use a power supply protected by a residual current device (RCD). Use of an RCD reduces the risk of electric shock.

3. Personal safety

- a) Stay alert, watch what you are doing and use common sense when operating a power tool. Do not use a power tool while you are tired or under the influence of drugs, alcohol or medication. A moment of inattention while operating a power tool may result in serious personal injury.
- b) Use personal protective equipment. Always wear safety goggles. Protective equipment such as a dust mask, non-skid safety shoes, hard hat or hearing protection used for appropriate conditions will reduce personal injuries.
- c) Prevent unintentional starting. Ensure the switch is in the off-position before connecting to power source and/or battery pack, picking up or carrying the tool. Carrying power tools with your finger on the switch or energising power tools that have the switch on invites accidents.
- d) Remove any adjusting key or wrench before turning the power tool on. A wrench or a key left attached to a rotating part of the power tool may result in personal injury.
- e) Do not overreach. Keep proper footing and balance at all times. This enables better control of the power tool in unexpected situations.
- f) Dress properly. Do not wear loose clothing or jewellery. Keep your hair and clothing away from moving parts. Loose clothes, jewellery or long hair can be caught in moving parts.
- g) If devices are provided for the connection of dust extraction and collection facilities, ensure these are connected and properly used. Use of dust collection can reduce dust-related hazards.
- h) Do not allow yourself to get lulled into a false sense of security and do not ignore the safety regulations for power tools, even if you are familiar with the power tool after repeated use. A careless action can cause severe injury within a fraction of a second.

4. Power tool use and care

- a) Do not force the power tool. Use the correct power tool for your application. The correct power tool will do the job better and safer at the rate for which it was designed.
- b) Do not use the power tool if the switch does not turn it on and off. Any power tool that cannot be controlled with the switch is dangerous and must be repaired.
- c) Disconnect the plug from the power source and/or remove the battery pack, if detachable, from the power tool before making any adjustments, changing accessories, or storing power tools. Such preventive safety measures reduce the risk of starting the power tool accidentally.
- d) Store idle power tools out of the reach of children, and do not allow persons unfamiliar with the power tool or these instructions to operate the power tool. Power tools are dangerous in the hands of untrained users.
- e) Maintain power tools and accessories. Check for misalignment or binding of moving parts, breakage of parts and any other condition that may affect the power tool's operation. If damaged, have the power tool repaired before use. Many accidents are caused by poorly maintained power tools.
- f) Keep cutting tools sharp and clean. Properly maintained cutting tools with sharp cutting edges are less likely to bind and are easier to control.
- g) Use the power tool, accessories and tool bits, etc. in accordance with these instructions, taking into account the working conditions and the work to be performed. Use of the power tool for operations different from those intended could result in a hazardous situation.
- h) Keep handles and grasping surfaces dry, clean and free from oil and grease. Slippery handles and grasping surfaces do not allow for safe handling and control of the tool in unexpected situations.

5. Service

- a) Have your power tool serviced by a qualified repair person using only identical replacement parts. This will ensure that the safety of the power tool is maintained.

Appliance-specific safety instructions for polishers

Collective safety instructions for polishing

- a) This power tool is designed to be used as a polisher. Please follow all safety instructions, instructions, diagrams and data that you receive with the power tool. Failure to follow the instructions below may result in electric shock, fire, and/or serious injury.
- b) This power tool is not suitable for grinding, sandpaper sanding, working with steel brushes, cutting holes or abrasive cutting. Using the power tool for applications for which it is not designed can lead to hazards and injuries.
- c) Do not use the power tool for any function for which it is not expressly designed and intended by its manufacturer. Such a conversion can result in loss of control and serious bodily injury.
- d) Do not use accessories that are not specifically designed and specified by the manufacturer for this power tool. Just because you can attach the accessories to your power tool, does not ensure they are safe to use.
- e) The maximum permissible speed of the accessory tool being used must be at least as high as the maximum speed specified for the power tool. Accessories that rotate faster than the maximum permissible rate can break and throw pieces into the air.
- f) The external diameter and thickness of the accessory tool being used must comply with the dimensions of your power tool. Incorrectly dimensioned accessory tools cannot be sufficiently shielded or controlled.
- g) The dimensions for fastening the accessory tool must match the dimensions of the fasteners for the power tool. Accessory tools that cannot be fitted precisely onto the power tool will rotate unevenly, vibrate severely and can lead to a loss of control.
- h) Never use damaged accessory tools. Before each use, check accessory tools such as grinding discs for chips or cracks, grinding plates for cracks, scuffs or excessive wear and tear and wire brushes for loose or broken wires. If the power tool or the accessory tool in use is dropped, check to see if it is damaged or use an undamaged accessory tool. Once you have checked and inserted the accessory tool, ensure that you and any other people in the vicinity remain outside of the level of the rotating accessory tool and allow the power tool to rotate at maximum speed for one minute. Damaged accessory tools usually break during this test period.
- i) Wear personal protective equipment. Depending on the application, ensure that you use full face protection, eye protection or safety goggles. If required, use a dust mask, ear protectors, protective gloves or a special apron to protect you from grindings and material particles. Protect your eyes from flying debris that may be created during certain applications. Dust or filter masks must be used to filter any dust produced by the application. Long-term exposure to loud noise can cause hearing loss.
- j) Ensure that any bystanders are at a safe distance from your work area. Anyone who enters the workspace must wear personal protective equipment. Fragments of the workpiece or broken accessory tools can fly off and cause injury – even outside the immediate working area.
- k) Keep the power cable away from any rotating accessories. If you lose control of the appliance, the cord may get cut or caught and your hand or arm could get caught in the rotating accessory tool.
- l) Never put the power tool down until the accessory tool has come to a complete standstill. The rotating accessory tool could come into contact with the surface and cause you to lose control of the power tool.

- m) **Do not leave the power tool running whilst carrying it.** Accidental contact between your clothing and the rotating accessory tool could cause your clothing to get caught and the accessory tool to penetrate a part of your body.
 - n) **Clean the ventilation slits of your power tool regularly.** The motor fan draws dust into the housing and the accumulation of a large amount of metal dust can cause electrical hazards.
 - o) **Do not use the power tool in the vicinity of flammable materials.** Sparks can ignite such materials.
 - p) **Do not use any accessory tools that require a liquid coolant.** The use of water or other liquid coolants may lead to an electric shock.
- b) **Keep your hands clear of a rotating accessory tool at all times.** The accessory tool could jump out of your hand if there is a kickback.
 - c) **Avoid having any part of your body in the area in which the power tool is likely to move in the event of a kickback.** The kickback will force the power tool in the opposite direction to the direction of rotation of the grinding disc at the blockage.
 - d) **Take special care when working near corners, sharp edges, etc. Do not allow the accessory tool to bounce back from the workpiece or to jam.** The rotating accessory tool is more likely to jam in corners or sharp edges or if it bounces. This can cause a loss of control or kickback.
 - e) **Do not use chains or toothed saw blades.** Such accessories often cause a kickback or loss of control over the power tool.

Kickback and corresponding safety instructions

Kickback is a sudden reaction caused when a rotating accessory tool, e.g. grinding disc, grinding plate, wire brush, etc., catches or blocks. Catching or blocking leads to an abrupt stop of the rotating accessory tool. If this happens, an uncontrolled power tool turns rapidly against the direction of rotation of the accessory tool caught in the blockage.

If, for example, a grinding disc catches or jams, the edge of the grinding disc that is projecting into the workpiece can get caught and break off the grinding disc or cause a kickback. The grinding disc may then jerk violently towards or away from the operator, depending on the rotation direction of the disc at the blockage. This can also cause the grinding discs to break.

Kickbacks are caused by improper or incorrect use of the power tool. This can be avoided by taking proper precautions as described below.

- a) **Hold the power tool firmly in both hands and position your body and arms so they can absorb the force of the kickback. Always use the additional handle, if available, so that you have the maximum possible control over the kickback force or reaction forces at full speed.** By taking adequate precautions, the operator can stay in control of the kickback and reaction forces.

Special safety instructions for polishing

- a) **Do not leave any loose parts hanging from the polishing hood, especially the tightening cords. Tuck away or shorten the fastening cords.** Loose, spinning fastening cords can hit your fingers or get caught in the workpiece.

Further safety instructions

- Secure the workpiece. A workpiece securely held by a clamping device or vice is much safer than one held in your hand.
- Do not rest your hands next to or in front of the appliance and the area being worked as there is a risk of injury if you slip.
- Ensure sufficient ventilation when working on plastics, paints, lacquers, etc.
- Do not soak the materials or the area to be processed with liquids containing solvents.
- Never work on moistened materials or damp surfaces.
- Never use the appliance for purposes other than those for which it was designed, and only use original parts/accessories. Using attachments or accessory tools other than those recommended in the operating instructions can lead to a risk of injury.
- The appliance must always be kept clean, dry and free from oil or grease.
- **The thread of the accessories must match the thread of the grinding spindle. For accessories mounted by means of a flange, the bore of the accessory must match the diameter of the flange.** Accessories that do not fit on the appliance will run unevenly, vibrate too much and this may result in loss of control of the unit.

Original accessories/attachments

- Use only the additional equipment and accessories specified in the operating instructions. Using attachments or accessory tools other than those recommended in the operating instructions can lead to a risk of injury.

Before use

Fitting the additional handle

CAUTION!

- ▶ For safety reasons, this appliance may only be used with the additional handle **3** fitted. Failure to do so can lead to serious injury. The additional handle **3** can be screwed onto the left, right or top of the appliance, depending on the job at hand.

Attaching/removing the polishing disc

- ◆ Press the spindle lock **7** and hold it down.
- ◆ Screw the polishing disc **4** clockwise onto the screw thread **6**.
- ◆ Proceed in the reverse order to remove the polishing disc **4**.

Attaching/removing the polishing pad

WARNING!

- ▶ Always disconnect the appliance from the mains before attaching or removing the polishing pad **5**.
- ◆ The polishing disc **4** and the supplied polishing pad **5** are fitted with corresponding hook-and-loop fasteners.
- ◆ Fasten the supplied polishing pad **5** accurately fitted to the polishing disc **4** using the hook-and-loop fastener.
- ◆ To change the polishing pad **5**, pry up one side and pull it off the polishing disc **4**.

Using the appliance

Switching on and off

Switching on

- ◆ To switch the appliance on, push the ON/OFF switch **1** forwards.

Switching off

- ◆ To switch off the appliance, push the ON/OFF switch **1** backwards.

Speed preselection

- ◆ Select the required speed with the speed control **2**.
 - Level 1: ca. 1300 rpm
 - Level 2: ca. 1670 rpm
 - Level 3: ca. 2280 rpm
 - Level 4: ca. 2890 rpm
 - Level 5: ca. 3400 rpm
 - Level 6: ca. 3880 rpm

Polishing

- ◆ Apply some polish to the attached polishing pad **5** and the workpiece.
- ◆ Manually spread the polish over the surface you want to polish.

NOTE

- ▶ Do not apply the polish to the same surface too often, as the particles it contains could damage the finish.
- ▶ Mask any plastic components beforehand as these could be faded by the polish.

- ◆ Guide the appliance across the workpiece parallel to its surface.
- ◆ Switch the appliance on.
- ◆ Move the appliance parallel and evenly over the surface being polished.
- ◆ Do not press the appliance down. Pressing down hard does not improve the performance!
- ◆ When you are satisfied with the result, turn off the appliance.

ATTENTION!

- ▶ Depending on the size and nature of the workpiece, suitable safety precautions must be taken. Use suitable clamps to prevent the workpiece from slipping.

Operating instructions

- Apply minimal pressure when working.
- Work at a constant speed.
- Carry out the polishing process parallel to the surface and overlap the polishing strokes.

Maintenance and cleaning

WARNING!

- ▶ Before working on the appliance, always disconnect it from the mains.

The appliance is maintenance-free.

- Always clean the appliance directly after finishing work.
- Use a dry cloth to clean the housing.
- Never use sharp objects, petrol, solvents or cleaning agents which can damage plastic. Do not allow any liquids to get into the interior of the appliance.
- If the connecting cable needs to be replaced, this must be carried out by the manufacturer or an authorised representative in order to avoid safety hazards.

Disposal



Do not dispose of power tools in your normal domestic waste!

The adjacent symbol of a crossed-out dustbin means that this appliance is subject to Directive 2012/19/EU. This directive states that this appliance may not be disposed of in the normal household waste at the end of its useful life, but must be taken to specially set-up collection locations, recycling depots or disposal companies.

The disposal is free of charge for the user.

Protect the environment and dispose of this appliance properly.

If your old appliance has stored any personal data, you are responsible for deleting it yourself before returning it.



Your local community or municipal authorities can provide information on how to dispose of the worn-out product.



The packaging is made from environmentally friendly material and can be disposed of at your local recycling plant.



Dispose of the packaging in an environmentally friendly manner.

Note the labelling on the packaging and separate the packaging material components for disposal if necessary. The packaging material is labelled with abbreviations (a) and numbers (b) with the following meanings:

1–7: plastics, 20–22: paper and cardboard, 80–98: composites.

Kompernass Handels GmbH warranty

Dear Customer,

This appliance has a 3-year warranty valid from the date of purchase. If included with the product on delivery, the battery packs of the X12V and X20V Team series also come with a 3-year warranty from the date of purchase. If this product has any faults, you, the buyer, have certain statutory rights. Your statutory rights are not restricted in any way by the warranty described below.

Warranty conditions

The warranty period starts on the date of purchase. Please keep your receipt in a safe place. This will be required as proof of purchase.

If any material or manufacturing fault occurs within three years of the date of purchase of the product, we will either repair or replace the product for you or refund the purchase price (at our discretion).

This warranty service requires that you present the defective appliance and the proof of purchase (receipt) within the three-year warranty period, along with a brief written description of the fault and of when it occurred.

If the defect is covered by the warranty, your product will either be repaired or replaced by us. The repair or replacement of a product does not signify the beginning of a new warranty period.

Warranty period and statutory claims for defects

The warranty period is not prolonged by repairs effected under the warranty. This also applies to replaced and repaired components. Any damage and defects present at the time of purchase must be reported immediately after unpacking. Repairs carried out after expiry of the warranty period shall be subject to a fee.

Scope of the warranty

This appliance has been manufactured in accordance with strict quality guidelines and inspected meticulously prior to delivery.

The warranty covers material faults or production faults. The warranty does not cover product parts that are subject to normal wear and tear and can therefore be considered wearing parts, such as saw blades, replacement blades, abrasive papers, etc. or for damage to fragile parts, such as switches or parts made of glass.

The warranty does not apply if the product has been damaged, improperly used or improperly maintained. The directions in the operating instructions for the product regarding proper use of the product are to be strictly followed. Uses and actions that are discouraged in the operating instructions or which are warned against must be avoided.

This product is intended solely for private use and not for commercial purposes. The warranty shall be deemed void in cases of misuse or improper handling, use of force and modifications/repairs which have not been carried out by one of our authorised Service centres.

The warranty does not apply to

- Normal reduction of the battery capacity over time
- Commercial use of the product
- Damage to or alteration of the product by the customer
- Non-compliance with safety and maintenance instructions, operating errors
- Damage caused by natural hazards

Warranty claim procedure

To ensure quick processing of your case, please observe the following instructions:

- Please have the till receipt and the item number (IAN) 449752_2310 available as proof of purchase.
- You will find the item number on the type plate on the product, an engraving on the product, on the front page of the operating instructions (below left) or on the sticker on the rear or bottom of the product.
- If functional or other defects occur, please contact the service department listed either by **telephone** or by **e-mail**.
- You can return a defective product to us free of charge to the service address that will be provided to you. Ensure that you enclose the proof of purchase (till receipt) and information about what the defect is and when it occurred.



You can download these instructions along with many other manuals, product videos and installation software at www.lidl-service.com.

This QR code will take you directly to the Lidl service page (www.lidl-service.com) where you can open your operating instructions by entering the item number (IAN) 449752_2310.

Service

GB **Service Great Britain**
Tel.: 0800 404 7657
E-Mail: kompernass@lidl.co.uk

IE **Service Ireland**
Tel.: 1800 101010
E-Mail: kompernass@lidl.ie

CY **Service Cyprus**
Tel.: 8009 4241
E-Mail: kompernass@lidl.com.cy

IAN 449752_2310

Importer

Please note that the following address is not the service address. Please use the service address provided in the operating instructions.

For EU market



KOMPERNASS HANDELS GMBH
BURGSTRASSE 21
44867 BOCHUM
GERMANY
www.kompernass.com

For GB market

Lidl Great Britain Ltd
Lidl House 14 Kingston Road
Surbiton
KT5 9NU

Translation of the original declaration of conformity

We, KOMPERNASS HANDELS GMBH, document officer: Mr Semi Uguzlu, BURGSTR. 21, 44867 BOCHUM, GERMANY, hereby declare that this product complies with the following standards, normative documents and EC directives:

Machinery Directive

(2006/42/EC)

Electromagnetic Compatibility

(2014/30/EU)

RoHS Directive

(2011/65/EU)*

* The manufacturer bears the sole responsibility for compliance with this conformity declaration. The subject of the declaration described above meets the requirements of Directive 2011/65/EU of the European Parliament and Council of 8 June 2011 on the limitations of use of certain dangerous substances in electrical and electronic appliances.

Applied harmonised standards

EN 62841-1:2015/A11:2022

EN IEC 62841-2-3:2021/A11:2021

EN IEC 55014-1:2021

EN IEC 55014-2:2021

EN IEC 61000-3-2:2019/A1:2021

EN 61000-3-3:2013/A2:2021

EN IEC 63000:2018

Type/appliance designation: car polisher spot repair PPM 800 A1

Year of manufacture: 02–2024

Serial number: IAN 449752_2310

Bochum, 11/01/2024



Semi Uguzlu

- Quality Manager -

We reserve the right to make technical changes in the context of further product development.



This mark confirms that the product complies with the product safety requirements applicable in the UK.

Inhaltsverzeichnis

Einleitung	14
Bestimmungsgemäßer Gebrauch.....	14
Ausstattung.....	14
Lieferumfang.....	14
Technische Daten.....	14
Allgemeine Sicherheitshinweise für Elektrowerkzeuge	15
1. Arbeitsplatzsicherheit.....	15
2. Elektrische Sicherheit.....	15
3. Sicherheit von Personen.....	16
4. Verwendung und Behandlung des Elektrowerkzeugs.....	16
5. Service.....	17
Gerätespezifische Sicherheitshinweise für Polierer.....	17
Originalzubehör/-zusatzgeräte.....	19
Vor der Inbetriebnahme	20
Zusatz-Handgriff montieren.....	20
Montage/Demontage des Poliertellers.....	20
Montage/Demontage des Polierpads.....	20
Inbetriebnahme	20
Ein- und ausschalten.....	20
Polieren.....	20
Arbeitshinweise.....	21
Wartung und Reinigung	21
Entsorgung	21
Garantie der Kompernaß Handels GmbH	22
Service	23
Importeur	23
Original-Konformitätserklärung	24

POLIERMASCHINE SPOT-REPAIR PPM 800 A1

Einleitung

Wir beglückwünschen Sie zum Kauf Ihres neuen Gerätes. Sie haben sich damit für ein hochwertiges Produkt entschieden. Die Bedienungsanleitung ist Teil dieses Produkts. Sie enthält wichtige Hinweise für Sicherheit, Gebrauch und Entsorgung. Machen Sie sich vor der Benutzung des Produkts mit allen Bedien- und Sicherheitshinweisen vertraut. Benutzen Sie das Produkt nur wie beschrieben und für die angegebenen Einsatzbereiche. Händigen Sie alle Unterlagen bei Weitergabe des Produkts an Dritte mit aus.

Bestimmungsgemäßer Gebrauch

Das Gerät ist zum Polieren von Lacken, Beschichtungen, Kunststoffen und anderen glatten Oberflächen geeignet. Jede andere Verwendung oder Veränderung des Gerätes gilt als nicht bestimmungsgemäß und birgt erhebliche Unfallgefahren. Für aus bestimmungswidriger Verwendung entstandene Schäden übernehmen wir keine Haftung. Das Gerät ist nur für den privaten Einsatz bestimmt.

Ausstattung

- 1 EIN-/AUS-Schalter
- 2 Drehzahlregler
- 3 Zusatz-Handgriff
- 4 Polierteller
- 5 Polierpad
- 6 Gewinde
- 7 Spindelarreterierung

Lieferumfang

- 1 Poliermaschine Spot-Repair
- 1 Polierteller Ø 75 mm
- 1 Schaumpolierpad Ø 80 x 25 mm
- 1 Zusatzhandgriff
- 1 Bedienungsanleitung

Technische Daten

Bemessungsspannung	230 V ~, 50 Hz (Wechselstrom)
Nennleistung	800 W
Bemessungs- Leerlaufdrehzahl	n_0 1300 - 3900 min ⁻¹
Gewinde	M14
Schutzklasse	II/□ (Doppelisolierung)

Geräusch- und Vibrationsinformationen

Messwert für Geräusch ermittelt entsprechend EN 62841. Der A-bewertete Geräuschpegel des Elektrowerkzeugs beträgt typischerweise

Schalldruckpegel	87 dB
Schallleistungspegel	95 dB
Unsicherheit K	3 dB

Gehörschutz tragen!

Bewertete Beschleunigung, typischerweise

Hand-/Armvibration	$a_h = <2,5 \text{ m/s}^2$
Unsicherheit	$K = 1,5 \text{ m/s}^2$



Schutzbrille tragen!



Verwenden Sie das Elektrowerkzeug immer mit beiden Händen.

HINWEIS

- Für eine genaue Abschätzung der Schwingungsbelastung während eines bestimmten Arbeitszeitraumes sollten auch die Zeiten berücksichtigt werden, in denen das Gerät abgeschaltet ist oder zwar läuft, aber nicht tatsächlich im Einsatz ist. Dies kann die Schwingungsbelastung über den gesamten Arbeitszeitraum deutlich reduzieren.
- Die angegebenen Schwingungsgesamtwerte und die angegebenen Geräuschemissionswerte sind nach einem genormten Prüfverfahren gemessen worden und können zum Vergleich eines Elektrowerkzeugs mit einem anderen verwendet werden.

HINWEIS

- ▶ Die angegebenen Schwingungsgesamtwerte und die angegebenen Geräuschemissionswerte können auch zu einer vorläufigen Einschätzung der Belastung verwendet werden.

⚠️ WARNUNG!

- ▶ Die Schwingungs- und Geräuschemissionen können während der tatsächlichen Benutzung des Elektrowerkzeugs von den Angabewerten abweichen, abhängig von der Art und Weise, in der das Elektrowerkzeug verwendet wird, insbesondere, welche Art von Werkstück bearbeitet wird. Versuchen Sie, die Belastung durch Vibrationen so gering wie möglich zu halten. Beispielhafte Maßnahmen zur Verringerung der Vibrationsbelastung sind das Tragen von Handschuhen beim Gebrauch des Werkzeugs und die Begrenzung der Arbeitszeit. Dabei sind alle Anteile des Betriebszyklus zu berücksichtigen (beispielsweise Zeiten, in denen das Elektrowerkzeug abgeschaltet ist, und solche, in denen es zwar eingeschaltet ist, aber ohne Belastung läuft).



Allgemeine Sicherheitshinweise für Elektrowerkzeuge



⚠️ WARNUNG!

- ▶ Lesen Sie alle Sicherheitshinweise, Anweisungen, Bilderungen und technischen Daten, mit denen dieses Elektrowerkzeug versehen ist. Versäumnisse bei der Einhaltung der nachfolgenden Anweisungen können elektrischen Schlag, Brand und/oder schwere Verletzungen verursachen.

Bewahren Sie alle Sicherheitshinweise und Anweisungen für die Zukunft auf.

Der in den Sicherheitshinweisen verwendete Begriff „Elektrowerkzeug“ bezieht sich auf netzbetriebene Elektrowerkzeuge (mit Netzleitung) und auf akkubetriebene Elektrowerkzeuge (ohne Netzleitung).

1. Arbeitsplatzsicherheit

- Halten Sie Ihren Arbeitsbereich sauber und gut beleuchtet. Unordnung und unbeleuchtete Arbeitsbereiche können zu Unfällen führen.
- Arbeiten Sie mit dem Elektrowerkzeug nicht in explosionsgefährdeter Umgebung, in der sich brennbare Flüssigkeiten, Gase oder Stäube befinden. Elektrowerkzeuge erzeugen Funken, die den Staub oder die Dämpfe entzünden können.
- Halten Sie Kinder und andere Personen während der Benutzung des Elektrowerkzeugs fern. Bei Ablenkung können Sie die Kontrolle über das Elektrowerkzeug verlieren.

2. Elektrische Sicherheit

- Der Anschlussstecker des Elektrowerkzeugs muss in die Steckdose passen. Der Stecker darf in keiner Weise verändert werden. Verwenden Sie keine Adapterstecker gemeinsam mit schutzgeerdeten Elektrowerkzeugen. Unveränderte Stecker und passende Steckdosen verringern das Risiko eines elektrischen Schlages.
- Vermeiden Sie Körperkontakt mit geerdeten Oberflächen wie von Rohren, Heizungen, Herden und Kühlschränken. Es besteht ein erhöhtes Risiko durch elektrischen Schlag, wenn Ihr Körper geerdet ist.
- Halten Sie Elektrowerkzeuge von Regen oder Nässe fern. Das Eindringen von Wasser in ein Elektrowerkzeug erhöht das Risiko eines elektrischen Schlages.
- Zweckenfremden Sie die Anschlussleitung nicht, um das Elektrowerkzeug zu tragen, aufzuhängen oder um den Stecker aus der Steckdose zu ziehen. Halten Sie die Anschlussleitung fern von Hitze, Öl, scharfen Kanten oder sich bewegendem Teilen. Beschädigte oder verwickelte Anschlussleitungen erhöhen das Risiko eines elektrischen Schlages.

- e) Wenn Sie mit einem Elektrowerkzeug im Freien arbeiten, verwenden Sie nur Verlängerungsleitungen, die auch für den Außenbereich zugelassen sind. Die Anwendung einer für den Außenbereich geeigneten Verlängerungsleitung verringert das Risiko eines elektrischen Schlages.
- f) Wenn der Betrieb des Elektrowerkzeugs in feuchter Umgebung nicht vermeidbar ist, verwenden Sie einen Fehlerstromschutzschalter. Der Einsatz eines Fehlerstromschutzschalters vermindert das Risiko eines elektrischen Schlages.
- f) Tragen Sie geeignete Kleidung. Tragen Sie keine weite Kleidung oder Schmuck. Halten Sie Haare und Kleidung fern von sich bewegenden Teilen. Lockere Kleidung, Schmuck oder lange Haare können von sich bewegenden Teilen erfasst werden.
- g) Wenn Staubabsaug- und -auffangeinrichtungen montiert werden können, sind diese anzuschließen und richtig zu verwenden. Die Verwendung einer Staubabsaugung kann Gefährdungen durch Staub verringern.

3. Sicherheit von Personen

- a) Seien Sie aufmerksam, achten Sie darauf, was Sie tun, und gehen Sie mit Vernunft an die Arbeit mit einem Elektrowerkzeug. Benutzen Sie kein Elektrowerkzeug, wenn Sie müde sind oder unter dem Einfluss von Drogen, Alkohol oder Medikamenten stehen. Ein Moment der Unachtsamkeit beim Gebrauch des Elektrowerkzeugs kann zu ernsthaften Verletzungen führen.
- b) Tragen Sie persönliche Schutzausrüstung und immer eine Schutzbrille. Das Tragen persönlicher Schutzausrüstung, wie Staubmaske, rutschfeste Sicherheitsschuhe, Schutzhelm oder Gehörschutz, je nach Art und Einsatz des Elektrowerkzeugs, verringert das Risiko von Verletzungen.
- c) Vermeiden Sie eine unbeabsichtigte Inbetriebnahme. Vergewissern Sie sich, dass das Elektrowerkzeug ausgeschaltet ist, bevor Sie es an die Stromversorgung und/oder den Akku anschließen, es aufnehmen oder tragen. Wenn Sie beim Tragen des Elektrowerkzeugs den Finger am Schalter haben oder das Elektrowerkzeug eingeschaltet an die Stromversorgung anschließen, kann dies zu Unfällen führen.
- d) Entfernen Sie Einstellwerkzeuge oder Schraubenschlüssel, bevor Sie das Elektrowerkzeug einschalten. Ein Werkzeug oder Schlüssel, der sich in einem drehenden Teil des Elektrowerkzeugs befindet, kann zu Verletzungen führen.
- e) Vermeiden Sie eine abnormale Körperhaltung. Sorgen Sie für einen sicheren Stand und halten Sie jederzeit das Gleichgewicht. Dadurch können Sie das Elektrowerkzeug in unerwarteten Situationen besser kontrollieren.

- h) Wiegen Sie sich nicht in falscher Sicherheit und setzen Sie sich nicht über die Sicherheitsregeln für Elektrowerkzeuge hinweg, auch wenn Sie nach vielfachem Gebrauch mit dem Elektrowerkzeug vertraut sind. Achtloses Handeln kann binnen Sekundenbruchteilen zu schweren Verletzungen führen.

4. Verwendung und Behandlung des Elektrowerkzeugs

- a) Überlasten Sie das Elektrowerkzeug nicht. Verwenden Sie für Ihre Arbeit das dafür bestimmte Elektrowerkzeug. Mit dem passenden Elektrowerkzeug arbeiten Sie besser und sicherer im angegebenen Leistungsbereich.
- b) Benutzen Sie kein Elektrowerkzeug, dessen Schalter defekt ist. Ein Elektrowerkzeug, das sich nicht mehr ein- oder ausschalten lässt, ist gefährlich und muss repariert werden.
- c) Ziehen Sie den Stecker aus der Steckdose und/oder entfernen Sie den abnehmbaren Akku, bevor Sie Geräteeinstellungen vornehmen, Einsatzwerkzeugteile wechseln oder das Elektrowerkzeug weglegen. Diese Vorsichtsmaßnahme verhindert den unbeabsichtigten Start des Elektrowerkzeugs.
- d) Bewahren Sie unbenutzte Elektrowerkzeuge außerhalb der Reichweite von Kindern auf. Lassen Sie keine Personen das Elektrowerkzeug benutzen, die mit diesem nicht vertraut sind oder diese Anweisungen nicht gelesen haben. Elektrowerkzeuge sind gefährlich, wenn sie von unerfahrenen Personen benutzt werden.

- e) Pflegen Sie Elektrowerkzeuge und Einsatzwerkzeug mit Sorgfalt. Kontrollieren Sie, ob bewegliche Teile einwandfrei funktionieren und nicht klemmen, ob Teile gebrochen oder so beschädigt sind, dass die Funktion des Elektrowerkzeugs beeinträchtigt ist. Lassen Sie beschädigte Teile vor dem Einsatz des Elektrowerkzeuges reparieren. Viele Unfälle haben ihre Ursache in schlecht gewarteten Elektrowerkzeugen.
- f) Halten Sie Schneidwerkzeuge scharf und sauber. Sorgfältig gepflegte Schneidwerkzeuge mit scharfen Schneidkanten verklemmen sich weniger und sind leichter zu führen.
- g) Verwenden Sie Elektrowerkzeug, Einsatzwerkzeug, Einsatzwerkzeuge usw. entsprechend diesen Anweisungen. Berücksichtigen Sie dabei die Arbeitsbedingungen und die auszuführende Tätigkeit. Der Gebrauch von Elektrowerkzeugen für andere als die vorgesehenen Anwendungen kann zu gefährlichen Situationen führen.
- h) Halten Sie Griffe und Griffflächen trocken, sauber und frei von Öl und Fett. Rutschige Griffe und Griffflächen erlauben keine sichere Bedienung und Kontrolle des Elektrowerkzeugs in unvorhergesehenen Situationen.

5. Service

- a) Lassen Sie Ihr Elektrowerkzeug nur von qualifiziertem Fachpersonal und nur mit Original-Ersatzteilen reparieren. Damit wird sichergestellt, dass die Sicherheit des Elektrowerkzeugs erhalten bleibt.

Gerätespezifische Sicherheitshinweise für Polierer

Gemeinsame Sicherheitshinweise zum Polieren

- a) Dieses Elektrowerkzeug ist zu verwenden als Polierer. Beachten Sie alle Sicherheitshinweise, Anweisungen, Darstellungen und Daten, die Sie mit dem Elektrowerkzeug erhalten. Wenn Sie die folgenden Anweisungen nicht beachten, kann es zu elektrischem Schlag, Feuer und/oder schweren Verletzungen kommen.
- b) Dieses Elektrowerkzeug ist nicht geeignet zum Schleifen, Sandpapierschleifen, Arbeiten mit Drahtbürsten, Lochschneiden und Trennschleifen. Verwendungen, für die das Elektrowerkzeug nicht vorgesehen ist, können Gefährdungen und Verletzungen verursachen.
- c) Verwenden Sie das Elektrowerkzeug nicht für eine Funktion, für die es nicht ausdrücklich konstruiert und von seinem Hersteller vorgesehen ist. Solch ein Umbau kann zu einem Verlust der Kontrolle und ernsthaften Körperverletzungen führen.
- d) Verwenden Sie kein Einsatzwerkzeug, das vom Hersteller nicht speziell für dieses Elektrowerkzeug vorgesehen und festgelegt wurde. Nur weil Sie das Zubehör an Ihrem Elektrowerkzeug befestigen können, garantiert das keine sichere Verwendung.
- e) Die zulässige Drehzahl des Einsatzwerkzeugs muss mindestens so hoch sein wie die auf dem Elektrowerkzeug angegebene Höchstdrehzahl. Zubehör, das sich schneller als zulässig dreht, kann zerbrechen und umherfliegen.
- f) Außendurchmesser und Dicke des Einsatzwerkzeugs müssen den Maßangaben Ihres Elektrowerkzeugs entsprechen. Falsch bemessene Einsatzwerkzeuge können nicht ausreichend abgeschirmt oder kontrolliert werden.
- g) Die Maße zur Befestigung des Einsatzwerkzeugs müssen zu den Maßen der Befestigungsmittel des Elektrowerkzeugs passen. Einsatzwerkzeuge, die nicht passgenau am Elektrowerkzeug befestigt werden, drehen sich ungleichmäßig, vibrieren sehr stark und können zum Verlust der Kontrolle führen.

- h) Verwenden Sie keine beschädigten Einsatzwerkzeuge. Kontrollieren Sie vor jeder Verwendung Einsatzwerkzeuge wie Schleifscheiben auf Absplitterungen und Risse, Schleifteller auf Risse, Verschleiß oder starke Abnutzung, Drahtbürsten auf lose oder gebrochene Drähte. Wenn das Elektrowerkzeug oder das Einsatzwerkzeug herunterfällt, überprüfen Sie, ob es beschädigt ist, oder verwenden Sie ein unbeschädigtes Einsatzwerkzeug. Wenn Sie das Einsatzwerkzeug kontrolliert und eingesetzt haben, halten Sie und in der Nähe befindliche Personen sich außerhalb der Ebene des rotierenden Einsatzwerkzeugs auf und lassen Sie das Elektrowerkzeug eine Minute lang mit Höchstdrehzahl laufen. Beschädigte Einsatzwerkzeuge brechen meist in dieser Testzeit.
- i) Tragen Sie persönliche Schutzausrüstung. Verwenden Sie je nach Anwendung Vollgesichtsschutz, Augenschutz oder Schutzbrille. Soweit angemessen, tragen Sie Staubmaske, Gehörschutz, Schutzhandschuhe oder Spezialschürze, die kleine Schleif- und Materialpartikel von Ihnen fernhält. Die Augen sollen vor herumfliegenden Fremdkörpern geschützt werden, die bei verschiedenen Anwendungen entstehen. Staub oder Atemschutzmaske müssen den bei der Anwendung entstehenden Staub filtern. Wenn Sie lange lautem Lärm ausgesetzt sind, können Sie einen Hörverlust erleiden.
- j) Achten Sie bei anderen Personen auf sicheren Abstand zu Ihrem Arbeitsbereich. Jeder, der den Arbeitsbereich betritt, muss persönliche Schutzausrüstung tragen. Bruchstücke des Werkstücks oder gebrochener Einsatzwerkzeuge können wegfiegen und Verletzungen auch außerhalb des direkten Arbeitsbereichs verursachen.
- k) Halten Sie das Netzkabel von sich drehenden Einsatzwerkzeugen fern. Wenn Sie die Kontrolle über das Gerät verlieren, kann das Netzkabel durchtrennt oder erfasst werden und Ihre Hand oder Ihr Arm in das sich drehende Einsatzwerkzeug geraten.
- l) Legen Sie das Elektrowerkzeug niemals ab, bevor das Einsatzwerkzeug völlig zum Stillstand gekommen ist. Das sich drehende Einsatzwerkzeug kann in Kontakt mit der Ablagefläche geraten, wodurch Sie die Kontrolle über das Elektrowerkzeug verlieren können.
- m) Lassen Sie das Elektrowerkzeug nicht laufen, während Sie es tragen. Ihre Kleidung kann durch zufälligen Kontakt mit dem sich drehenden Einsatzwerkzeug erfasst werden, und das Einsatzwerkzeug sich in Ihren Körper bohren.
- n) Reinigen Sie regelmäßig die Lüftungsschlitze Ihres Elektrowerkzeugs. Das Motorgebläse zieht Staub in das Gehäuse, und eine starke Ansammlung von Metallstaub kann elektrische Gefahren verursachen.
- o) Verwenden Sie das Elektrowerkzeug nicht in der Nähe brennbarer Materialien. Funken können diese Materialien entzünden.
- p) Verwenden Sie keine Einsatzwerkzeuge, die flüssige Kühlmittel erfordern. Die Verwendung von Wasser oder anderen flüssigen Kühlmitteln kann zu einem elektrischen Schlag führen.

Rückschlag und entsprechende Sicherheitshinweise

Rückschlag ist die plötzliche Reaktion infolge eines hakenden oder blockierten drehenden Einsatzwerkzeugs, wie Schleifscheibe, Schleifteller, Drahtbürste usw. Verhaken oder Blockieren führt zu einem abrupten Stopp des rotierenden Einsatzwerkzeugs. Dadurch wird ein unkontrolliertes Elektrowerkzeug gegen die Drehrichtung des Einsatzwerkzeugs an der Blockierstelle beschleunigt.

Wenn z. B. eine Schleifscheibe im Werkstück hakt oder blockiert, kann sich die Kante der Schleifscheibe, die in das Werkstück eintaucht, verfangen und dadurch die Schleifscheibe ausbrechen oder einen Rückschlag verursachen. Die Schleifscheibe bewegt sich dann auf die Bedienperson zu oder von ihr weg, je nach Drehrichtung der Scheibe an der Blockierstelle. Hierbei können Schleifscheiben auch brechen.

Ein Rückschlag ist die Folge eines falschen oder fehlerhaften Gebrauchs des Elektrowerkzeugs. Er kann durch geeignete Vorsichtsmaßnahmen, wie nachfolgend beschrieben, verhindert werden.

- a) Halten Sie das Elektrowerkzeug gut fest und bringen Sie Ihren Körper und Ihre Arme in eine Position, in der Sie die Rückschlagkräfte abfangen können. Verwenden Sie immer den Zusatzgriff, falls vorhanden, um die größtmögliche Kontrolle über Rückschlagkräfte oder Reaktionsmomente beim Hochlauf zu haben. Die Bedienperson kann durch geeignete Vorsichtsmaßnahmen die Rückschlag und Reaktionskräfte beherrschen.
- b) Bringen Sie Ihre Hand nie in die Nähe sich drehender Einsatzwerkzeuge. Das Einsatzwerkzeug kann sich beim Rückschlag über Ihre Hand bewegen.
- c) Meiden Sie mit Ihrem Körper den Bereich, in den das Elektrowerkzeug bei einem Rückschlag bewegt wird. Der Rückschlag treibt das Elektrowerkzeug in die Richtung entgegengesetzt zur Bewegung der Schleifscheibe an der Blockierstelle.
- d) Arbeiten Sie besonders vorsichtig im Bereich von Ecken, scharfen Kanten usw. Verhindern Sie, dass Einsatzwerkzeuge vom Werkstück zurückprallen und verklemmen. Das rotierende Einsatzwerkzeug neigt bei Ecken, scharfen Kanten oder wenn es abprallt, dazu, sich zu verklemmen. Dies verursacht einen Kontrollverlust oder Rückschlag.
- e) Verwenden Sie kein Ketten- oder gezähntes Sägeblatt. Solche Einsatzwerkzeuge verursachen häufig einen Rückschlag oder den Verlust der Kontrolle über das Elektrowerkzeug.

Besondere Sicherheitshinweise zum Polieren

- a) Lassen Sie keine losen Teile der Polierhaube, insbesondere Befestigungsschnüre, zu. Verstauen oder kürzen Sie die Befestigungsschnüre. Lose, sich mitdrehende Befestigungsschnüre können Ihre Finger erfassen oder sich im Werkstück verfangen.

Weitere Sicherheitshinweise

- Sichern Sie das Werkstück. Ein mit Spannvorrichtungen oder Schraubstock festgehaltenes Werkstück ist sicherer gehalten als mit Ihrer Hand.
- Stützen Sie auf keinen Fall die Hände neben oder vor dem Gerät und der zu bearbeitenden Fläche ab, da bei einem Abrutschen Verletzungsgefahr besteht.
- Sorgen Sie bei der Bearbeitung von Kunststoffen, Farben, Lacken, etc. für ausreichende Belüftung.
- Tränken Sie Materialien oder zu bearbeitende Flächen nicht mit lösungsmittelhaltigen Flüssigkeiten.
- Bearbeiten Sie keine angefeuchteten Materialien oder feuchte Flächen.
- Verwenden Sie das Gerät niemals zweckentfremdet und nur mit Originalteilen/-zubehör. Der Gebrauch anderer als in der Bedienungsanleitung empfohlener Teile oder anderen Zubehörs kann eine Verletzungsgefahr für Sie bedeuten.
- Das Gerät muss stets sauber, trocken und frei von Öl oder Schmierfetten sein.
- Das Gewinde der Zubehöerteile muss mit dem Gewinde der Schleifspindel übereinstimmen. Bei Zubehöerteilen, die mit Hilfe eines Flanschs montiert werden, muss die Bohrung des Zubehöerteils mit dem Durchmesser des Flanschs übereinstimmen. Zubehöerteile, die nicht auf das Gerät passen, laufen unrund, vibrieren zu stark und können dazu führen, dass die Kontrolle über das Gerät verloren geht.

Originalzubehör/-zusatzgeräte

- Benutzen Sie nur Zubehör und Zusatzgeräte, die in der Gebrauchsanweisung angegeben sind. Der Gebrauch anderer als in der Bedienungsanleitung empfohlener Einsatzwerkzeuge oder anderen Zubehörs kann eine Verletzungsgefahr für Sie bedeuten.

Vor der Inbetriebnahme

Zusatz-Handgriff montieren

⚠ VORSICHT!

- ▶ Aus Sicherheitsgründen darf dieses Gerät nur mit dem Zusatz-Handgriff **3** verwendet werden. Andernfalls können Verletzungen die Folge sein. Der Zusatz-Handgriff **3** kann je nach Arbeitsweise links, rechts oder oben am Gerätekopf eingeschraubt werden.

Montage/Demontage des Poliertellers

- ◆ Betätigen Sie die Spindelarretierung **7** und halten Sie diese gedrückt.
- ◆ Schrauben Sie den Polierteller **4** im Uhrzeigersinn auf das Gewinde **6**.
- ◆ Um den Polierteller **4** zu entfernen, gehen Sie in umgekehrter Reihenfolge vor.

Montage/Demontage des Polierpads

⚠ WARNUNG!

- ▶ Trennen Sie unbedingt das Gerät vom Netz bevor Sie das Polierpad **5** aufsetzen oder lösen.
- ◆ Der Polierteller **4** und das im Lieferumfang enthaltene Polierpad **5** sind mit korrespondierendem Klettverschluss ausgestattet.
- ◆ Befestigen Sie das mitgelieferte Polierpad **5** mithilfe des Klettverschlusses passgenau auf dem Polierteller **4**.
- ◆ Zum Wechsel heben Sie das Polierpad **5** seitlich an und ziehen Sie es vom Polierteller **4** ab.

Inbetriebnahme

Ein- und ausschalten

Einschalten

- ◆ Schieben Sie den EIN-/AUS-Schalter **1** nach vorne bis er hörbar einrastet, um das Gerät einzuschalten.

Ausschalten

- ◆ Drücken und schieben Sie den EIN-/AUS-Schalter **1** nach hinten, um das Gerät auszuschalten.

Drehzahl vorwählen

- ◆ Wählen Sie mit dem Drehzahlregler **2** die benötigte Drehzahl vor.
Stufe 1: ca. 1300 min⁻¹
Stufe 2: ca. 1670 min⁻¹
Stufe 3: ca. 2280 min⁻¹
Stufe 4: ca. 2890 min⁻¹
Stufe 5: ca. 3400 min⁻¹
Stufe 6: ca. 3880 min⁻¹

Polieren

- ◆ Geben Sie etwas Politur auf das aufgesetzte Polierpad **5** und das Werkstück.
- ◆ Verteilen Sie die Politur manuell auf der zu polierenden Fläche.

HINWEIS

- ▶ Wenden Sie die Politur nicht zu oft auf einer Fläche an, da die enthaltenen Partikel den Lack beschädigen können.
- ▶ Kleben Sie Plastikteile vorher ab, da diese durch die Politur aufgehellert werden können.

- ◆ Führen Sie das Gerät parallel an das Werkstück.
- ◆ Schalten Sie das Gerät ein.
- ◆ Bewegen Sie das Gerät parallel und gleichmäßig über die zu polierende Oberfläche.
- ◆ Das Gerät nicht aufdrücken. Starkes Aufdrücken erhöht die Arbeitsleistung nicht!
- ◆ Wenn Sie mit dem Ergebnis zufrieden sind, schalten Sie das Gerät aus.

⚠ ACHTUNG!

- ▶ Je nach Größe und Art des Werkstückes sind entsprechende Sicherheitsvorkehrungen zu treffen. Verwenden Sie geeignete Klemmvorrichtungen, um ein Verrutschen des Werkstückes zu verhindern.

Arbeitshinweise

- Arbeiten Sie mit geringem Anpressdruck.
- Arbeiten Sie mit gleichmäßigem Vorschub.
- Führen Sie den Poliervorgang parallel und überlappend zu den Polierbahnen durch.

Wartung und Reinigung

⚠ WARNUNG!

- ▶ Bevor Sie Arbeiten am Gerät durchführen, trennen Sie unbedingt das Gerät vom Netz.

Das Gerät ist wartungsfrei.

- Reinigen Sie das Gerät direkt nach Abschluss der Arbeit.
- Verwenden Sie zur Reinigung des Gehäuses ein trockenes Tuch.
- Verwenden Sie keinesfalls scharfe Gegenstände, Benzin, Lösungsmittel oder Reiniger, die Kunststoff angreifen. Vermeiden Sie, dass Flüssigkeiten in das Innere des Gerätes gelangen.
- **Wenn ein Ersatz der Anschlussleitung erforderlich ist, dann ist dies vom Hersteller oder seinem Vertreter auszuführen, um Sicherheitsgefährdungen zu vermeiden.**

Entsorgung



Das nebenstehende Symbol einer durchgestrichenen Mülltonne auf Rädern zeigt an, dass dieses Gerät der Richtlinie 2012/19/EU unterliegt.

Diese Richtlinie besagt, dass Sie dieses Gerät am Ende seiner Nutzungszeit nicht mit dem normalen Haushaltsmüll entsorgen dürfen, sondern in speziell eingerichteten Sammelstellen, Wertstoffhöfen oder Entsorgungsbetrieben abgeben müssen.

Diese Entsorgung ist für Sie kostenfrei. Schonen Sie die Umwelt und entsorgen Sie fachgerecht.

Für den deutschen Markt gilt:

Beim Kauf eines Neugerätes haben Sie das Recht, ein entsprechendes Altgerät an Ihren Händler zurückzugeben. Händler von Elektro- und Elektronikgeräten sowie Lebensmittelhändler, die regelmäßig Elektro- und Elektronikgeräte verkaufen, sind verpflichtet, bis zu drei Altgeräte unentgeltlich zurückzunehmen, auch ohne dass ein Neugerät gekauft wird, wenn die Altgeräte in keiner Abmessung größer als 25 cm sind. LIDL bietet Ihnen Rücknahmemöglichkeiten direkt in den Filialen und Märkten an.

Sofern Ihr Altgerät personenbezogene Daten enthält, sind Sie selbst für deren Löschung verantwortlich, bevor Sie es zurückgeben.



Weitere Möglichkeiten zur Entsorgung des ausgedienten Produkts erfahren Sie bei Ihrer Gemeinde- oder Stadtverwaltung.



Die Verpackung besteht aus umweltfreundlichen Materialien, die Sie über die örtlichen Recyclingstellen entsorgen können.



Entsorgen Sie die Verpackung umweltgerecht. Beachten Sie die Kennzeichnung auf den verschiedenen Verpackungsmaterialien und trennen Sie diese gegebenenfalls gesondert. Die Verpackungsmaterialien sind gekennzeichnet mit Abkürzungen (a) und Ziffern (b) mit folgender Bedeutung: 1–7: Kunststoffe, 20–22: Papier und Pappe, 80–98: Verbundstoffe.

Garantie der Kompernaß Handels GmbH

Sehr geehrte Kundin, sehr geehrter Kunde,

Sie erhalten auf dieses Gerät 3 Jahre Garantie ab Kaufdatum. Sofern im Lieferumfang enthalten, erhalten Sie auf die Akku-Packs der X12V und X20V Team Serie ebenfalls 3 Jahre Garantie ab Kaufdatum. Im Falle von Mängeln dieses Produkts stehen Ihnen gegen den Verkäufer des Produkts gesetzliche Rechte zu. Diese gesetzlichen Rechte werden durch unsere im Folgenden dargestellte Garantie nicht eingeschränkt.

Garantiebedingungen

Die Garantiefrist beginnt mit dem Kaufdatum. Bitte bewahren Sie den Kassenbon gut auf. Dieser wird als Nachweis für den Kauf benötigt.

Tritt innerhalb von drei Jahren ab dem Kaufdatum dieses Produkts ein Material- oder Fabrikationsfehler auf, wird das Produkt von uns – nach unserer Wahl – für Sie kostenlos repariert, ersetzt oder der Kaufpreis erstattet. Diese Garantieleistung setzt voraus, dass innerhalb der Dreijahresfrist das defekte Gerät und der Kaufbeleg (Kassenbon) vorgelegt und schriftlich kurz beschrieben wird, worin der Mangel besteht und wann er aufgetreten ist.

Wenn der Defekt von unserer Garantie gedeckt ist, erhalten Sie das reparierte oder ein neues Produkt zurück. Mit Reparatur oder Austausch des Produkts beginnt kein neuer Garantiezeitraum.

Garantiezeit und gesetzliche Mängelansprüche

Die Garantiezeit wird durch die Gewährleistung nicht verlängert. Dies gilt auch für ersetzte und reparierte Teile. Eventuell schon beim Kauf vorhandene Schäden und Mängel müssen sofort nach dem Auspacken gemeldet werden. Nach Ablauf der Garantiezeit anfallende Reparaturen sind kostenpflichtig.

Garantieumfang

Das Gerät wurde nach strengen Qualitätsrichtlinien sorgfältig produziert und vor Auslieferung gewissenhaft geprüft.

Die Garantieleistung gilt für Material- oder Fabrikationsfehler. Der Garantieumfang erstreckt sich nicht auf Produktteile, die normaler Abnutzung ausgesetzt sind und daher als Verschleißteile angesehen werden können, wie z. B. Sägeblätter, Ersatzklingen, Schleifpapiere, etc. oder auf Beschädigungen an zerbrechlichen Teilen, wie z. B. Schalter oder Teile, die aus Glas gefertigt sind.

Diese Garantie verfällt, wenn das Produkt beschädigt, nicht sachgemäß benutzt oder gewartet wurde. Für eine sachgemäße Benutzung des Produkts sind alle in der Bedienungsanleitung aufgeführten Anweisungen genau einzuhalten. Verwendungszwecke und Handlungen, von denen in der Bedienungsanleitung abgeraten oder vor denen gewarnt wird, sind unbedingt zu vermeiden.

Das Produkt ist nur für den privaten und nicht für den gewerblichen Gebrauch bestimmt. Bei missbräuchlicher und unsachgemäßer Behandlung, Gewaltanwendung und bei Eingriffen, die nicht von unserer autorisierten Serviceniederlassung vorgenommen wurden, erlischt die Garantie.

Garantieleistung gilt nicht bei

- normaler Abnutzung der Akkukapazität
- gewerblichen Gebrauch des Produktes
- Beschädigung oder Veränderung des Produktes durch den Kunden
- Missachtung der Sicherheits- und Wartungsvorschriften, Bedienungsfehler
- Schäden durch Elementarereignisse

Abwicklung im Garantiefall

Um eine schnelle Bearbeitung Ihres Anliegens zu gewährleisten, folgen Sie bitte den folgenden Hinweisen:

- Bitte halten Sie für alle Anfragen den Kassenbon und die Artikelnummer (IAN) 449752_2310 als Nachweis für den Kauf bereit.
- Die Artikelnummer entnehmen Sie bitte dem Typenschild am Produkt, einer Gravur am Produkt, dem Titelblatt der Bedienungsanleitung (unten links) oder dem Aufkleber auf der Rück- oder Unterseite des Produktes.
- Sollten Funktionsfehler oder sonstige Mängel auftreten, kontaktieren Sie zunächst die nachfolgend benannte Serviceabteilung **telefonisch** oder per **E-Mail**.
- Ein als defekt erfasstes Produkt können Sie dann unter Beifügung des Kaufbelegs (Kassenbon) und der Angabe, worin der Mangel besteht und wann er aufgetreten ist, für Sie portofrei an die Ihnen mitgeteilte Serviceanschrift übersenden.



Auf www.lidl-service.com können Sie diese und viele weitere Handbücher, Produktvideos und Installationssoftware herunterladen.

Mit diesem QR-Code gelangen Sie direkt auf die Lidl-Service-Seite (www.lidl-service.com) und können mittels der Eingabe der Artikelnummer (IAN) 449752_2310 Ihre Bedienungsanleitung öffnen.

Service

DE Service Deutschland

Tel.: 0800 5435 111 (kostenfrei aus dem dt. Festnetz/Mobilfunknetz)
E-Mail: kompernass@lidl.de

AT Service Österreich

Tel.: 0800 447 744
E-Mail: kompernass@lidl.at

CH Service Schweiz

Tel.: 0800 56 44 33
E-Mail: kompernass@lidl.ch

IAN 449752_2310

Importeur

Bitte beachten Sie, dass die folgende Anschrift keine Serviceanschrift ist. Kontaktieren Sie zunächst die benannte Servicestelle.

Für den EU-Markt

 KOMPERNASS HANDELS GMBH
BURGSTRASSE 21
44867 BOCHUM
DEUTSCHLAND
www.kompernass.com

Für den GB-Markt

Lidl Great Britain Ltd
Lidl House 14 Kingston Road
Surbiton
KT5 9NU

Original-Konformitätserklärung

Wir, KOMPERNASS HANDELS GMBH, Dokumentenverantwortlicher: Herr Semi Uguzlu, BURGSTR. 21, 44867 BOCHUM, DEUTSCHLAND, erklären hiermit, dass dieses Produkt mit den folgenden Normen, normativen Dokumenten und EG-Richtlinien übereinstimmt:

Maschinenrichtlinie

(2006/42/EG)

Elektromagnetische Verträglichkeit

(2014/30/EU)

RoHS-Richtlinie

(2011/65/EU)*

* Die alleinige Verantwortung für die Ausstellung dieser Konformitätserklärung trägt der Hersteller. Der oben beschriebene Gegenstand der Erklärung erfüllt die Vorschriften der Richtlinie 2011/65/EU des Europäischen Parlaments und des Rates vom 8. Juni 2011 zur Beschränkung der Verwendung bestimmter gefährlicher Stoffe in Elektro- und Elektronikgeräten.

Angewandte harmonisierte Normen

EN 62841-1:2015/A11:2022

EN IEC 62841-2-3:2021/A11:2021

EN IEC 55014-1:2021

EN IEC 55014-2:2021

EN IEC 61000-3-2:2019/A1:2021

EN 61000-3-3:2013/A2:2021

EN IEC 63000:2018

Typ/Gerätebezeichnung: Poliermaschine Spot-Repair PPM 800 A1

Herstellungsjahr: 02-2024

Seriennummer: IAN 449752_2310

Bochum, 11.01.2024



Semi Uguzlu

- Qualitätsmanager -

Technische Änderungen im Sinne der Weiterentwicklung sind vorbehalten.



Dieses Zeichen bestätigt, dass das Produkt den in Großbritannien geltenden Anforderungen an die Produktsicherheit entspricht.

KOMPERNASS HANDELS GMBH

BURGSTRASSE 21

44867 BOCHUM

GERMANY

www.kompernass.com

Last Information Update · Stand der Informationen:

02/2024 · Ident.-No.: PPM800A1-012024-1

IAN 449752_2310