

SILVERCREST®



ELECTRIC COFFEE GRINDER SKMS 150 A1

GB IE NI CY

ELECTRIC COFFEE GRINDER

Operating instructions

DE AT CH

ELEKTRISCHE KAFFEEMÜHLE

Bedienungsanleitung

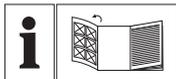
GR CY

ΗΛΕΚΤΡΙΚΟΣ ΜΥΛΟΣ ΚΑΦΕ

Οδηγίες χρήσης

IAN 353473_2007

GB IE
NI CY



GB IE NI CY

Before reading, unfold the page containing the illustrations and familiarise yourself with all functions of the device.

GR CY

Πριν ξεκινήσετε την ανάγνωση, ανοίξτε τη σελίδα με τις εικόνες και εξοικειωθείτε με όλες τις λειτουργίες της συσκευής.

DE AT CH

Klappen Sie vor dem Lesen die Seite mit den Abbildungen aus und machen Sie sich anschließend mit allen Funktionen des Gerätes vertraut.

GB/IE/NI/CY	Operating instructions	Page	1
GR/CY	Οδηγίες χρήσης	Σελίδα	9
DE/AT/CH	Bedienungsanleitung	Seite	17

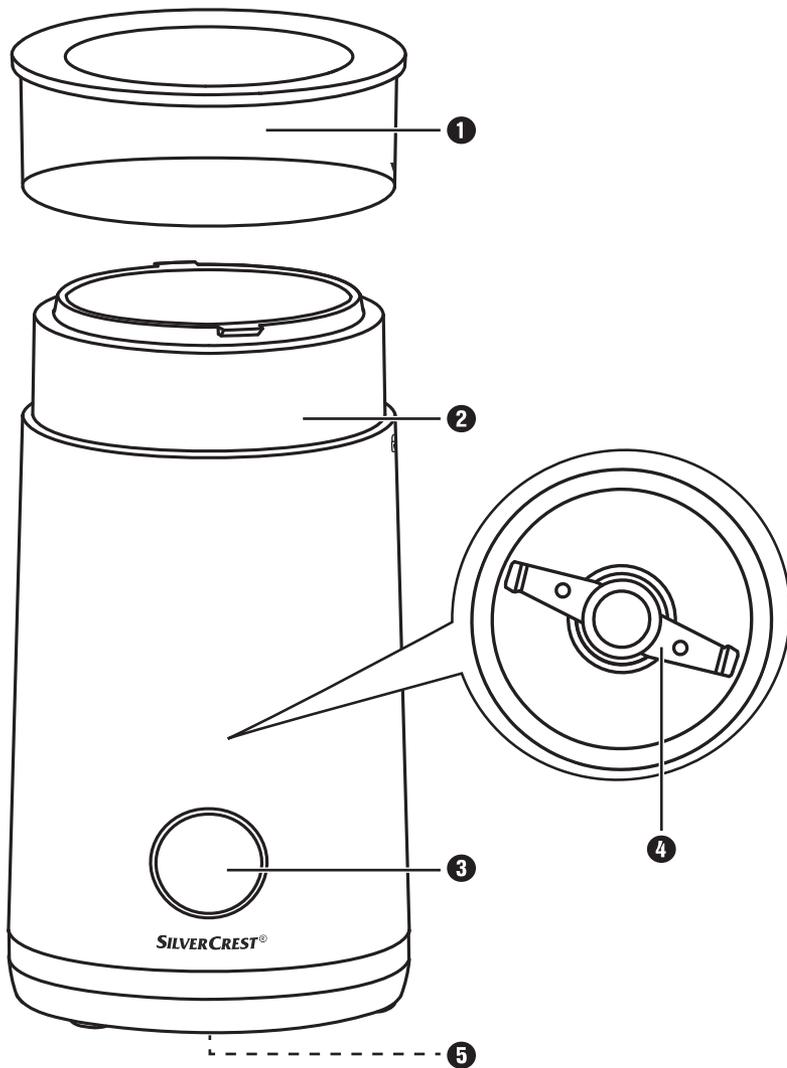
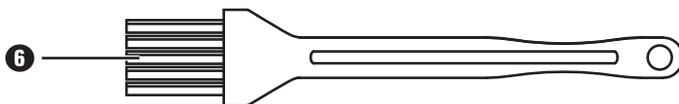
A**B**

Table of Contents

Introduction	2
Proper use	2
Package contents	2
Appliance description	2
Technical details	2
Safety instructions	3
Setup/initial start-up	5
Grinding coffee beans for filter coffee	5
Grinding espresso beans for espresso	6
Cleaning and care	6
Storage	6
Disposal	7
Kompernass Handels GmbH warranty	7
Service	8
Importer	8

Introduction

Congratulations on the purchase of your new appliance.

You have selected a high-quality product. The operating instructions are part of this product. They contain important information on safety, use and disposal. Before using the product, familiarise yourself with all operating and safety instructions. Use this product only as described and only for the specified areas of application. Please also pass these operating instructions on to any future owner(s).

Proper use

This appliance is intended exclusively for grinding coffee/espresso beans. This appliance is intended exclusively for use in domestic households. Not to be used for commercial purposes.

Package contents

Electric Coffee Grinder

Cleaning brush

Operating instructions

Appliance description

- 1 Lid
- 2 Motor unit
- 3 Switch
- 4 Blade
- 5 Cable retainer
- 6 Cleaning brush

Technical details

Rated voltage:	220 - 240 V ~ (alternating current), 50/60 Hz
Rated input:	150 W
max. filling quantity:	70 g
min. filling quantity:	7 g
Protection class:	II /  (double insulation)



All of the parts of this appliance that come into contact with food are food-safe.

NOTE

- ▶ After using four times to grind coffee (4 x 30 seconds with 1 minute pause in between) in succession, we recommend pausing for around 60 minutes so that the appliance can cool down.
- ▶ After using twice for the grinding of coffee powder (2 x 45 seconds with 1 minute pause in between) in succession, we recommend pausing for around 60 minutes so that the appliance can cool down.

Safety instructions

RISK OF ELECTRIC SHOCK

- ▶ Connect this appliance only to correctly installed mains power sockets supplying a mains voltage of 220 - 240 V ~, 50/60 Hz.
- ▶ If the supply cord is damaged, it must be replaced by the manufacturer, its service agent or similarly qualified persons in order to avoid a hazard.
- ▶ In event of operating malfunctions and before cleaning the appliance, remove the plug from the mains power socket.
- ▶ Always remove the power cable from the socket by pulling on the plug, not on the power cable itself.
- ▶ Do not crimp or crush the power cable, and route the cable so that it cannot be stepped on or tripped over.
- ▶ The appliance must not be exposed to moisture or used outdoors. If the housing is penetrated by liquid, disconnect the appliance from the mains power socket immediately and have it repaired by a qualified technician.
- ▶ NEVER take hold the motor unit, the power cable or the plug with wet hands.
- ▶ If the power cable or the motor unit are damaged, you must have the appliance repaired by qualified technicians before using it again.
- ▶ Do not open the housing of the appliance motor unit. Should you do so, the safety of the appliance is no longer assured and the warranty will become void.
- ▶ Disconnect the appliance from the mains power source immediately after use. The appliance is completely free of electrical power ONLY when unplugged.



Never immerse the motor unit of the appliance in liquid and do not allow any liquids to enter the casing of the motor unit.

⚠ WARNING! RISK OF INJURY!

- ▶ This appliance shall not be used by children.
- ▶ Keep the appliance and its cord out of reach of children.
- ▶ Appliances can be used by persons with reduced physical, sensory or mental capabilities or lack of experience and knowledge if they have been given supervision or instruction concerning use of the appliance in a safe way and if they understand the hazards involved.
- ▶ Children shall not play with the appliance.
- ▶ Handle the extremely sharp blade with caution, it can cause injuries. Reassemble the appliance after using and/or cleaning it so that you do not injure yourself with the exposed blade. Keep the blade out of the reach of children.
- ▶ NEVER attempt to remove the coffee beans from the bowl for as long as the blade is still rotating. Risk of injury!
- ▶ Wait until the blade has stopped rotating before removing the lid. NEVER try to grasp the blade if it is still rotating! Risk of injury!
- ▶ The appliance and its connecting cable must be kept away from children.
- ▶ The appliance should always be disconnected from the mains when unattended and before assembly, disassembly or cleaning.
- ▶ Use this appliance only as described in this instruction manual. Never use it for other purposes.
- ▶ Misuse of the appliance can lead to a risk of injury!

ATTENTION! DAMAGE TO PROPERTY!

- ▶ Do not use the appliance to fragmentise ice cubes!
This will irreparably damage the appliance!

NOTE

- ▶ No user action is required to switch the product between 50 and 60 Hz. The product adapts automatically to either 50 or 60 Hz.

Setup/initial start-up

- 1) Clean the appliance as described in the chapter "Cleaning and Care".
- 2) Place the appliance on a suitable and level surface.
- 3) Unwind the cable from around the cable retainer ❸ and guide it through the recess on the edge of the housing.
- 4) Insert the plug into a mains power socket. The appliance is now ready for use.

Grinding coffee beans for filter coffee

- 1) Remove the lid ❶ from the motor unit ❷.
- 2) Fill with the required quantity of coffee beans.

NOTE

- ▶ Do not fill the appliance with more than 70 g of coffee beans. If you do so, the coffee beans will not be ground properly. 70 g corresponds to around 8 tablespoons of coffee beans!
- ▶ You will require around 6 – 8 g of ground coffee for one cup of coffee. Please observe the instructions in the operating manual of your coffee machine.

- 3) Place the lid ❶ on the motor unit ❷ so that the arrow ▼ on the lid ❶ points towards the ⌈⌋ symbol on the motor unit ❷. Close the lid ❶ by turning it clockwise until the arrow ▼ points to the ⌈⌋ symbol. The lid ❶ clicks into place.
- 4) Press and hold the switch ❸ until the coffee beans have been ground to your requirements (around 30 seconds).

NOTE

- ▶ If, during grinding, coffee starts collecting on the edge of the appliance where it is out of the reach of the blade ❹, shake the appliance gently so that the coffee falls back inside.

The coffee grinding grade is influenced by the quantity of coffee beans added and the duration of grinding.

The longer you grind the coffee, the finer the result. Shorter grinding results in coarser ground coffee.

Grinding grade	Recommended quantity of coffee beans	Time in seconds
Coarse	70 g (approx. 8 tbsp.)	30 s
Medium	45 g (approx. 5 tbsp.)	35 s
Fine	36 g (approx. 4 tbsp.)	45 s

These are rough guide values.

NOTE

- ▶ Please note the information about the grinding grade in the operating manual of your coffee machine.

- 5) Release the switch ❸ once the coffee beans have been ground to your requirements and wait until the blade ❹ has come to a standstill.
- 6) Unscrew the lid ❶ until the arrow ▼ on the lid ❶ points towards the ⌈⌋ symbol on the motor unit ❷ and remove it.
- 7) Remove the plug from the mains power socket. You can now remove the ground coffee using a spoon or similar. You can clear out any residue using the cleaning brush ❺.

Grinding espresso beans for espresso

Ground coffee for espresso always requires very fine grinding. Ensure that you grind the special espresso beans for an appropriate time (approx. 45 seconds) when preparing espresso.

NOTE

- ▶ To reach the grinding grade needed for espresso, we recommend grinding a maximum of 36 g of espresso beans (around 4 tbsp.) for around 45 seconds.

When grinding espresso beans, proceed exactly as described in the section "Grinding coffee beans for filter coffee" and use the following guide values. Use the following guide values to help you:

- 18 g (approx. 2 tbsp.) of espresso beans for 2 cups of espresso.
- 36 g (approx. 4 tbsp.) of espresso beans for 4 cups of espresso.

Cleaning and care

⚠ RISK OF ELECTRIC SHOCK

- ▶ Always remove the plug from the mains power socket before you clean the appliance.



Never immerse the appliance's motor unit **2** in liquid, and never allow liquid to enter the motor unit housing **2**.

⚠ WARNING! RISK OF INJURY!

- ▶ Take great care when handling the blade **4**. It is extremely sharp!

- ◆ Clean the interior of motor unit **2** after every use with a dry, soft cloth or the cleaning brush **6**.

- ◆ Clean the outside of the motor unit **2** with a moist cloth after every use. For stubborn dirt, add some mild detergent to the cloth. Rinse detergent residues off with fresh water. Ensure that there are no detergent residues on the appliance, and that the appliance is completely dry before using it again.
- ◆ Rinse the lid **1** in lukewarm water with a little detergent in it.

NOTE

- ▶  The lid **1** can also be washed in the dishwasher. Place it in the upper basket of the dishwasher, if possible, and make sure that it is not jammed.

- ◆ Ensure that all detergent residues have been removed and that the lid **1** is completely dry before you reuse the appliance.

Storage

- ◆ Always wipe the appliance down thoroughly before storing.
- ◆ Wrap the power cable around the cable retainer **5**. Guide the end of the power cable with the plug through the recess on the housing.
- ◆ Store the appliance in a clean and dry location.

Disposal



Never dispose of the appliance in normal domestic waste. This product is subject to the provisions of European Directive 2012/19/EU.

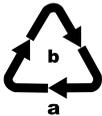
Dispose of the appliance through an approved disposal centre or at your community waste facility. Please observe the currently applicable regulations. Please contact your waste disposal centre should you be in any doubt.



Your local community or municipal authorities can provide information on how to dispose of the worn-out product.



The packaging is made from environmentally-friendly material and can be disposed off at your local recycling plant.



Dispose of the packaging in an environmentally friendly manner. Note the labelling on the packaging and separate the packaging material components for disposal if necessary. The packaging material is labelled with abbreviations (a) and numbers (b) with the following meanings: 1–7: Plastics, 20–22: Paper and cardboard, 80–98: Composites.

Kompernass Handels GmbH warranty

Dear Customer,

This appliance has a 3-year warranty valid from the date of purchase. If this product has any faults, you, the buyer, have certain statutory rights. Your statutory rights are not restricted in any way by the warranty described below.

Warranty conditions

The warranty period starts on the date of purchase. Please keep your receipt in a safe place. This will be required as proof of purchase.

If any material or manufacturing fault occurs within three years of the date of purchase of the product, we will either repair or replace the product for you or refund the purchase price (at our discretion). This warranty service requires that you present the defective appliance and the proof of purchase (receipt) within the three-year warranty period, along with a brief written description of the fault and of when it occurred.

If the defect is covered by the warranty, your product will either be repaired or replaced by us. The repair or replacement of a product does not signify the beginning of a new warranty period.

Warranty period and statutory claims for defects

The warranty period is not prolonged by repairs effected under the warranty. This also applies to replaced and repaired components. Any damage and defects present at the time of purchase must be reported immediately after unpacking. Repairs carried out after expiry of the warranty period shall be subject to a fee.

Scope of the warranty

This appliance has been manufactured in accordance with strict quality guidelines and inspected meticulously prior to delivery.

The warranty covers material faults or production faults. The warranty does not extend to product parts subject to normal wear and tear or to fragile parts which could be considered as consumable parts such as switches, batteries or parts made of glass.

The warranty does not apply if the product has been damaged, improperly used or improperly maintained. The directions in the operating instructions for the product regarding proper use of the product are to be strictly followed. Uses and actions that are discouraged in the operating instructions or which are warned against must be avoided.

This product is intended solely for private use and not for commercial purposes. The warranty shall be deemed void in cases of misuse or improper handling, use of force and modifications / repairs which have not been carried out by one of our authorised Service centres.

Warranty claim procedure

To ensure quick processing of your case, please observe the following instructions:

- Please have the till receipt and the item number (e.g. IAN 123456_7890) available as proof of purchase.
- You will find the item number on the type plate on the product, an engraving on the product, on the front page of the operating instructions (below left) or on the sticker on the rear or bottom of the product.
- If functional or other defects occur, please contact the service department listed either by **telephone** or by **e-mail**.
- You can return a defective product to us free of charge to the service address that will be provided to you. Ensure that you enclose the proof of purchase (till receipt) and information about what the defect is and when it occurred.



You can download these instructions along with many other manuals, product videos and installation software at www.lidl-service.com.

This QR code will take you directly to the Lidl service page (www.lidl-service.com) where you can open your operating instructions by entering the item number (IAN) 353473_2007.

Service

GB Service Great Britain

Tel.: 0800 404 7657

E-Mail: kompennass@lidl.co.uk

IE Service Ireland

Tel.: 1 890 930 034

(0,08 EUR / Min., (peak))

(0,06 EUR / Min., (off peak))

E-Mail: kompennass@lidl.ie

CY Service Cyprus

Tel.: 8009 4409

E-Mail: kompennass@lidl.com.cy

IAN 353473_2007

Importer

Please note that the following address is not the service address. Please use the service address provided in the operating instructions.

KOMPENASS HANDELS GMBH

BURGSTRASSE 21

44867 BOCHUM

GERMANY

www.kompennass.com

Περιεχόμενα

Εισαγωγή	10
Προβλεπόμενη χρήση	10
Παραδοτέος εξοπλισμός	10
Περιγραφή συσκευής	10
Τεχνικά χαρακτηριστικά	10
Υποδείξεις ασφαλείας	11
Τοποθέτηση/ενεργοποίηση	13
Άλεσμα κόκκων καφέ για καφέ φίλτρου	13
Κόκκοι εσπρέσο για άλεσμα εσπρέσο	14
Καθαρισμός και φροντίδα	14
Αποθήκευση	14
Απόρριψη	15
Εγγύηση της Kompernass Handels GmbH	15
Σέρβις	16
Εισαγωγέας	16

Εισαγωγή

Συγχαρητήρια για την αγορά της νέας σας συσκευής.

Με την αγορά σας αυτή, αποφασίσατε για την απόκτηση ενός προϊόντος υψηλής ποιότητας. Οι οδηγίες χρήσης αποτελούν αναπόσπαστο τμήμα αυτού του προϊόντος. Περιλαμβάνουν σημαντικές υποδείξεις για την ασφάλεια, τη χρήση και την απόρριψη. Πριν από τη χρήση του προϊόντος, εξοικειωθείτε με όλες τις υποδείξεις χειρισμού και ασφάλειας. Χρησιμοποιείτε το προϊόν μόνο όπως περιγράφεται και για τα αναφερόμενα πεδία χρήσης. Παραδώστε όλα τα έγγραφα σε περίπτωση παράδοσης του προϊόντος σε τρίτους.

Προβλεπόμενη χρήση

Αυτή η συσκευή προορίζεται αποκλειστικά για το άλεσμα κόκκων καφέ/εσπρέσο. Αυτή η συσκευή προορίζεται αποκλειστικά για χρήση σε νοικοκυριά. Μην τη χρησιμοποιείτε για επαγγελματικό σκοπό.

Παραδοτέος εξοπλισμός

Ηλεκτρικός μύλος καφέ

Πινέλο καθαρισμού

Οδηγίες χρήσης

Περιγραφή συσκευής

- 1 Καπάκι
- 2 Μονάδα κινητήρα
- 3 Διακόπτης
- 4 Λεπίδα
- 5 Διάταξη τύλιξης καλωδίου
- 6 Πινέλο καθαρισμού

Τεχνικά χαρακτηριστικά

Όνομαστική τάση:	220 - 240 V ~ (εναλλασσόμενο ρεύμα), 50/60 Hz
Ισχύς εισόδου:	150 W
Μεγ. ποσότητα πλήρωσης:	70 γρ.
Ελάχ. ποσότητα πλήρωσης:	7 γρ.
Κατηγορία προστασίας:	II /  (διπλή θωράκιση)



Όλα τα εξαρτήματα αυτής της συσκευής που έρχονται σε επαφή με τρόφιμα μπορούν να χρησιμοποιούνται με ασφάλεια στα τρόφιμα.

ΥΠΟΔΕΙΞΗ

- ▶ Μετά από τέσσερις διαδοχικές χρήσεις αλέσματος σκόνης καφέ (4 x 30 δευτερόλεπτα, έκαστη από 1 λεπτό παύση ενδιάμεσα), συστήνουμε μια παύση 60 λεπτών, ώστε να μπορεί να κρυώσει η συσκευή.
- ▶ Μετά από δύο διαδοχικές χρήσεις αλέσματος σκόνης εσπρέσο (2 x 45 δευτερόλεπτα, έκαστη από 1 λεπτό παύση ενδιάμεσα), συστήνουμε μια παύση 60 λεπτών, ώστε να μπορεί να κρυώσει η συσκευή.

Υποδείξεις ασφαλείας

ΚΙΝΔΥΝΟΣ ΗΛΕΚΤΡΟΠΛΗΞΙΑΣ

- ▶ Συνδέετε τη συσκευή μόνο σε μια σύμφωνα με τις προδιαγραφές εγκατεστημένη πρίζα με τάση δικτύου 220 - 240 V ~, 50/60 Hz.
- ▶ Τα βύσματα ή τα καλώδια τροφοδοσίας που έχουν υποστεί βλάβη πρέπει να αντικαθίστανται αμέσως από εξουσιοδοτημένο εξειδικευμένο προσωπικό ή από το τμήμα εξυπηρέτησης πελατών, ώστε να αποφεύγονται κίνδυνοι.
- ▶ Σε περίπτωση βλαβών λειτουργίας και πριν από τον καθαρισμό της συσκευής αποσυνδέετε το βύσμα από την πρίζα.
- ▶ Αφαιρείται πάντα το καλώδιο δικτύου από την πρίζα από το βύσμα, μην τραβάτε το ίδιο το καλώδιο.
- ▶ Μην τσακίζετε ή συμπιέζετε το καλώδιο δικτύου και τοποθετείτε το κατά τέτοιο τρόπο ώστε να μην μπορεί κανείς να το πατήσει ή να σκοντάψει σε αυτό.
- ▶ Απαγορεύεται η έκθεση της συσκευής σε υγρασία, καθώς και η χρήση της σε εξωτερικούς χώρους. Στην περίπτωση που εισχωρήσει κάποιο υγρό στο περίβλημα της συσκευής, αποσυνδέστε αμέσως το βύσμα της συσκευής από την πρίζα και αναθέστε την επισκευή σε εξειδικευμένο προσωπικό.
- ▶ Ποτέ μην έρχεστε σε επαφή με τη μονάδα κινητήρα, το καλώδιο δικτύου ή το βύσμα με βρεγμένα χέρια.
- ▶ Εάν υποστούν βλάβη το καλώδιο δικτύου ή η μονάδα κινητήρα, πρέπει να αναθέσετε την επισκευή της συσκευής σε εξειδικευμένο προσωπικό, προτού τη χρησιμοποιήσετε εκ νέου.
- ▶ Δεν επιτρέπεται να ανοίξετε το περίβλημα της μονάδας κινητήρα της συσκευής. Σε αυτήν την περίπτωση, δεν διασφαλίζεται πλέον η ασφαλής λειτουργία και ακυρώνεται η εγγύηση.
- ▶ Μετά τη χρήση, αποσυνδέετε τη συσκευή αμέσως από το δίκτυο ρεύματος. Μόνο όταν αφαιρείτε το βύσμα από την πρίζα διακόπτεται πλήρως η τροφοδοσία ρεύματος στη συσκευή.



Δεν επιτρέπεται σε καμία περίπτωση να βυθίζετε τη μονάδα κινητήρα της συσκευής σε υγρά και δεν επιτρέπεται να αφήνετε υγρά να εισρέουν στο περίβλημα της μονάδας κινητήρα.

⚠ ΠΡΟΕΙΔΟΠΟΙΗΣΗ! ΚΙΝΔΥΝΟΣ ΤΡΑΥΜΑΤΙΣΜΟΥ!

- ▶ Η συσκευή αυτή δεν επιτρέπεται να χρησιμοποιείται από παιδιά.
- ▶ Φυλάτε τη συσκευή και το καλώδιο τροφοδοσίας της εκτός εμβέλειας παιδιών.
- ▶ Μπορεί να γίνεται χρήση αυτής της συσκευής από άτομα με μειωμένες φυσικές, αισθητηριακές ή νοητικές δυνατότητες ή με έλλειψη εμπειρίας και/ή γνώσεων, εφόσον επιτηρούνται ή έχουν εκπαιδευτεί αναφορικά με την ασφαλή χρήση της συσκευής και έχουν κατανοήσει τους επακόλουθους κινδύνους.
- ▶ Τα παιδιά δεν επιτρέπεται να παίζουν με τη συσκευή.
- ▶ Κίνδυνος τραυματισμού κατά το χειρισμό των υπερβολικά κοφτερών λεπίδων. Συναρμολογείτε εκ νέου τη συσκευή μετά τη χρήση και τον καθαρισμό, ώστε να αποφευχθεί τυχόν τραυματισμός από την κινούμενη λεπίδα. Κρατάτε τα παιδιά μακριά από τη λεπίδα.
- ▶ Ποτέ να μην αφαιρείτε τρόφιμα από το δοχείο όσο περιστρέφεται η λεπίδα. Κίνδυνος τραυματισμού!
- ▶ Περιμένετε μέχρι να ακινητοποιηθεί η λεπίδα προτού αφαιρέσετε το καπάκι. Ποτέ μην έρχεστε σε επαφή με τη λεπίδα όσο αυτή περιστρέφεται! Κίνδυνος τραυματισμού!
- ▶ Η συσκευή και το καλώδιο σύνδεσής της πρέπει να φυλάσσονται μακριά από τα παιδιά.
- ▶ Η συσκευή πρέπει να αποσυνδέεται πάντα από το δίκτυο όταν δεν επιτηρείται και πριν από τη συναρμολόγηση, την αποσυναρμολόγηση ή τον καθαρισμό.
- ▶ Η χρήση της συσκευής πρέπει να πραγματοποιείται αποκλειστικά με τον τρόπο που περιγράφεται στις παρούσες οδηγίες χρήσης. Μη χρησιμοποιείτε τη συσκευή για άλλους σκοπούς.
- ▶ Στην περίπτωση εσφαλμένης χρήσης της συσκευής υφίσταται κίνδυνος τραυματισμού!

ΠΡΟΣΟΧΗ! ΥΛΙΚΕΣ ΖΗΜΙΕΣ!

- ▶ Μην επιχειρείτε το κομμάτισμα πάγου με αυτήν τη συσκευή!
Θα προκληθούν βλάβες στη συσκευή!

ΥΠΟΔΕΙΞΗ

- Για την εναλλαγή του προϊόντος μεταξύ 50 και 60 Hz δεν απαιτείται κάποια ενέργεια από τον χρήστη. Το προϊόν προσαρμόζεται τόσο στα 50 όσο και στα 60 Hz.

Τοποθέτηση/ενεργοποίηση

- 1) Καθαρίστε τη συσκευή όπως περιγράφεται στο κεφάλαιο «Καθαρισμός και φροντίδα».
- 2) Τοποθετήστε τη συσκευή σε μία επίπεδη επιφάνεια.
- 3) Ξετυλίξτε το καλώδιο τροφοδοσίας από τη διάταξητύλιξης καλωδίου ❸ και περάστε το μέσα από την εγκοπή στο άκρο του περιβλήματος.
- 4) Εισαγάγετε το βύσμα στην πρίζα.

Η συσκευή είναι πλέον έτοιμη για λειτουργία.

Άλεσμα κόκκων καφέ για καφέ φίλτρο

- 1) Αφαιρέστε το καπάκι ❶ από τη μονάδα κινητήρα ❷.
- 2) Προσθέστε την επιθυμητή ποσότητα κόκκων καφέ.

ΥΠΟΔΕΙΞΗ

- Μην ξεπερνάτε τη μέγιστη ποσότητα πλήρωσης των 70 γρ. Διαφορετικά, δεν αλέθονται σωστά οι κόκκοι καφέ. Τα 70 γρ. αντιστοιχούν περ. σε 8 κουταλιές της σούπας κόκκων καφέ!
- Για ένα φλιτζάνι καφέ χρειάζεστε περ. 6 - 8 γρ. σκόνης καφέ. Λάβετε, επίσης, υπόψη τις υποδείξεις στις οδηγίες χρήσης της καφετιέρας.

- 3) Τοποθετήστε το καπάκι ❶ στη μονάδα κινητήρα ❷ με τέτοιο τρόπο, ώστε το βέλος ▼ στο καπάκι ❶ να δείχνει προς το σύμβολο ☐ στη μονάδα κινητήρα ❷. Περιστρέψτε το καπάκι ❶ δεξιόστροφα, μέχρι το βέλος ▼ να δείχνει στο σύμβολο ☐. Το καπάκι ❶ ασφαλίζει αισθητά.
- 4) Πατήστε παρατεταμένα το διακόπτη ❸ έως ότου επιτευχθεί ο επιθυμητός βαθμός αλέσματος των κόκκων καφέ (περ. 30 δευτερόλεπτα).

ΥΠΟΔΕΙΞΗ

- Σε περίπτωση συσσώρευσης σκόνης καφέ στο εσωτερικό άκρο της συσκευής κατά τη διάρκεια του αλέσματος, την οποία δεν μπορεί να πιάσει πλέον η λεπίδα ❹, ανακινήστε ελαφρώς τη συσκευή, ώστε να πέσει η σκόνη καφέ.

Ο βαθμός αλέσματος του καφέ επηρεάζεται από την ποσότητα των κόκκων καφέ που έχετε προσθέσει και από τη διάρκεια του αλέσματος.

Όσο περισσότερο αλέθετε τον καφέ, τόσο πιο λεπτή θα είναι η σκόνη καφέ. Οι συντομότεροι χρόνοι αλέσματος έχουν ως αποτέλεσμα πιο χοντροκομμένη σκόνη καφέ.

Βαθμός αλέσματος	Προτεινόμενη ποσότητα κόκκων καφέ	Χρόνος σε δευτερόλεπτα
Χοντρό	70 γρ. (περ. 8 ΚΣ)	30 δευτ.
Μέτριο	45 γρ. (περ. 5 ΚΣ)	35 δευτ.
Λεπτό	36 γρ. (περ. 4 ΚΣ)	45 δευτ.

Οι παραπάνω τιμές είναι ενδεικτικές.

ΥΠΟΔΕΙΞΗ

- Λάβετε, επίσης, υπόψη τις υποδείξεις σχετικά με το βαθμό αλέσματος στις οδηγίες χρήσης της καφετιέρας σας.
- 5) Αφήστε το διακόπτη ❸ όταν επιτευχθεί ο επιθυμητός βαθμός αλέσματος και περιμένετε, έως ότου ακινητοποιηθεί η λεπίδα ❹.
 - 6) Περιστρέψτε το καπάκι ❶ αριστερόστροφα μέχρι το βέλος ▼ στο καπάκι ❶ να δείχνει προς το σύμβολο ☐ στη μονάδα κινητήρα ❷ και αφαιρέστε το.

7) Αποσυνδέστε το βύσμα από την πρίζα.

Τώρα μπορείτε να απομακρύνετε τη σκόνη καφέ με ένα κουτάλι ή με κάτι παρόμοιο. Μπορείτε να απομακρύνετε τα υπολείμματα με το πινέλο καθαρισμού 6.

Κόκκοι εσπρέσο για άλεσμα εσπρέσο

Η σκόνη καφέ για εσπρέσο απαιτεί πάντα ιδιαίτερα υψηλό βαθμό αλέσματος. Αλέθετε τους ειδικούς κόκκους εσπρέσο για την προετοιμασία εσπρέσο, σύμφωνα με τη διάρκεια (περ. 45 δευτερόλεπτα).

ΥΠΟΔΕΙΞΗ

- Για να επιτευχθεί ο προτεινόμενος βαθμός αλέσματος για εσπρέσο, προτείνεται το άλεσμα το πολύ 36 γρ. κόκκων καφέ εσπρέσο (περ. 4 ΚΣ) για περ. 45 δευτερόλεπτα.

Για το άλεσμα κόκκων εσπρέσο ακολουθείτε ακριβώς την ίδια διαδικασία που περιγράφεται στο Κεφάλαιο «Άλεσμα κόκκων καφέ για καφέ φίλτρου». Ακολουθείτε τις παρακάτω ενδεικτικές τιμές:

- 18 γρ. (περ. 2 ΚΣ) κόκκοι εσπρέσο για 2 φλιτζάνια εσπρέσο.
- 36 γρ. (περ. 4 ΚΣ) κόκκοι εσπρέσο για 4 φλιτζάνια εσπρέσο.

Καθαρισμός και φροντίδα

⚠ ΚΙΝΔΥΝΟΣ ΗΛΕΚΤΡΟΠΛΗΓΙΑΣ

- Αποσυνδέετε πάντα το βύσμα από την πρίζα, προτού καθαρίσετε τη συσκευή.

 Δεν επιτρέπεται σε καμία περίπτωση να βυθίζετε τη μονάδα κινητήρα 2 της συσκευής σε υγρά και δεν επιτρέπεται να αφήνετε υγρά να εισρέουν στο περίβλημα της μονάδας κινητήρα 2.

⚠ ΠΡΟΕΙΔΟΠΟΙΗΣΗ! ΚΙΝΔΥΝΟΣ ΤΡΑΥΜΑΤΙΣΜΟΥ!

- Να είστε προσεκτικοί κατά το χειρισμό της λεπίδας 4. Είναι πολύ κοφτερή!
- ◆ Καθαρίζετε τη μονάδα κινητήρα 2 από μέσα μετά από κάθε χρήση με ένα στεγνό, μαλακό πανί ή ένα πινέλο καθαρισμού 6.
- ◆ Καθαρίζετε τη μονάδα κινητήρα 2 από έξω μετά από κάθε χρήση με ένα νωπό πανί. Στην περίπτωση επίμονων λεκέδων, προσθέτετε στο πανί λίγο ήπιο απορρυπαντικό. Στη συνέχεια, σκουπίζετε με καθαρό νερό. Βεβαιωθείτε ότι δεν υπάρχουν υπολείμματα απορρυπαντικού στη συσκευή και ότι η συσκευή έχει στεγνώσει πλήρως πριν από την εκ νέου χρήση.
- ◆ Καθαρίστε το καπάκι 1 με χλιαρό νερό και μικρή ποσότητα απορρυπαντικού.

ΥΠΟΔΕΙΞΗ

-  Μπορείτε να πλένετε το καπάκι 1 και σε πλυντήριο πιάτων. Προτιμήστε το επάνω καλάθι του πλυντηρίου πιάτων και φροντίστε ώστε να μην μαγκώσει.
- ◆ Βεβαιωθείτε ότι όλα τα υπολείμματα απορρυπαντικού έχουν απομακρυνθεί και ότι το καπάκι 1 είναι εντελώς στεγνό, προτού ενεργοποιήσετε εκ νέου τη συσκευή.

Αποθήκευση

- ◆ Καθαρίζετε τη συσκευή επιμελώς πριν από τη φύλαξη της.
- ◆ Τυλίξτε το καλώδιο τροφοδοσίας γύρω από τη διάταξη τυλίξης καλωδίου 5. Περάστε το άκρο του καλωδίου τροφοδοσίας με το βύσμα μέσα από την εγκοπή στο περίβλημα.
- ◆ Φυλάτε τη συσκευή σε έναν καθαρό και στεγνό χώρο.

Απόρριψη



Σε καμία περίπτωση μην απορρίψετε τη συσκευή στα οικιακά απορρίμματα. Αυτό το προϊόν υπόκειται στην Ευρωπαϊκή Οδηγία 2012/19/ΕΥ.

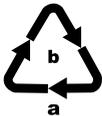
Απορρίψτε τη συσκευή μέσω μιας εγκεκριμένης επιχείρησης απόρριψης ή μέσω της κοινοτικής επιχείρησης απόρριψης. Τηρείτε τους ισχύοντες κανονισμούς. Σε περίπτωση αμφιβολιών, επικοινωνείτε με την αρμόδια επιχείρηση απόρριψης.



Για πληροφορίες σχετικά με τις δυνατότητες απόρριψης του προϊόντος που δεν χρησιμοποιείται πλέον, απευθυνθείτε στις αρμόδιες υπηρεσίες της κοινότητας ή του δήμου σας.



Η συσκευασία αποτελείται από φιλικά προς το περιβάλλον υλικά, τα οποία μπορείτε να απορρίψετε μέσω των τοπικών σημείων ανακύκλωσης.



Απορρίψτε τη συσκευασία με φιλικό τρόπο προς το περιβάλλον. Λαμβάνετε υπόψη τη σήμανση στα διαφορετικά υλικά συσκευασίας και, εφόσον απαιτείται, ξεχωρίζετε τα. Τα υλικά συσκευασίας φέρουν σήμανση με συντομογραφίες (a) και ψηφία (b) με την εξής σημασία: 1-7: Πλαστικά, 20-22: Χαρτί και χαρτόνι, 80-98: Συνθετικά υλικά

Εγγύηση της Kompnass Handels GmbH

Αξιότιμη πελάτισσα, αξιότιμη πελάτη,

Η παρούσα συσκευή διατίθεται 3 χρόνια εγγύηση από την ημερομηνία αγοράς. Στην περίπτωση ελλείψεων στο προϊόν έχετε νομικά δικαιώματα έναντι του πωλητή του προϊόντος. Αυτά τα νομικά δικαιώματα δεν περιορίζονται μέσω της κατωτέρω αναφερόμενης εγγύησης.

Προϋποθέσεις εγγύησης

Η περίοδος εγγύησης ξεκινά την ημερομηνία αγοράς. Φυλάσσετε την απόδειξη αγοράς. Απαιτείται ως αποδεικτικό αγοράς.

Εάν, εντός τριών ετών από την ημερομηνία αγοράς, παρατηρηθεί κάποιο σφάλμα υλικού ή κατασκευής στο προϊόν, θα επισκευάσουμε ή θα αντικαταστήσουμε (κατόπιν κρίσης μας) το προϊόν δωρεάν ή θα σας επιστραφεί το ποσό αγοράς. Η παρούσα εγγύηση προϋποθέτει ότι η ελαττωματική συσκευή και η απόδειξη αγοράς θα υποβληθούν μαζί με μια σύντομη περιγραφή αναφορικά με το πού βρίσκεται η έλλειψη και τότε παρατηρήθηκε, εντός της περιόδου των τριών ετών.

Εάν το ελάττωμα καλύπτεται από την εγγύησή μας, θα λάβετε το επισκευασμένο ή ένα νέο προϊόν.

Περίοδος εγγύησης και νομικές απαιτήσεις λόγω ελλείψεων

Ο χρόνος εγγύησης δεν παρατείνεται μέσω της παροχής εγγύησης. Αυτό ισχύει και για εξαρτήματα, τα οποία έχουν αντικατασταθεί και επισκευαστεί. Ενδεχόμενες ήδη υπάρχουσες ζημιές και ελλείψεις κατά την αγορά πρέπει να γνωστοποιούνται αμέσως μετά την αποσυσκευασία. Μετά τη λήξη του χρόνου εγγύησης, τυχόν εμφανιζόμενες επισκευές χρεώνονται.

Εύρος εγγύησης

Η συσκευή κατασκευάστηκε σύμφωνα με αυστηρές οδηγίες ποιότητας και ελέγχθηκε προσεκτικά πριν από την αποστολή.

Η εγγύηση ισχύει για σφάλματα υλικού ή κατασκευής. Η παρούσα εγγύηση δεν καλύπτει εξαρτήματα του προϊόντος που υπόκεινται σε φυσιολογική φθορά και, ως εκ τούτου, θεωρούνται αναλώσιμα εξαρτήματα ή ζημιές σε εύθραυστα εξαρτήματα, π.χ. διακόπτες, συσσωρευτές ή γυάλινα εξαρτήματα.

Η παρούσα εγγύηση ακυρώνεται εάν προκληθεί ζημιά στο προϊόν, εάν δεν γίνεται σωστή χρήση ή συντήρηση. Για μια σωστή χρήση του προϊόντος πρέπει να τηρούνται επακριβώς οι αναφερόμενες υποδείξεις στις οδηγίες χειρισμού. Σκοποί χρήσης και χειρισμοί που δεν συνιστώνται ή για τους οποίους υπάρχει προειδοποίηση πρέπει απαραίτητα να αποφεύγονται.

Το προϊόν προορίζεται μόνο για ιδιωτική και όχι για επαγγελματική χρήση. Σε περίπτωση κακής μεταχείρισης και ακατάλληλης χρήσης, χρήσης βίας και παρεμβάσεων, οι οποίες δεν διεξήχθησαν από το εξουσιοδοτημένο μας τμήμα σέρβις, η εγγύηση παύει να ισχύει.

Διαδικασία σε περίπτωση εγγύησης

Για την εξασφάλιση γρήγορης επεξεργασίας του ζητήματός σας, τηρείτε τις ακόλουθες υποδείξεις:

- Για όλες τις ερωτήσεις έχετε έτοιμη την απόδειξη αγοράς και τον κωδικό προϊόντος (π.χ. IAN 123456_7890) ως απόδειξη για την αγορά.
- Για τον κωδικό προϊόντος, ανατρέξτε στην πινακίδα τύπου στο προϊόν, σε μια ετικέτα στο προϊόν, στο εξώφυλλο των οδηγιών χρήσης (κάτω αριστερά) ή σε ένα αυτοκόλλητο στην πίσω ή κάτω πλευρά του προϊόντος.
- Εάν προκύψουν σφάλματα λειτουργίας ή άλλες ελλείψεις, επικοινωνήστε κατ' αρχήν με το ακόλουθο αναφερόμενο τμήμα σέρβις **τηλεφωνικά ή με E-Mail.**

- Ένα προϊόν που θεωρείται ελαττωματικό μπορεί να το αποστείλετε ατελώς στην αναφερόμενη διεύθυνση του σέρβις επισυνάπτοντας την απόδειξη αγοράς (απόδειξη ταμείου) και αναφέροντας που βρίσκεται η έλλειψη και τότε εμφανίστηκε.



Στην ιστοσελίδα www.lidl-service.com μπορείτε να πραγματοποιήσετε λήψη των παρόντων ή άλλων οδηγιών χρήσης, βίντεο προϊόντων και λογισμικού.

Με αυτόν τον κωδικό QR μεταβαίνει απευθείας στη σελίδα εξυπηρέτησης Lidl (www.lidl-service.com) και εισαγάγοντας τον κωδικό προϊόντος (IAN) 353473_2007 μπορείτε να ανοίξετε τις αντίστοιχες οδηγίες χρήσης.

Σέρβις

GR Σέρβις Ελλάδα
Tel.: 801 5000 019 (0,03 EUR/Min.)
E-Mail: kompernass@lidl.gr

CY Σέρβις Κύπρος
Tel.: 8009 4409
E-Mail: kompernass@lidl.com.cy

IAN 353473_2007

Εισαγωγίας

Η ακόλουθη διεύθυνση δεν είναι διεύθυνση σέρβις. Επικοινωνήστε, κατ' αρχήν, με την αναφερόμενη υπηρεσία σέρβις.

KOMPERNASS HANDELS GMBH
BURGSTRASSE 21
44867 BOCHUM
GERMANIA
www.kompernass.com

Inhaltsverzeichnis

Einleitung	18
Bestimmungsgemäßer Gebrauch	18
Lieferumfang	18
Gerätebeschreibung	18
Technische Daten	18
Sicherheitshinweise	19
Aufstellen/ Inbetriebnahme	21
Kaffeebohnen für Filterkaffee mahlen	21
Espressobohnen für Espresso mahlen	22
Reinigen und Pflegen	22
Lagerung	23
Entsorgung	23
Garantie der Kompernaß Handels GmbH	23
Service	24
Importeur	24

Einleitung

Herzlichen Glückwunsch zum Kauf Ihres neuen Gerätes.

Sie haben sich damit für ein hochwertiges Produkt entschieden. Die Bedienungsanleitung ist Bestandteil dieses Produkts. Sie enthält wichtige Hinweise für Sicherheit, Gebrauch und Entsorgung. Machen Sie sich vor der Benutzung des Produkts mit allen Bedien- und Sicherheitshinweisen vertraut. Benutzen Sie das Produkt nur wie beschrieben und für die angegebenen Einsatzbereiche. Händigen Sie alle Unterlagen bei Weitergabe des Produkts an Dritte mit aus.

Bestimmungsgemäßer Gebrauch

Dieses Gerät dient ausschließlich dem Mahlen von Kaffee-/Espressobohnen. Dieses Gerät ist ausschließlich für die Benutzung in privaten Haushalten bestimmt. Benutzen Sie es nicht gewerblich.

Lieferumfang

Elektrische Kaffeemühle

Reinigungspinsel

Bedienungsanleitung

Gerätebeschreibung

- 1 Deckel
- 2 Motorblock
- 3 Schalter
- 4 Messer
- 5 Kabelaufwicklung
- 6 Reinigungspinsel

Technische Daten

Nennspannung: 220–240 V ~ (Wechselstrom),
50/60 Hz

Aufnahmeleistung: 150 W

max. Einfüllmenge: 70 g

min. Einfüllmenge: 7 g

Schutzklasse: II /  (Doppelisolierung)



Alle Teile dieses Gerätes, die mit Lebensmitteln in Berührung kommen, sind lebensmittelgerecht.

HINWEIS

- ▶ Nach viermaliger Benutzung zum Mahlen von Kaffeepulver (4 x 30 Sekunden mit je 1 Minute Pause dazwischen) hintereinander, empfehlen wir eine Pause von 60 Minuten, damit das Gerät abkühlen kann.
- ▶ Nach zweimaliger Benutzung zum Mahlen von Espressopulver (2 x 45 Sekunden mit je 1 Minute Pause dazwischen) hintereinander, empfehlen wir eine Pause von 60 Minuten, damit das Gerät abkühlen kann.

Sicherheitshinweise

STROMSCHLAGGEFAHR

- ▶ Schließen Sie das Gerät nur an eine vorschriftsmäßig installierte Netzsteckdose mit einer Netzspannung von 220 - 240 V ~, 50/60 Hz an.
- ▶ Lassen Sie beschädigte Netzstecker oder Netzkabel sofort von autorisiertem Fachpersonal oder dem Kundenservice austauschen, um Gefährdungen zu vermeiden.
- ▶ Ziehen Sie bei Betriebsstörungen und bevor Sie das Gerät reinigen den Netzstecker aus der Netzsteckdose.
- ▶ Ziehen Sie das Netzkabel stets am Stecker aus der Netzsteckdose, ziehen Sie nicht am Kabel selbst.
- ▶ Knicken oder quetschen Sie das Netzkabel nicht und verlegen Sie das Netzkabel so, dass niemand darauf treten oder darüber stolpern kann.
- ▶ Sie dürfen das Gerät keiner Feuchtigkeit aussetzen und nicht im Freien benutzen. Falls doch einmal Flüssigkeit in das Gerätegehäuse gelangt, ziehen Sie sofort den Netzstecker des Geräts aus der Netzsteckdose und lassen Sie es von qualifiziertem Fachpersonal reparieren.
- ▶ Fassen Sie den Motorblock, das Netzkabel oder den Netzstecker nie mit nassen Händen an.
- ▶ Wenn das Netzkabel oder der Motorblock beschädigt sind, müssen Sie das Gerät von Fachpersonal reparieren lassen, bevor Sie es erneut verwenden.
- ▶ Sie dürfen das Motorblock-Gehäuse des Gerätes nicht öffnen. In diesem Falle ist die Sicherheit nicht gegeben und die Gewährleistung erlischt.
- ▶ Trennen Sie das Gerät sofort nach dem Gebrauch vom Stromnetz. Nur wenn Sie den Netzstecker aus der Netzsteckdose ziehen, ist es vollständig stromfrei.

STROMSCHLAGGEFAHR



Sie dürfen den Motorblock des Gerätes keinesfalls in Flüssigkeit tauchen und keine Flüssigkeiten in das Gehäuse des Motorblocks gelangen lassen.

WARNUNG! VERLETZUNGSGEFAHR!

- ▶ Dieses Gerät darf nicht von Kindern benutzt werden.
- ▶ Bewahren Sie das Gerät und sein Netzkabel außer Reichweite von Kindern auf.
- ▶ Dieses Gerät kann von Personen mit reduzierten physischen, sensorischen oder mentalen Fähigkeiten oder Mangel an Erfahrung und/oder Wissen benutzt werden, wenn sie beaufsichtigt oder bezüglich des sicheren Gebrauchs des Gerätes unterwiesen wurden und die daraus resultierenden Gefahren verstanden haben.
- ▶ Kinder dürfen nicht mit dem Gerät spielen.
- ▶ Beim Umgang mit dem extrem scharfen Messer besteht Verletzungsgefahr. Setzen Sie das Gerät nach Benutzung und Reinigung wieder zusammen, damit Sie sich nicht am freiliegenden Messer verletzen. Machen Sie das Messer für Kinder unzugänglich.
- ▶ Entnehmen Sie niemals die Kaffeebohnen aus dem Gerät, solange sich das Messer noch dreht. Verletzungsgefahr!
- ▶ Warten Sie, bis das Messer steht, bevor Sie den Deckel abnehmen. Greifen Sie niemals in das noch rotierende Messer! Verletzungsgefahr!
- ▶ Das Gerät und seine Anschlussleitung sind von Kindern fernzuhalten.
- ▶ Das Gerät ist bei nicht vorhandener Aufsicht und vor dem Zusammenbau, dem Auseinandernehmen oder Reinigen stets vom Netz zu trennen.
- ▶ Gebrauchen Sie dieses Gerät nur wie in dieser Bedienungsanleitung beschrieben. Missbrauchen Sie es nicht für andere Zwecke.
- ▶ Bei Missbrauch des Gerätes besteht Verletzungsgefahr.

ACHTUNG! SACHSCHADEN!

- Versuchen Sie nicht, Eiswürfel mit diesem Gerät zu zerkleinern! Das führt zu Schäden am Gerät!

HINWEIS

- Es ist keine Aktion seitens der Benutzer erforderlich, um das Produkt zwischen 50 und 60 Hz umzustellen. Das Produkt passt sich sowohl für 50 als auch für 60 Hz an.

Aufstellen / Inbetriebnahme

- 1) Reinigen Sie das Gerät wie im Kapitel „Reinigen und Pflegen“ beschrieben.
- 2) Stellen Sie das Gerät auf einen ebenen Untergrund.
- 3) Wickeln Sie das Netzkabel von der Kabelaufwicklung **5** und führen Sie das Kabel durch die Aussparung am Gehäuse- rand.
- 4) Stecken Sie den Netzstecker in eine Netzsteckdose.

Das Gerät ist nun betriebsbereit.

Kaffeebohnen für Filterkaffee mahlen

- 1) Nehmen Sie den Deckel **1** vom Motorblock **2** ab.
- 2) Füllen Sie die gewünschte Menge Kaffeebohnen ein.

HINWEIS

- Füllen Sie nicht mehr als 70 g Kaffeebohnen in das Gerät. Die Kaffeebohnen werden ansonsten nicht richtig gemahlen. 70 g entsprechen ca. 8 Esslöffel Kaffeebohnen!
- Für eine Tasse Kaffee benötigen Sie ca. 6 – 8 g Kaffeepulver. Beachten Sie auch die Hinweise in der Bedienungsanleitung der Kaffeemaschine.

- 3) Setzen Sie den Deckel **1** so auf den Motorblock **2** auf, dass der Pfeil ▼ am Deckel **1** auf das -Symbol am Motorblock **2** weist. Drehen Sie den Deckel **1** im Uhrzeigersinn zu, bis der Pfeil ▼ auf das -Symbol weist. Der Deckel **1** rastet spürbar ein.
- 4) Drücken und halten Sie den Schalter **3**, bis die Kaffeebohnen den Mahlgrad erreicht haben, den Sie wünschen (ca. 30 Sekunden).

HINWEIS

- Sollte sich Kaffeepulver am inneren Rand des Gerätes während des Mahlens auftürmen und nicht mehr vom Messer **4** erfasst werden, schütteln Sie das Gerät leicht, so dass das Kaffeepulver wieder herunterfällt.

Der Mahlgrad des Kaffees wird durch die Menge der eingefüllten Kaffeebohnen und die Dauer des Mahlens beeinflusst.

Je länger Sie den Kaffee mahlen, desto feiner wird das Kaffeepulver. Kürzere Mahlzeiten ergeben gröberes Kaffeepulver.

Mahlgrad	Empfohlene Menge Kaffeebohnen	Zeit in Sek.
Grob	70 g (ca. 8 EL)	30 s
Mittel	45 g (ca. 5 EL)	35 s
Fein	36 g (ca. 4 EL)	45 s

Es handelt sich hierbei um grobe Richtwerte.

HINWEIS

- ▶ Beachten Sie auch immer die Hinweise über den Mahlgrad in der Bedienungsanleitung Ihrer Kaffeemaschine.

- 5) Lassen Sie den Schalter **3** los, wenn der gewünschte Mahlgrad erreicht ist und warten Sie, bis das Messer **4** still steht.
- 6) Drehen Sie den Deckel **1** gegen den Uhrzeigersinn, bis der Pfeil ▼ am Deckel **1** auf das -Symbol am Motorblock **2** weist und nehmen Sie ihn ab.
- 7) Ziehen Sie den Netzstecker aus der Netzsteckdose.

Sie können nun das Kaffeepulver mit einem Löffel o. Ä. entnehmen. Reste können Sie mit dem Reinigungspinsel **6** herauschieben.

Espressobohnen für Espresso mahlen

Kaffeepulver für Espresso erfordert immer einen sehr feinen Mahlgrad. Mahlen Sie die speziellen Espressobohnen für die Zubereitung von Espresso entsprechend lange (ca. 45 Sekunden).

HINWEIS

- ▶ Um den erforderlichen Mahlgrad für Espresso zu erhalten, empfehlen wir maximal 36 g Espressobohnen (ca. 4 EL) für ca. 45 Sekunden zu mahlen.

Verfahren Sie für das Mahlen von Espressobohnen genauso, wie im Kapitel „Kaffeebohnen für Filterkaffee mahlen“ beschrieben. Orientieren Sie sich an folgenden Richtwerten:

- 18 g (ca. 2 EL) Espressobohnen für 2 Tassen Espresso.
- 36 g (ca. 4 EL) Espressobohnen für 4 Tassen Espresso.

Reinigen und Pflegen

⚠ STROMSCHLAGGEFAHR

- ▶ Ziehen Sie immer den Netzstecker aus der Netzsteckdose, bevor Sie das Gerät reinigen.
-  Sie dürfen den Motorblock **2** des Gerätes keinesfalls in Flüssigkeit tauchen und keine Flüssigkeiten in das Gehäuse des Motorblocks **2** gelangen lassen.

⚠ WARNUNG! VERLETZUNGSGEFAHR!

- ▶ Seien Sie vorsichtig im Umgang mit dem Messer **4**. Es ist sehr scharf!
- ◆ Reinigen Sie den Motorblock **2** von innen nach jeder Benutzung mit einem trockenen, weichen Tuch oder dem Reinigungspinsel **6**.
- ◆ Reinigen Sie den Motorblock **2** von außen nach jeder Benutzung mit einem feuchten Tuch. Geben Sie bei hartnäckigen Verschmutzungen ein mildes Spülmittel auf das Tuch. Wischen Sie dann mit klarem Wasser nach. Stellen Sie sicher, dass sich keine Spülmittelreste am Gerät befinden und dass das Gerät vor der erneuten Benutzung vollständig trocken ist.
- ◆ Spülen Sie den Deckel **1** in lauwarmem Wasser mit etwas Spülmittel.

HINWEIS

- ▶  Der Deckel **1** kann auch in der Spülmaschine gereinigt werden. Legen Sie ihn möglichst in den oberen Korb der Spülmaschine und achten Sie darauf, ihn nicht einzuklemmen.
- ◆ Stellen Sie sicher, dass alle Spülmittelreste entfernt sind und der Deckel **1** vollständig trocken ist, bevor Sie das Gerät wieder in Betrieb nehmen.

Lagerung

- ◆ Reinigen Sie das Gerät vor dem Verstauen gründlich.
- ◆ Wickeln Sie das Netzkabel um die Kabelaufwicklung ⑤. Führen Sie das Ende des Netzkabels mit dem Netzstecker durch die Aussparung am Gehäuse.
- ◆ Bewahren Sie das Gerät an einem sauberen und trockenen Ort auf.

Entsorgung



Werfen Sie das Gerät keinesfalls in den normalen Hausmüll. Dieses Produkt unterliegt der europäischen Richtlinie 2012/19/EU.

Entsorgen Sie das Gerät über einen zugelassenen Entsorgungsbetrieb oder über Ihre kommunale Entsorgungseinrichtung. Beachten Sie die aktuell geltenden Vorschriften. Setzen Sie sich im Zweifelsfall mit Ihrer Entsorgungseinrichtung in Verbindung.



Möglichkeiten zur Entsorgung des ausgedienten Produkts erfahren Sie bei Ihrer Gemeinde- oder Stadtverwaltung.



Die Verpackung besteht aus umweltfreundlichen Materialien, die Sie über die örtlichen Recyclingstellen entsorgen können.



Beachten Sie die Kennzeichnung auf den verschiedenen Verpackungsmaterialien und trennen Sie diese gegebenenfalls gesondert. Die Verpackungsmaterialien sind gekennzeichnet mit Abkürzungen (a) und Ziffern (b) mit folgender Bedeutung: 1–7: Kunststoffe, 20–22: Papier und Pappe, 80–98: Verbundstoffe.

Garantie der Kompernaß Handels GmbH

Sehr geehrte Kundin, sehr geehrter Kunde,

Sie erhalten auf dieses Gerät 3 Jahre Garantie ab Kaufdatum. Im Falle von Mängeln dieses Produkts stehen Ihnen gegen den Verkäufer des Produkts gesetzliche Rechte zu. Diese gesetzlichen Rechte werden durch unsere im Folgenden dargestellte Garantie nicht eingeschränkt.

Garantiebedingungen

Die Garantiefrist beginnt mit dem Kaufdatum. Bitte bewahren Sie den Kassenbon gut auf. Dieser wird als Nachweis für den Kauf benötigt.

Tritt innerhalb von drei Jahren ab dem Kaufdatum dieses Produkts ein Material- oder Fabrikationsfehler auf, wird das Produkt von uns – nach unserer Wahl – für Sie kostenlos repariert, ersetzt oder der Kaufpreis erstattet. Diese Garantieleistung setzt voraus, dass innerhalb der Dreijahresfrist das defekte Gerät und der Kaufbeleg (Kassenbon) vorgelegt und schriftlich kurz beschrieben wird, worin der Mangel besteht und wann er aufgetreten ist.

Wenn der Defekt von unserer Garantie gedeckt ist, erhalten Sie das reparierte oder ein neues Produkt zurück. Mit Reparatur oder Austausch des Produkts beginnt kein neuer Garantiezeitraum.

Garantiezeit und gesetzliche Mängelansprüche

Die Garantiezeit wird durch die Gewährleistung nicht verlängert. Dies gilt auch für ersetzte und reparierte Teile. Eventuell schon beim Kauf vorhandene Schäden und Mängel müssen sofort nach dem Auspacken gemeldet werden. Nach Ablauf der Garantiezeit anfallende Reparaturen sind kostenpflichtig.

Garantieumfang

Das Gerät wurde nach strengen Qualitätsrichtlinien sorgfältig produziert und vor Auslieferung gewissenhaft geprüft.

Die Garantieleistung gilt für Material- oder Fabrikationsfehler. Diese Garantie erstreckt sich nicht auf Produktteile, die normaler Abnutzung ausgesetzt sind und daher als Verschleißteile angesehen werden können oder für Beschädigungen an zerbrechlichen Teilen, z. B. Schalter, Akkus oder Teile, die aus Glas gefertigt sind.

Diese Garantie verfällt, wenn das Produkt beschädigt, nicht sachgemäß benutzt oder gewartet wurde. Für eine sachgemäße Benutzung des Produkts sind alle in der Bedienungsanleitung aufgeführten Anweisungen genau einzuhalten. Verwendungszwecke und Handlungen, von denen in der Bedienungsanleitung abgeraten oder vor denen gewarnt wird, sind unbedingt zu vermeiden.

Das Produkt ist nur für den privaten und nicht für den gewerblichen Gebrauch bestimmt. Bei missbräuchlicher und unsachgemäßer Behandlung, Gewaltanwendung und bei Eingriffen, die nicht von unserer autorisierten Serviceniederlassung vorgenommen wurden, erlischt die Garantie.

Abwicklung im Garantiefall

Um eine schnelle Bearbeitung Ihres Anliegens zu gewährleisten, folgen Sie bitte den folgenden Hinweisen:

- Bitte halten Sie für alle Anfragen den Kassenbon und die Artikelnummer (z. B. IAN 123456_7890) als Nachweis für den Kauf bereit.
- Die Artikelnummer entnehmen Sie bitte dem Typenschild am Produkt, einer Gravur am Produkt, dem Titelblatt der Bedienungsanleitung (unten links) oder dem Aufkleber auf der Rück- oder Unterseite des Produktes.
- Sollten Funktionsfehler oder sonstige Mängel auftreten, kontaktieren Sie zunächst die nachfolgend benannte Serviceabteilung **telefonisch** oder per **E-Mail**.

- Ein als defekt erfasstes Produkt können Sie dann unter Beifügung des Kaufbelegs (Kassenbon) und der Angabe, worin der Mangel besteht und wann er aufgetreten ist, für Sie portofrei an die Ihnen mitgeteilte Serviceanschrift übersenden.



Auf www.lidl-service.com können Sie diese und viele weitere Handbücher, Produktvideos und Installationssoftware herunterladen.

Mit diesem QR-Code gelangen Sie direkt auf die Lidl-Service-Seite (www.lidl-service.com) und können mittels der Eingabe der Artikelnummer (IAN) 353473_2007 Ihre Bedienungsanleitung öffnen.

Service

DE Service Deutschland

Tel.: 0800 5435 111 (kostenfrei
aus dem dt. Festnetz/ Mobilfunknetz)
E-Mail: kompernass@lidl.de

AT Service Österreich

Tel.: 0820 201 222 (0,15 EUR/Min.)
E-Mail: kompernass@lidl.at

CH Service Schweiz

Tel.: 0842 665566 (0,08 CHF/Min.,
Mobilfunk max. 0,40 CHF/Min.)
E-Mail: kompernass@lidl.ch

IAN 353473_2007

Importeur

Bitte beachten Sie, dass die folgende Anschrift keine Serviceanschrift ist. Kontaktieren Sie zunächst die benannte Servicestelle.

KOMPERNASS HANDELS GMBH
BURGSTRASSE 21
44867 BOCHUM
DEUTSCHLAND
www.kompernass.com

KOMPERNASS HANDELS GMBH

BURGSTRASSE 21

44867 BOCHUM

GERMANY

www.kompernass.com

Last Information Update · Έκδοση των πληροφοριών · Stand der Informationen:
09/2020 · Ident.-No.: SKMS150A1-092020-1

IAN 353473_2007